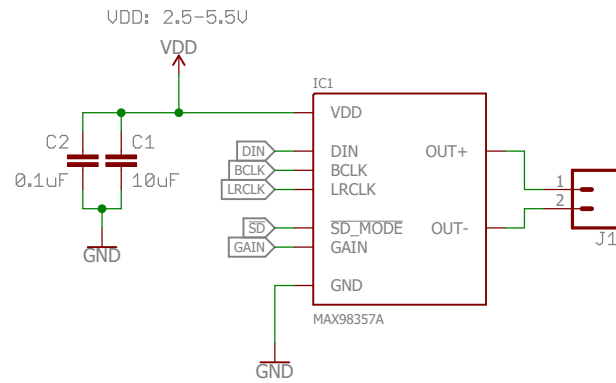
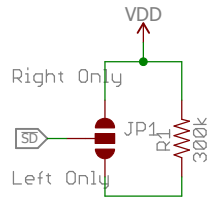


MAX98357A



Jumpers

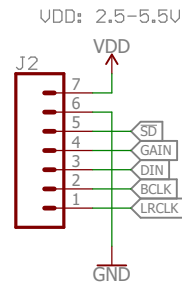
Stereo Output Channel Select



Mono Output (Default) (Left/2 + Right/2)



Connector



Gain Selection	
GAIN_SLOT	GAIN
Connect to GND through 100kΩ resistor	+15 dB
Connect to GND	+12 dB
Unconnected (Default)	+9 dB
Connect to VDD	+6 dB
Connect to VDD through 100kΩ resistor	+3 dB



Released under the Creative Commons

Attribution Share-Alike 4.0 License

<https://creativecommons.org/licenses/by-sa/4.0/>



TITLE: SparkFun_I2S_Audio_Breakout

Design by: Alex Wende

REV:
v10

Date: 8/29/2018 1:57 PM

Sheet: 1/1