

## DESCRIPTION

Demonstration board DC454 is a complete constant-current, constant-voltage battery charger designed to charge one Lithium-Ion cell. The LTC1733 used on this demo board features an internal P-channel power MOSFET with a unique thermal feedback loop that reduces the output current under high ambient temperature and/or high power dissipation conditions. This feature allows the charger to provide higher charge currents under normal conditions and still provide safe charging under abnormal conditions such as high ambient temperature, high input voltage or low battery voltage. The IC is available in a 10-pin MSOP thermally enhanced package featuring an exposed bottom-side metal pad for soldering to the PC board.

Other Features include:

- Preset float voltages of 4.1 and 4.2V $\pm$ 1% (DC364A-A)
- 1.24A Constant Current (can be programmed for other charge currents up to 1.5A)
- 3-hour charge termination timer. This timer can be set for other time periods through a capacitor change. For instance, you may want to use a much shorter period (on the order of 30 seconds) when evaluating the board with a battery simulator instead of a real Li-Ion battery.
- Manual Shutdown
- Low battery drain current when input supply is removed

- No isolation diode or current sense resistor required.
- C/10 Trickle charge for deeply discharged batteries
- Auto recharge when battery voltage drops below pre-set threshold
- Input Power OK LED indicator (ACPR)
- C/10 Charge LED indicator (CHRG)
- Fault LED indicator for “out of temp range” (FAULT)

Small surface mount components are used to minimize board space and height with the circuitry occupying approximately 0.15 square inches of board space with a height of 0.054 inches (1.4mm).

**Table 1. Typical Demo Board Specifications**

|  |  |
|--|--|
| Input Voltage Range $V_{IN}$                       | 4.7V to 7V (upper range limited by PC board dissipation) |
| Output Voltage $V_{BAT}$ (constant voltage mode)   | 4.1 or 4.2V $\pm$ 1% selected by jumper                  |
| Output Current $I_{BAT}$ (constant current mode)   | 1.24A $\pm$ 8%   |
| Output Current $I_{BAT}$ (trickle current mode)    | 120mA $\pm$ 20%  |
| C/10 CHRG LED Threshold Level                      | 125mA $\pm$ 25%  |
| Circuit Board Temperature in Thermal Feedback Mode | 80°C to 85°C   |
| Trickle Charge Threshold Voltage                   | 2.457V   |
| Battery Drain Current with $V_{IN}$ Removed        | <1 $\mu$ A   |

## QUICK START PROCEDURE

To save time, we recommend using a battery simulator (described in Table 2 and Figure 1) If an actual rechargeable Li-Ion battery is used, keep the DC resistance between the charger and the battery to a minimum, as this will affect the charge current in the constant voltage mode.

**Table 2. Test Equipment Required for Demo Board Evaluation**

|   |                              |
|---|------------------------------|
| Lab Power supply for input power  | 0 to 7V, 1.5A                |
| Digital voltmeter for measuring input voltage ( $V_{IN}$ )                          | 3½ digits                    |
| Digital voltmeter for measuring battery voltage ( $V_{BAT}$ )                       | 4½ digits, resolution to 1mV |
| Digital voltmeter for measuring PROG pin voltage                                    | 3½ digits, resolution to 1mV |
| Digital voltmeter for measuring voltage across current sense resistor ( $I_{BAT}$ ) | 100mV range                  |
| 4.1 or 4.2V Rechargeable Li-Ion Cell or Battery Simulator                           |                              |
| Battery Simulator Consists of:  |                              |
| Power supply with coarse and fine output voltage adjust controls                    | 0 to 5V, 2.5A                |
| Power resistor (preload for power supply)   | 2Ω, 10W                      |
| Current sense resistor for measuring charge current                                 | 0.1Ω, 1%, 1W                 |
| Current sense resistor for measuring battery drain current                          | 1k, 1%, 0.5W                 |

## SETUP

Refer to Table 2 and Figure 1 for equipment requirements and proper setup.

- Set jumper JP1 to select the voltage of the cell.  
For 4.2V cell, JP1 should be between the center pin and the top pin; for a 4.1V cell it should be connected to the center and the bottom pin.
- Set jumper JP2 to the upper position, which enables the circuit.
- Set the input power supply to 0V, and then connect it to the  $V_{IN}$  and GND pins of the demo board.

- Set the battery simulator to 0V, and then connect it to the BAT and GND pins.
- Connect the digital voltmeters as shown in the setup diagram to measure  $V_{IN}$ ,  $V_{PROG}$ , charger voltage ( $V_{BAT}$ ) and the charge current ( $I_{BAT}$ ).

## EVALUATION

### Undervoltage Lockout Feature

- Increase the input power supply to approximately 4.0V (battery simulator power supply set for 0V).

The charger output voltage and charge current should be 0. The CHRG and ACPR LEDs should be off, and the FAULT LED should be on. The charger is off due to the undervoltage lockout feature.

### Trickle Current Charge

- Increase the input voltage to 5V and keep the battery simulator power supply at 0V.

The CHRG and ACPR LEDs should now be on, and the FAULT LED should be off. The charger output voltage ( $V_{BAT}$ ) should be approximately 300mV, and the charge current should be about 100mA (10mV on the charge current DVM). This is the trickle charge mode for a deeply discharged battery. Typically, a battery that has not been charged for a long time.

### Constant Current Charge

- Starting at 0V, slowly increase the battery simulator power supply ( $V_{BAT}$ ), observing the charger's output voltage on the DVM.

When the charger's output voltage exceeds approximately 2.4V, the charger will suddenly enter the constant current portion of the charge cycle, resulting in an abrupt jump in the charge current to the programmed value of approximately 1.24A (124mV on the charge current DVM). This is constant current mode.

# DEMO BOARD QUICK START GUIDE DC454

## LITHIUM-ION LINEAR BATTERY CHARGER WITH THERMAL REGULATION

---

### V<sub>PROG</sub> Verification

- With 1.24A charge current flowing into the battery simulator, measure the program pin voltage V<sub>PROG</sub>. This voltage is proportional to charge current with 1.5V indicating full programmed current (1.24A).

### Constant Voltage Charge

1. Continue slowly increasing the battery simulator power supply, thus simulating a battery accepting charge.

The charge current should remain at the programmed value of 1.24A until the charger output voltage is within approximately 10mV of the of the preset charge voltage, at which time the charge current will begin to decrease. This is the beginning of the constant voltage portion of the charge cycle.

2. Continue slowly increasing the battery simulator power supply until the charge current drops to approximately 200mA (20mV on the charge current DVM), then read the charger output voltage. This reading is the charger float voltage which will be either 4.1V±40mV or 4.2V±40mV depending on the location of the SELECT jumper.

### Shutdown

1. Move the SHDN/CHRG jumper JP2 to the center and lower pins.

The charger shuts down dropping the charge current to 0mA. This is the shutdown mode.

2. Move the jumper back to the original location.

### Charge LED, C/10 Charge Near Complete

- Continue to slowly increase the battery simulator power supply while observing the CHRG LED. The LED will go out when the charge current drops to approximately 10% of the programmed charge current of 1.24A. This verifies that the C/10 output is operating correctly.

**NOTE:** The LED current drops from approximately 10mA when the LED is on, to approximately 50µA when the charge current drops to 10%, and drops to 0µA after the timer has timed out. (3 hours when a 0.1µF timing capacitor is used).

At C/10, when the CHRG LED goes out, the battery is about 94% charged. The charger will continue charging for 3 hours (0.1µF timing capacitor) then stop, at which point the battery is 100% charged.

### Recharge

- After the timer has timed out, slowly decrease the battery simulator power supply. At around 3.95V (with jumper JP1 in the 4.2V position), the 1.24A charge current should return. This is the Recharge Threshold Voltage.

**NOTE:** For evaluation purposes, the time can be decreased from the programmed 3 hours to approximately 30 seconds by reducing the timer capacitor (C3) from 0.1µF to 270pF.

### Sleep Mode

- To verify battery drain current in the sleep mode, remove the input supply voltage or shut the supply off, replace the 0.1Ω current sense resistor with a 1kΩ, and set the battery simulator power supply to approximately 4V. The charge current DVM will now read battery drain current with 1mV/µA.

**NOTE:** On this demo board, the thermistor (R6) is replaced with a 10kΩ resistor. Because the board can get quite hot, the thermistor must be located near the battery, not on the pc board.

### Thermal Control Loop

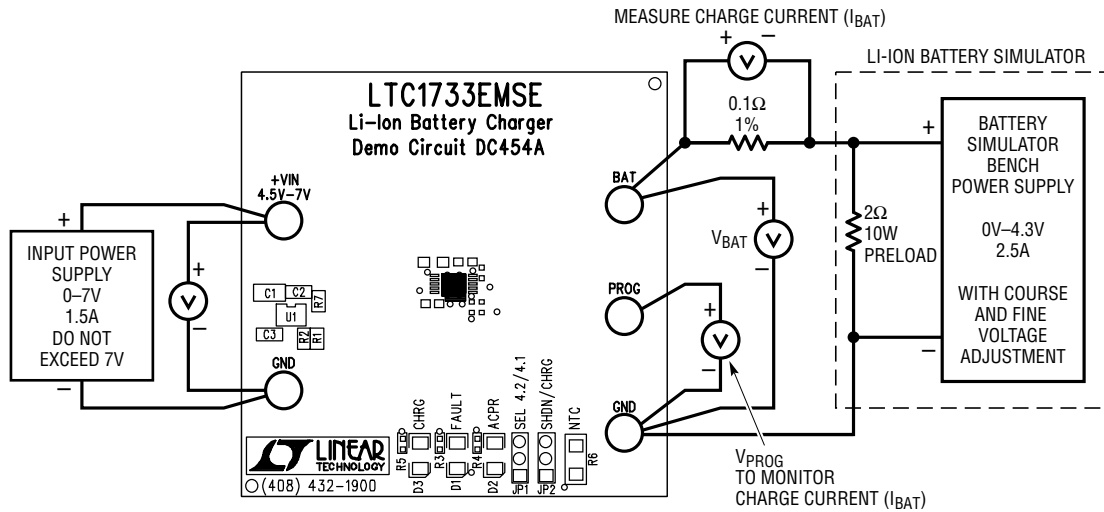
1. Increase the input voltage to about 6.5V, and reduce the battery simulator power supply to around 2.8V.

This causes increased power dissipation, which raises the LTC1733 junction temperature. When the junction temperature reaches approximately 105°C, the charge current decreases enough to maintain the junction temperature at 105°C. (Printed circuit board temperature will be approximately 82°C).

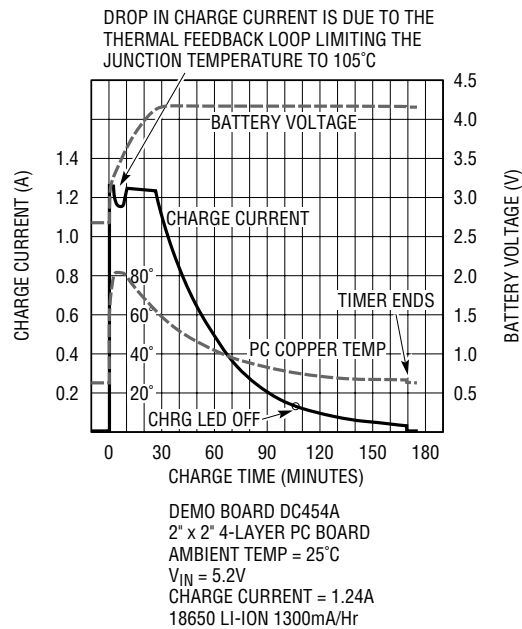
2. Increase the battery simulator voltage or reduce the input voltage to reduce the charger power dissipation and allow the charge current to return to the programmed current of 1.24A.

# DEMO BOARD QUICK START GUIDE DC454

## LITHIUM-ION LINEAR BATTERY CHARGER WITH THERMAL REGULATION



**Figure 1. Proper Measurement Equipment Setup**



**Figure 2. Typical Li-Ion Charge Profile**