



ANATECH ELECTRONICS INC
RF & Microwave Filters & Products

3750 MHz Suspended Stripline High Pass Filter

Part Number: AE3750SSH6554



Electrical Specifications

Cut Off Frequency: 3.75GHz
Pass Band Frequency: 3.75~19GHz
Pass Band Insertion Loss:
 $\leq 2.0\text{dB @ } 3.75\sim 3.95\text{GHz}$
 $\leq 1.0\text{dB @ } 3.95\sim 19\text{GHz}$
Pass Band VSWR: $\leq 1.5:1$
Stop Band Attenuation: $\geq 60\text{dB @ DC}\sim 3.3\text{GHz}$
Impedance: 50 Ohms
Power Handling: $\leq 15\text{W}$

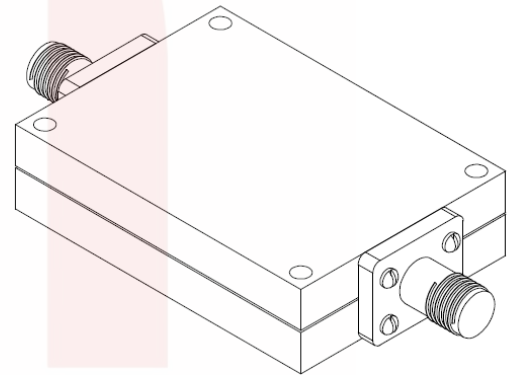
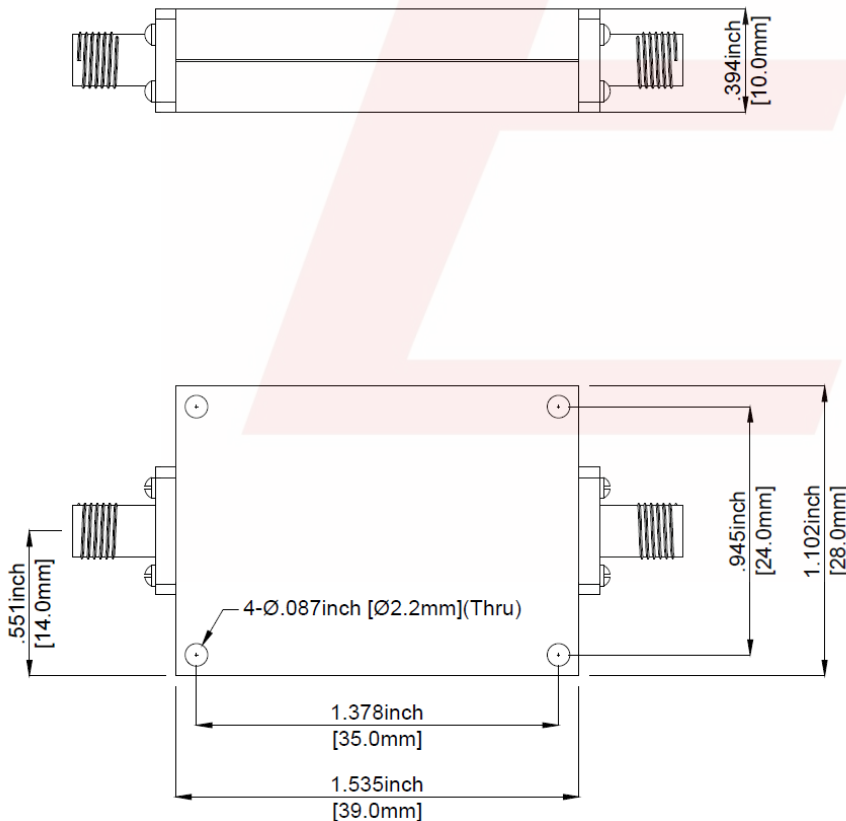
Mechanical

Mounting Method: Through Holes
Connector Type: SMA-Female
Dimensions: 39 x 28 x 10 mm

Environmental

Operating Temperature: -45 to +85° C
Storage Temperature: -55 to +95° C
Shock: 20 G, 11ms
Vibration: 20 G, 5 to 200 Hz

Outline Drawing:



DS-SSH6554-01252019-Rev0