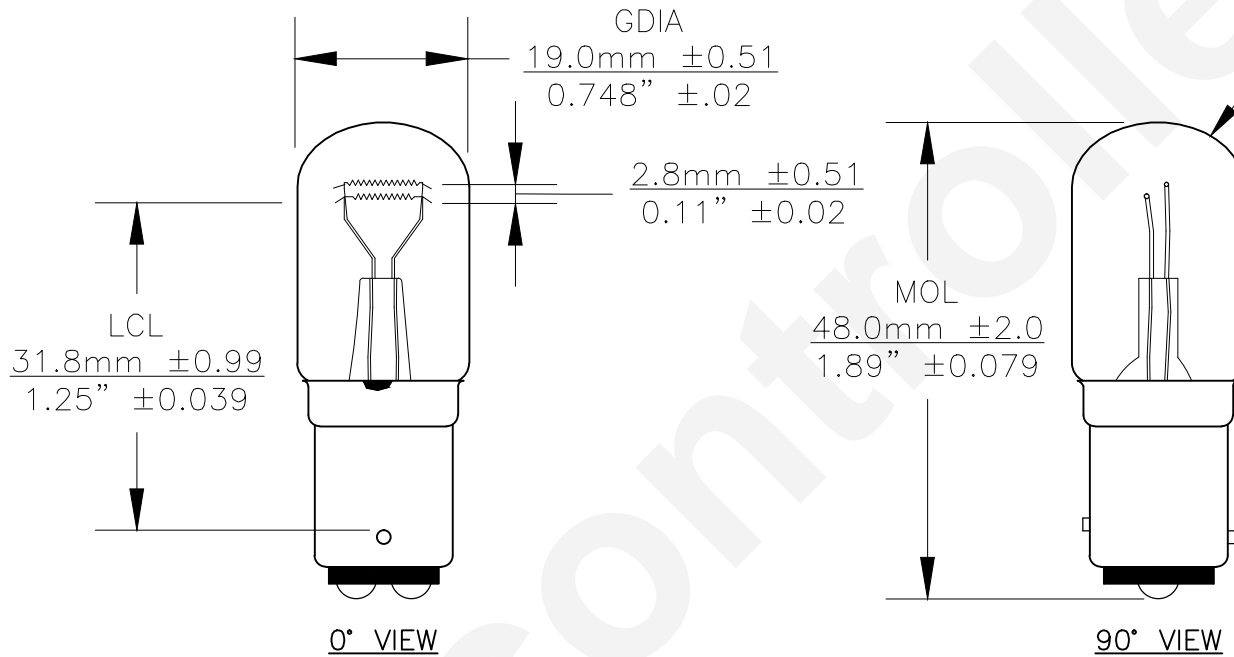


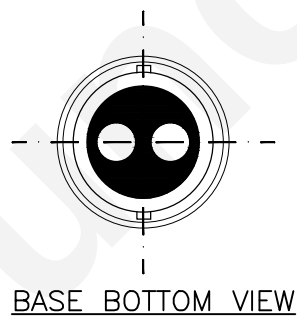


PART NO.	BASE TYPE	DESIGN VOLTS	DESIGN AMPS	MSCD	FILAMENT TYPE	AVERAGE LIFE HOURS	REVISIONS			
							REV #	DESCRIPTION	DATE	APPROVED
3496	D.C. Index BAY15d	12.8V 14.0V	2.1 ± 5% .59 ± 8%	43 ± 10% 3 ± 12%	C-6 C-6	600 5,000	1	ISSUED	11/02/2000	E.S.
							2	REDRAWN	05/22/2006	D.C.
							3	ADDED BULB TYPE NOTE	10/30/2008	D.C.



T-6 BULB SHAPE
Clear Glass

MAIN APPLICATIONS:
Turn Signal, Side
Marker, Tail



Note: Made according to SAE specifications



UNLESS OTHERWISE SPECIFIED: DIMENSIONS ARE IN INCHES TOLERANCES		CEC INDUSTRIES LTD	
DECIMALS .XX ± .05	ANGULAR ± 0.5°	599 BOND STREET	LINCOLNSHIRE, IL 60069
.XXX ± .010	FRACTIONAL ± 1/64	TITLE LIGHT BULB NO. 3496	
DRAWN ELIZABETH SONANES	DATE 11/02/2000	SIZE A	FSCM NO. DWG NO. 3496 REV 3
CHECKED	DESIGN	SCALE	PLOT SCALE SHEET 1 OF 1
MATERIAL	FILE 3496.pdf	DRAWING NOT TO SCALE	