

ITEM	PART#	DESCRIPTION	QTY	UOM
A,B	39012046	4CKT NEW MINI FIT HOUSING 555904P210	2	PC
C	39000124	MiniFit Term Crp Male C Bs Tin 16awg	8	PC
D	--	PAPER PRINTED PAPER WHITE	1	PC

FROM	TO	DESCRIPTION	COLOR
A1	B2	1X16AWG DISC PVC BK UL1015 HOOKUP	BLACK
A2	B1	1X16AWG DISC PVC BK UL1015 HOOKUP	BLACK
A3	B4	1X16AWG DISC PVC BK UL1015 HOOKUP	BLACK
A4	B3	1X16AWG DISC PVC BK UL1015 HOOKUP	BLACK

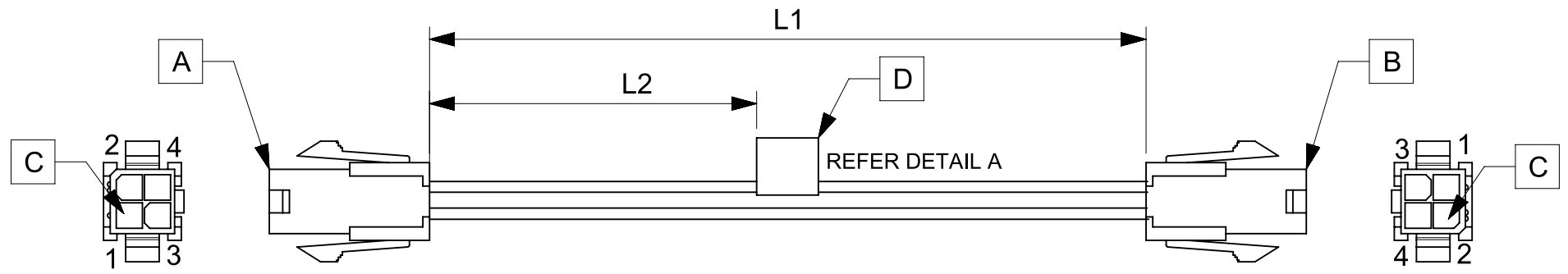


TABLE			
PART NUMBER	L1	L2	TITLE
2153271041	150±8	63 REF	MINIFIT JR DR P-P 4 CIRCUIT 150MM Sn
2153271042	300±10	138 REF	MINIFIT JR DR P-P 4 CIRCUIT 300MM Sn
2153271043	600±10	288 REF	MINIFIT JR DR P-P 4 CIRCUIT 600MM Sn

NOTES

1. Cable assembly must pass 100% continuity and polarity test.
2. Connector view shown is from mating side.
3. Label text must be 2mm max. in height with Arial font.
4. Label must be wrapped in flag type on a single cable.

MOLEX P/N
MOLEX
BATCH WK/YR

DETAIL A

REVISION			
DATE	REV	DESCRIPTION	CHANGER
2020/03/19	A	INITIAL RELEASE	ARAJU

FUNCTIONAL SYMBOLS $\frac{E}{A} = 0$ $\frac{E}{E} = 0$ $\frac{E}{P} = 0$ DIVISIONAL SYMBOLS	THIS DRAWING CONTAINS INFORMATION THAT IS PROPRIETARY TO MOLEX ELECTRONIC TECHNOLOGIES, LLC AND SHOULD NOT BE USED WITHOUT WRITTEN PERMISSION		CURRENT REV DESC:			
	DIMENSION UNITS	SCALE	GENERAL TOLERANCES (UNLESS SPECIFIED)			
	mm	NTS	ANGULAR TOL ± °			
	4 PLACES ±		3 PLACES ±			
3 PLACES ±		2 PLACES ±		EC NO: 638379	PRODUCT CUSTOMER DRAWING DOCUMENT NUMBER: 2153271041 DOC TYPE: PSD DOC PART: 000 REVISION: A	
2 PLACES ±		1 PLACE ±		DRWN: ARAJU 2020/03/19		
1 PLACE ±		0 PLACES ±		CHK'D: RDESAI01 2020/05/28		
DRAFT WHERE APPLICABLE MUST REMAIN WITHIN DIMENSIONS		THIRD ANGLE PROJECTION		APPR: RDESAI01 2020/05/28		
DRAFT WHERE APPLICABLE MUST REMAIN WITHIN DIMENSIONS		DRAWING	SERIES	MATERIAL NUMBER	CUSTOMER	SHEET NUMBER
		A4-SIZE	215327	SEE TABLE	GENERAL MARKET	1 OF 1