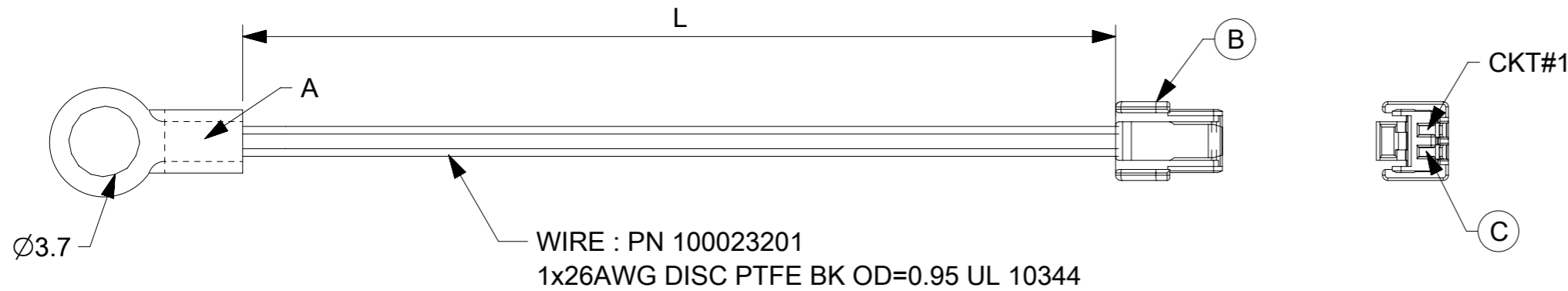


BILL OF MATERIALS:

ITEM	PN	DESCRIPTION	QTY	UOM
A	NTC PROBE (Refer Sheet 2)	NTC Thermistor Ring Terminal	1	PC
B	5055650201	1.25WTB SINGLE REC HSG 2CKT BLACK	1	PC
C	5054311000	1.25 ROBUST W/B CRIMP TERM.	2	PC

CIRCUIT ORIENTATION CHART:

FROM	TO	WIRE P/N	DESCRIPTION	COLOR
A	B1	NTC PROBE (Refer Sheet 2)	NTC Thermistor Ring Terminal	BLACK
	B2			BLACK



NOTES:

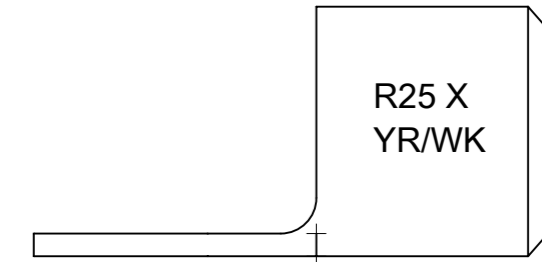
1. RESISTANCE TO BE TESTED 100% AT 25°C ▽
2. RESISTANCE TOLERANCE @ 25°C : SEE CHART (SHEET 2).
3. B-VALUE(25/85°C) : SEE CHART (SHEET 2)
4. OPERATING TEMPERATURE RANGE : -40°C TO +105°C.
5. RING TERMINAL MOUNTING HOLE DIAMETER : 3.7MM.
6. TERMINAL MUST BE NICKEL PLATED COPPER.
7. VOLTAGE BREAKDOWN STRENGTH : MIN 1500VAC FOR 3SEC BETWEEN CONDUCTOR AND EYELET/RING LUG
8. RESPONCE TIME : APPROX 5 SECOND IN WATER
- 9.INSULATION RESISTANCE :MINIMUM OF 100MOHM @ 500VOLTS DC IN METALIC BALLS.

SYMBOLS		THIS DRAWING CONTAINS INFORMATION THAT IS PROPRIETARY TO MOLEX ELECTRONIC TECHNOLOGIES, LLC AND SHOULD NOT BE USED WITHOUT WRITTEN PERMISSION		CURRENT REV DESC:		molex			
▽ = 0	mm	SCALE	NTS	EC NO: 658390				NTC THERMISTOR ASSEMBLY WITH MICRO LOCK	
▽ = 0	GENERAL TOLERANCES (UNLESS SPECIFIED)			DRWN: RAVIKM 2021/03/17				PRODUCT CUSTOMER DRAWING	
▽ = 0	ANGULAR TOL ±	°		CHK'D: RBBHASKAR 2021/03/17		DOCUMENT NUMBER			
▽ = 0	4 PLACES ±			APPR: RBBHASKAR 2021/03/17		2138601633			
▽ = 0	3 PLACES ±			INITIAL REVISION:		DOC TYPE DOC PART REVISION			
▽ = 0	2 PLACES ±			DRWN: MSHAJI01 2020/01/06		PSD 000 A4			
▽ = 0	1 PLACE ±			APPR: RBBHASKAR 2020/02/28		MATERIAL NUMBER CUSTOMER			
▽ = 0	0 PLACES ±			DRAFT WHERE APPLICABLE MUST REMAIN WITHIN DIMENSIONS		SEE SPEC TABLE GENERAL MARKET			
□ = 0	THIRD ANGLE PROJECTION		DRAWING		SERIES		SHEET NUMBER		
▽ = 0	A3-SIZE		213860		A3-SIZE		1 OF 2		

SPECIFICATION:

PART NO	NTC PROBE PN	RESISTANCE AT 25°C (KΩ)	RESISTANCE TOLERANCE (±%)	B VALUE (25/85°C)	B VALUE TOLERANCE (±%)	WIRE LENGTH (L)MM
2138601633	369040876	10K	1	3500	1	75mm
2138602633	369040877	10K	2	3500	1	75mm
2138601635	369040878	10K	1	3500	1	150mm
2138602635	369040879	10K	2	3500	1	150mm
2138601637	369040880	10K	1	3500	1	300mm
2138602637	369040881	10K	2	3500	1	300mm
2138621633	369040882	10K	1	3800	1	75mm
2138622633	369040883	10K	2	3800	1	75mm
2138621635	369040884	10K	1	3800	1	150mm
2138622635	369040885	10K	2	3800	1	150mm
2138621637	369040886	10K	1	3800	1	300mm
2138622637	369040887	10K	2	3800	1	300mm
2138641633	369040888	10K	1	3964	1	75mm
2138642633	369040889	10K	2	3964	1	75mm
2138641635	369040890	10K	1	3964	1	150mm
2138642635	369040891	10K	2	3964	1	150mm
2138641637	369040892	10K	1	3964	1	300mm
2138642637	369040893	10K	2	3964	1	300mm
2138652133	369040894	1K	2	3982	1	75mm
2138652233	369040895	2.25K	2	3982	1	75mm
2138652333	369040896	3K	2	3982	1	75mm
2138652433	369050072	4.7K	2	3982	1	75mm
2138652533	369050073	5K	2	3982	1	75mm
2138651633	369050074	10K	1	3982	2	75mm
2138652633	369050075	10K	2	3982	2	75mm
2138652733	369050076	12K	2	3982	1	75mm
2138652833	369050077	20K	2	3982	1	75mm
2138652933	369050078	30K	2	3982	1	75mm
2138651635	369050079	10K	1	3982	2	150mm
2138652635	369050080	10K	2	3982	2	150mm
2138651637	369050081	10K	1	3982	2	300mm
2138652637	369050082	10K	2	3982	2	300mm
2138652033	369050083	100K	2	4000	2	75mm
2138692933	369040909	47K	2	4050	1	75mm
2138692033	369040910	50K	2	4050	1	75mm

LASER MARKING DETAILS

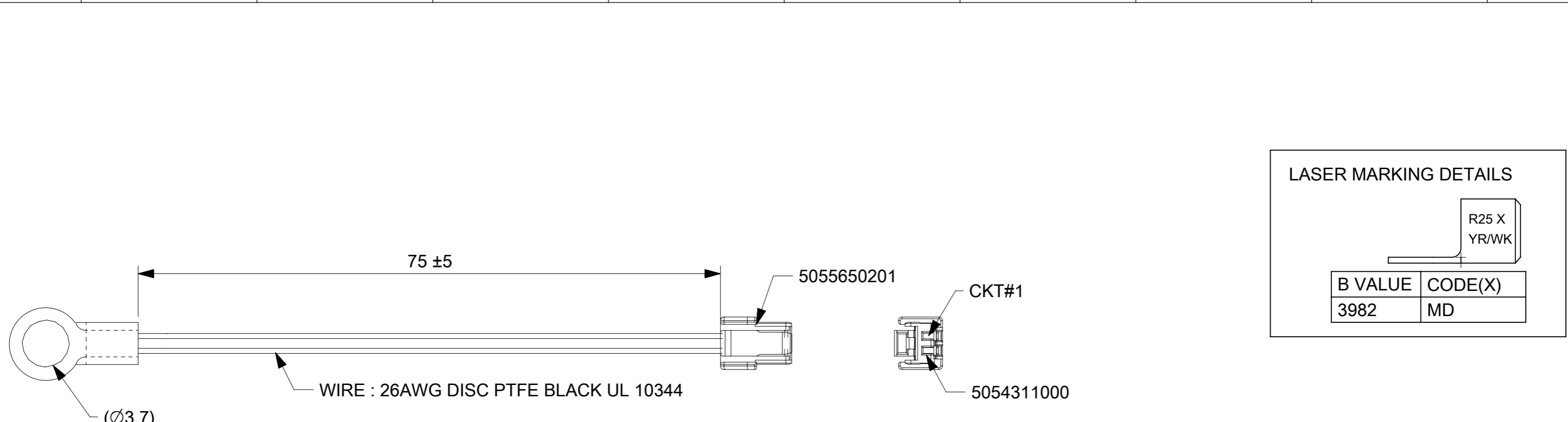


B VALUE	CODE(X)
3500	MA
3800	MB
3964	MC
3982	MD
4050	ME
4000	MH

Finished Length Tolerance

LENGTH	TOLERANCE(MM)
0-75	±5
76-300	±10

SYMBOLS ▽ = 0 ▽ = 0 ▽ = 0 ▽ = 0 ▽ = 0 ▽ = 0 ▽ = 0 ▽ = 0 ▽ = 0 ▽ = 0 ▽ = 0 ▽ = 0	THIS DRAWING CONTAINS INFORMATION THAT IS PROPRIETARY TO MOLEX ELECTRONIC TECHNOLOGIES, LLC AND SHOULD NOT BE USED WITHOUT WRITTEN PERMISSION		DIMENSION UNITS: mm SCALE: NTS		CURRENT REV DESC:			
	GENERAL TOLERANCES (UNLESS SPECIFIED)		EC NO: 658390 DRWN: RAVIKM 2021/03/17 CHK'D: RBBHASKAR 2021/03/17 APPR: RBBHASKAR 2021/03/17		NTC THERMISTOR ASSEMBLY WITH MICRO LOCK			
	ANGULAR TOL ± °		INITIAL REVISION:		PRODUCT CUSTOMER DRAWING		DOCUMENT NUMBER: 2138601633 DOC TYPE: PSD DOC PART: 000 REVISION: A4	
	4 PLACES ± 3 PLACES ± 2 PLACES ± 1 PLACE ± 0 PLACES ±		DRWN: MSHAJI01 2020/01/06 APPR: RBBHASKAR 2020/02/28		DRAFT WHERE APPLICABLE MUST REMAIN WITHIN DIMENSIONS		THIRD ANGLE PROJECTION DRAWING: A3-SIZE SERIES: 213860 MATERIAL NUMBER: SEE SPEC TABLE CUSTOMER: GENERAL MARKET SHEET NUMBER: 2 OF 2	



LASER MARKING DETAILS

R25 X
YR/WK

B VALUE	CODE(X)
3982	MD

RESISTANCE VS TEMP CHARACTERISTICS:

Temp(°C)	R min (KΩ)	R nom (KΩ)	R max (KΩ)	Temp(°C)	R min (KΩ)	R nom (KΩ)	R max (KΩ)
-40	332.0	348.6	366.0	50	4.235	4.343	4.453
-35	243.7	255.1	267.0	55	3.504	3.6	3.698
-30	180.8	188.7	196.9	60	2.912	2.998	3.086
-25	135.5	141.0	146.7	65	2.432	2.508	2.586
-20	102.6	106.4	110.4	70	2.039	2.107	2.176
-15	78.250	80.980	83.770	75	1.717	1.777	1.839
-10	60.220	62.150	64.130	80	1.452	1.505	1.56
-5	46.720	48.100	49.500	85	1.234	1.281	1.329
0	36.530	37.510	38.510	90	1.052	1.094	1.137
5	28.820	29.530	30.240	95	0.901	0.938	0.977
10	22.880	23.380	23.890	100	0.774	0.807	0.841
15	18.260	18.620	18.980	105	0.667	0.696	0.727
20	14.650	14.910	15.170	110	0.576	0.603	0.631
25	11.820	12.000	12.180	115	0.5	0.524	0.548
30	9.540	9.706	9.872	120	0.435	0.456	0.478
35	7.736	7.887	8.039	125	0.379	0.398	0.418
40	6.302	6.438	6.575	130	0.323	0.34	0.358
45	5.155	5.277	5.400	135	0.267	0.282	0.298

NOTES:

- RESISTANCE TOLERANCE @ 25°C : 12KΩ±2%.
- B-VALUE(25/85°C) : 3982K±1%.
- OPERATING TEMPERATURE RANGE : -40°C TO +105°C.
- RING TERMINAL MOUNTING HOLE DIAMETER : 3.7MM.
- TERMINAL IS NICKEL PLATED COPPER.
- VOLTAGE BREAKDOWN STRENGTH : MIN 1500VAC FOR 3SEC BETWEEN CONDUCTOR AND EYELET/RING LUG
- RESPONCE TIME : APPROX 10 SECOND IN LIQUID MEDIUM
- INSULATION RESISTANCE :MINIMUM OF 100MOHM @ 500VOLTS DC IN METALIC BALLS.

FUNCTIONAL SYMBOLS √A = 0 √E = 0 √V = 0	THIS DRAWING CONTAINS INFORMATION THAT IS PROPRIETARY TO MOLEX ELECTRONIC TECHNOLOGIES, LLC AND SHOULD NOT BE USED WITHOUT WRITTEN PERMISSION	SCALE mm NTS	CURRENT REV DESC:		molex
	GENERAL TOLERANCES (UNLESS SPECIFIED)	EC NO: 657688	2021/03/09		
DIVISIONAL SYMBOLS	ANGULAR TOL ± °	4 PLACES ±	DRWN: RAVIKM	2021/03/17	PRODUCT CUSTOMER DRAWING
	3 PLACES ±	2 PLACES ±	CHK'D: RBBHASKAR	2021/03/17	
	2 PLACES ±	1 PLACE ±	APPR: RBBHASKAR	2021/03/17	2138652733
	0 PLACES ±		INITIAL REVISION:		DOC TYPE
			DRWN: RAVIKM	2021/03/09	PSD
			APPR: RBBHASKAR	2021/03/17	000
					A
	DRAFT WHERE APPLICABLE MUST REMAIN WITHIN DIMENSIONS	THIRD ANGLE PROJECTION	DRAWING	SERIES	MATERIAL NUMBER
			A3-SIZE	213865	2138652733
					CUSTOMER
					OTS
					SHEET NUMBER
					1 OF 1