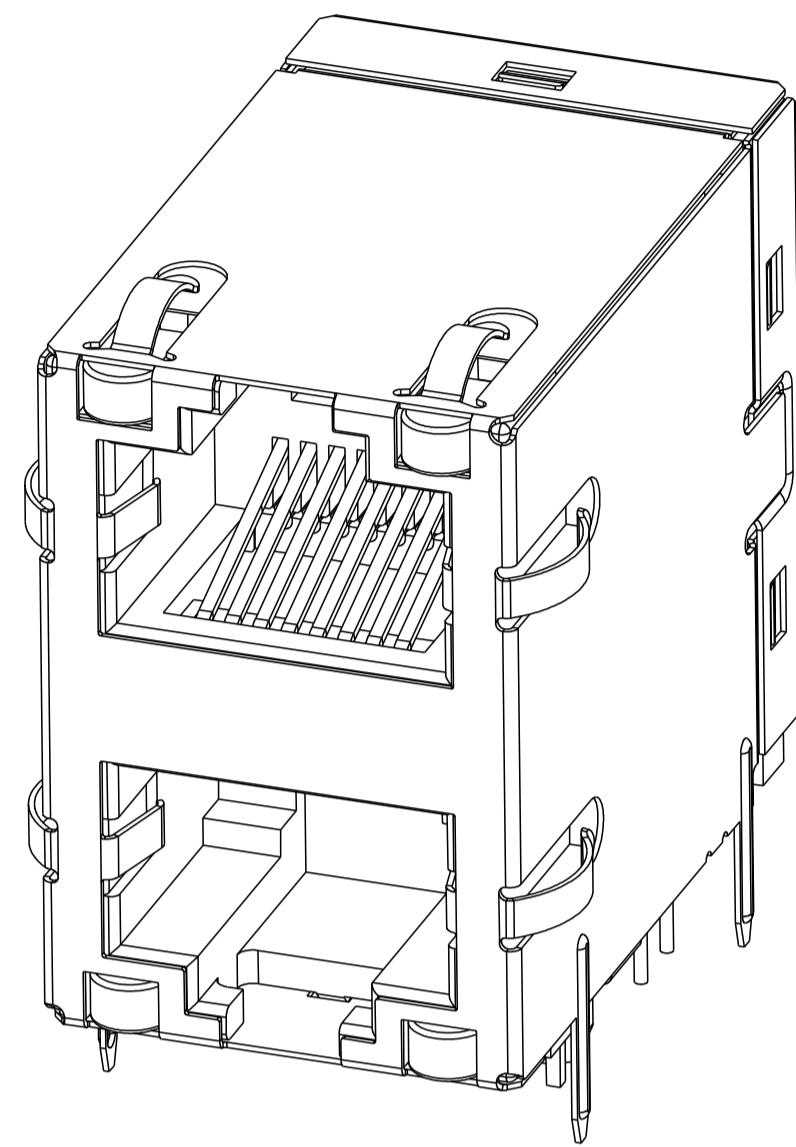


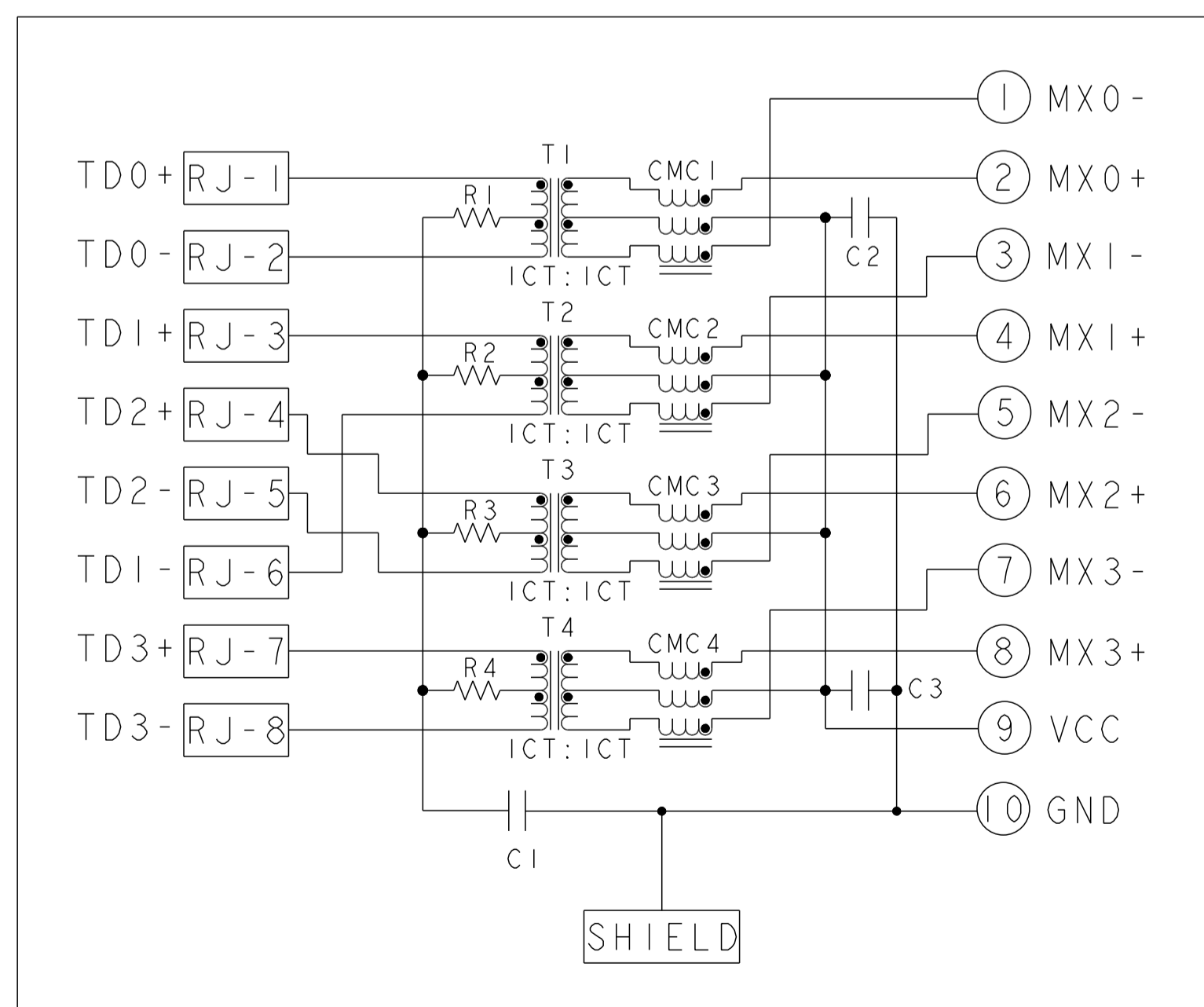
THIS DRAWING AND THE SUBJECT MATTER SHOWN THEREON ARE CONFIDENTIAL AND THE PROPERTY OF BEL/STEWART/TRP CONNECTOR AND SHALL NOT BE REPRODUCED, COPIED, OR USED IN ANY MANNER WITHOUT THE WRITTEN CONSENT OF TRP CONNECTOR.

PRODUCT MAY BE PROTECTED BY ONE OR MORE OF THE FOLLOWING US PATENTS:
 5736910 5939955 6425781 6428361 6554638 6840817 7123117
 7429195 7717749 7808751 6217391 6149050 7924130

REVISIONS					
P	LT#	DESCRIPTION	DATE	DRW	APPD
G		EC-1411035 COMPANY LOGO CHANGE	28DEC2014	GZ	TY



S8G56 GIGABIT CIRCUIT
 TOP AND BOTTOM PORTS



C1 = 1000pF, 2kV CAPACITOR
 C2 - C3 = 10nF, 50V CAPACITORS
 R1-R4 = 75 Ohms, 1/16 W, RESISTORS

- I. MATERIALS:
 PLASTIC HOUSING: BLACK, THERMOPLASTIC FLAMMABILITY RATING UL 94V-0
 SHIELD: BRASS, PREPLATED WITH 0.76um MIN SEMI-BRIGHT NICKEL,
 POST DIPPED WITH 2.54um MIN SAC SOLDER ON SOLDER TAILS,
 CONTACTS: PHOSPHOR BRONZE, 1.27um MIN OVERALL NICKEL
 UNDERPLATE WITH SELECT 1.27um MIN GOLD OR WITH SELECT 0.05um
 MIN GOLD OVER 0.76um MIN PALLADIUM-NICKEL AT MATING INTERFACE
 AND 2.54um MIN MATTE TIN ON SOLDER TAILS.
 ALL PC BOARDS: HIGH TEMPERATURE PCB, TG>170°C
- △ MAGNETICS
 APPLICATION: 10/100/1000 BASE-T
 IMPEDANCE: 100 OHMS
 TURNS RATIO (CHIP:CABLE): 1:1 ALL FOUR PAIRS
 OPEN CIRCUIT INDUCTANCE (OCL): 350uH MIN @100kHz, 0.1VRMS,
 8mADC BIAS FROM 0°C TO 70°C, ALL FOUR PAIRS
 ALL FOUR PAIRS BI-DIRECTIONAL
 PERFORMANCE @ 25°C:
 INSERTION LOSS (IL): 1.1dB MAX FROM 0.5MHz TO 100MHz
 RETURN LOSS (RL): 18dB MIN FROM 0.5MHz TO 40MHz
 12-20LOG(f/80)dB MIN FROM 40.1MHz TO 100MHz
 CROSSTALK ATTENUATION: 35dB MIN FROM 0.5MHz TO 40MHz
 33-20LOG(f/50)dB MIN FROM 40.1MHz TO 100MHz
 COMMON MODE REJECTION RATIO (CMRR): 30dB MIN FROM 0.5MHz TO 100MHz
 ISOLATION VOLTAGE: 2250VDC (MAX) FOR 60 SECONDS WITH A RISE TIME OF 500V/SEC AND
 WITH ALL PORTS CONNECTED

△ PART NUMBER, DATE CODE AND COUNTRY OF ORIGIN ARE LOCATED IN APPROXIMATE AREA SHOWN. DATE CODE: "YY" IS YEAR, "WW" IS WORK WEEK, "D" IS DAY OF WEEK, WITH SUNDAY=1

△ TRP CONNECTOR LOGO AND AGENCY APPROVAL LOGO ARE LOCATED IN APPROXIMATE AREA SHOWN.

5. OPERATING TEMP: FROM 0°C TO +70°C.

6. RJ45 CAVITY CONFORMS TO FCC RULES AND REGULATION PART 68 SUBPART F.

△ INDICATED MAGNETIC CONNECTIONS ARE SYMMETRICAL AND SUPPORT AUTO-MD1/MDIX.

△ DATUM AND BASIC DIMENSION ESTABLISHED BY CUSTOMER.

△ BASIC DIMENSION ESTABLISHED BY CUSTOMER, BUT MAY NOT BE GREATER THAN 5.08mm.

△ LEDs ARE DRIVEN WITH CONSTANT CURRENT AT APPROX 20mA
 LED COLOR: DOMINANT WAVELENGTH (λD): GREEN 568 nm TYP. @ IF=20mA
 FORWARD VOLTAGE (VF): GREEN 2.2V TYP. @ IF=20mA
 DOMINANT WAVELENGTH (λD): YELLOW 588 nm TYP. @ IF=20mA
 FORWARD VOLTAGE (VF): YELLOW 2.1V TYP. @ IF=20mA
 DOMINANT WAVELENGTH (λD): ORANGE 605 nm TYP. @ IF=20mA
 FORWARD VOLTAGE (VF): ORANGE 2.1V TYP. @ IF=20mA

II. THE PARTS ARE RECOMMENDED FOR WAVE SOLDERING PROCESS, PEAK TEMPERATURE 260°C MAX, 10 SECONDS MAX.

2.27	STANDARD SEE SHEET 4	GREEN	YELLOW	GREEN	YELLOW	2-1840689-3
3.56	STANDARD SEE SHEET 4	GREEN/YELLOW	GREEN	GREEN	GREEN/YELLOW	1-1840689-9
3.56	SPECIAL SEE SHEET 4	YELLOW	GREEN	GREEN	YELLOW	1-1840689-2
3.04	STANDARD SEE SHEET 4	GREEN/YELLOW	GREEN	GREEN/YELLOW	GREEN	1840689-5
3.04	STANDARD SEE SHEET 4	GREEN	GREEN/ORANGE	GREEN	GREEN/ORANGE	1840689-6
3.04	STANDARD SEE SHEET 4	GREEN	YELLOW	GREEN	YELLOW	1840689-3
DIM A	LED POLARITY	BOTTOM LED 2	BOTTOM LED 1	TOP LED 2	TOP LED 1	PART NUMBER

THIS DRAWING IS A CONTROLLED DOCUMENT.

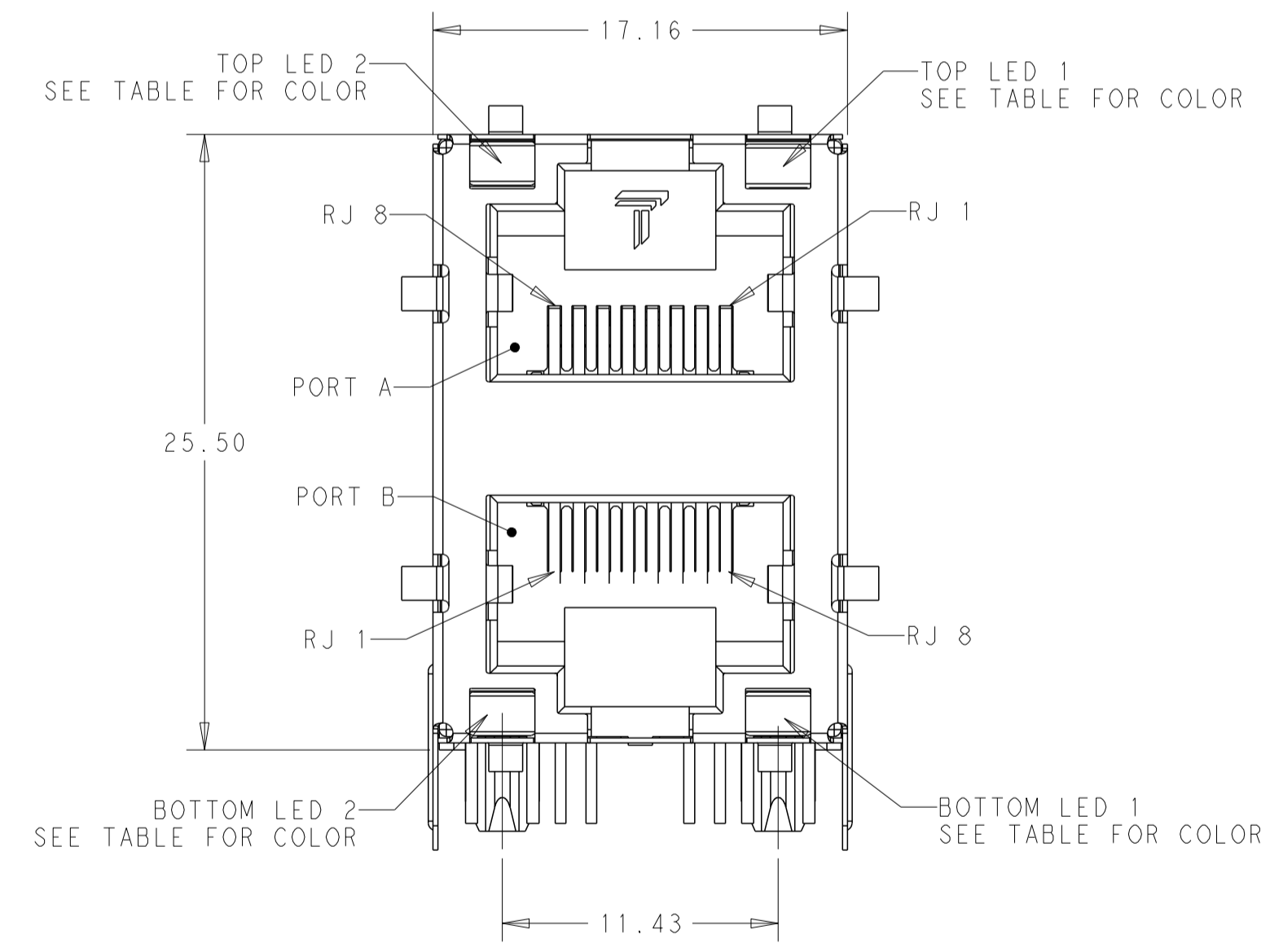
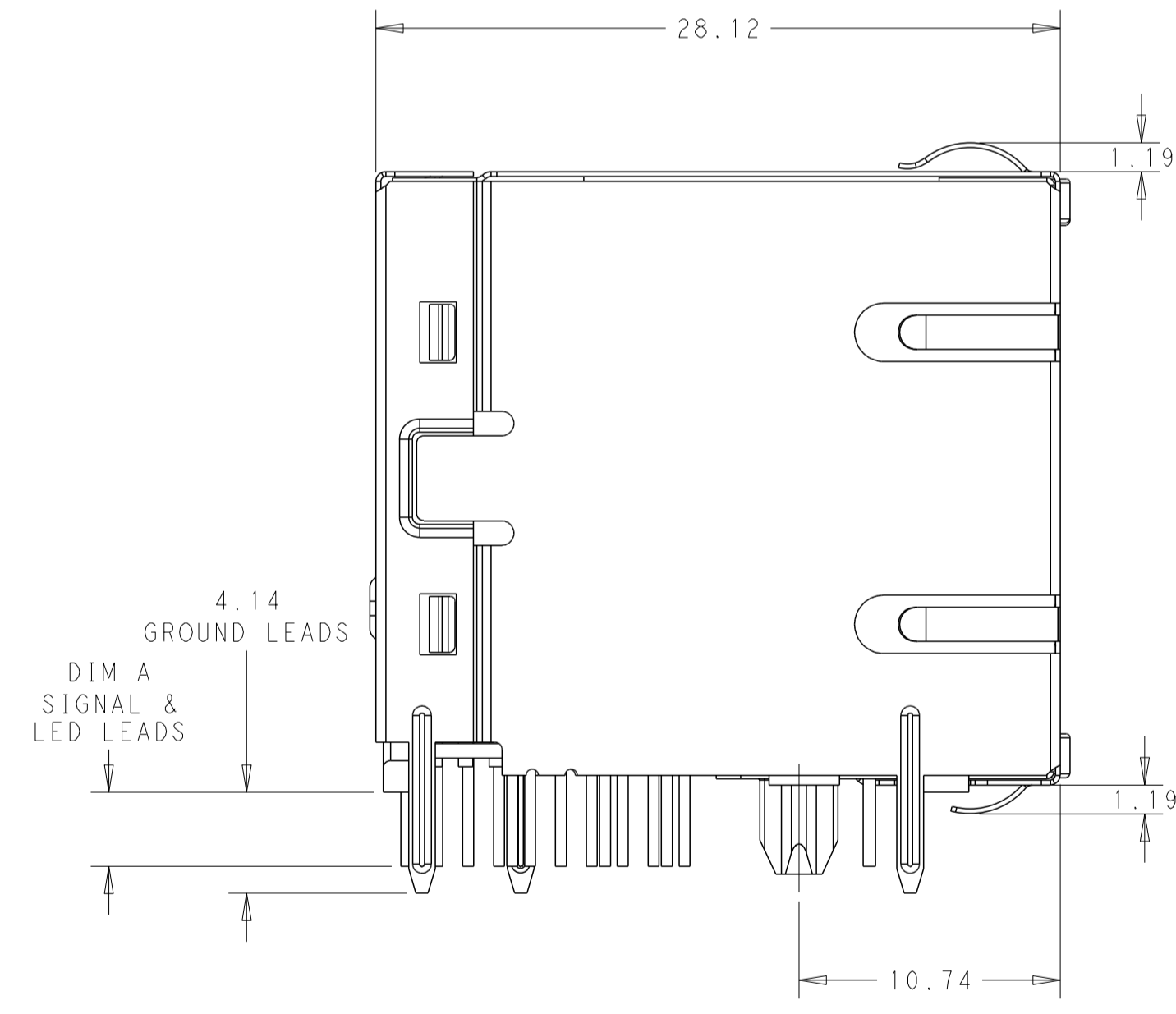
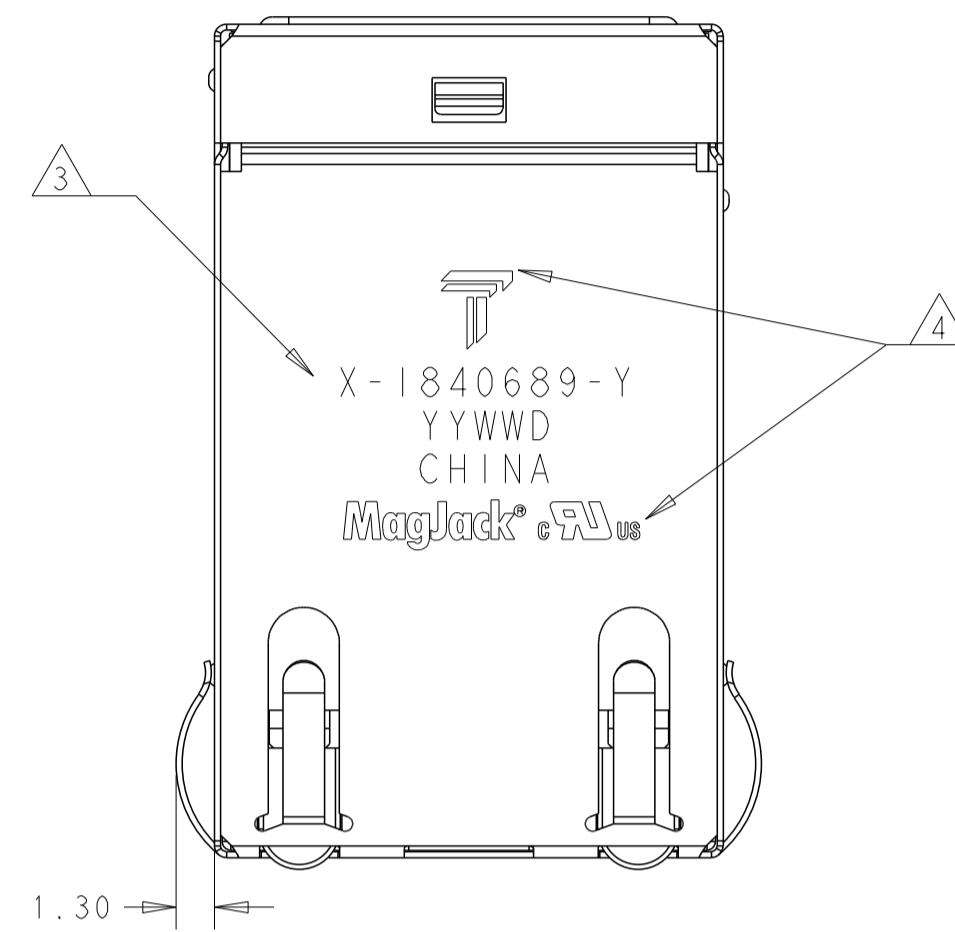
DRW: GABRIEL Z/TERRY LIN 07JAN2012
 CHK: TONY YUAN 07JAN2012
 APVD: KEITH ZHU 07JAN2012


TRP CONNECTOR
 a bel group
 DONGGUAN CHINA

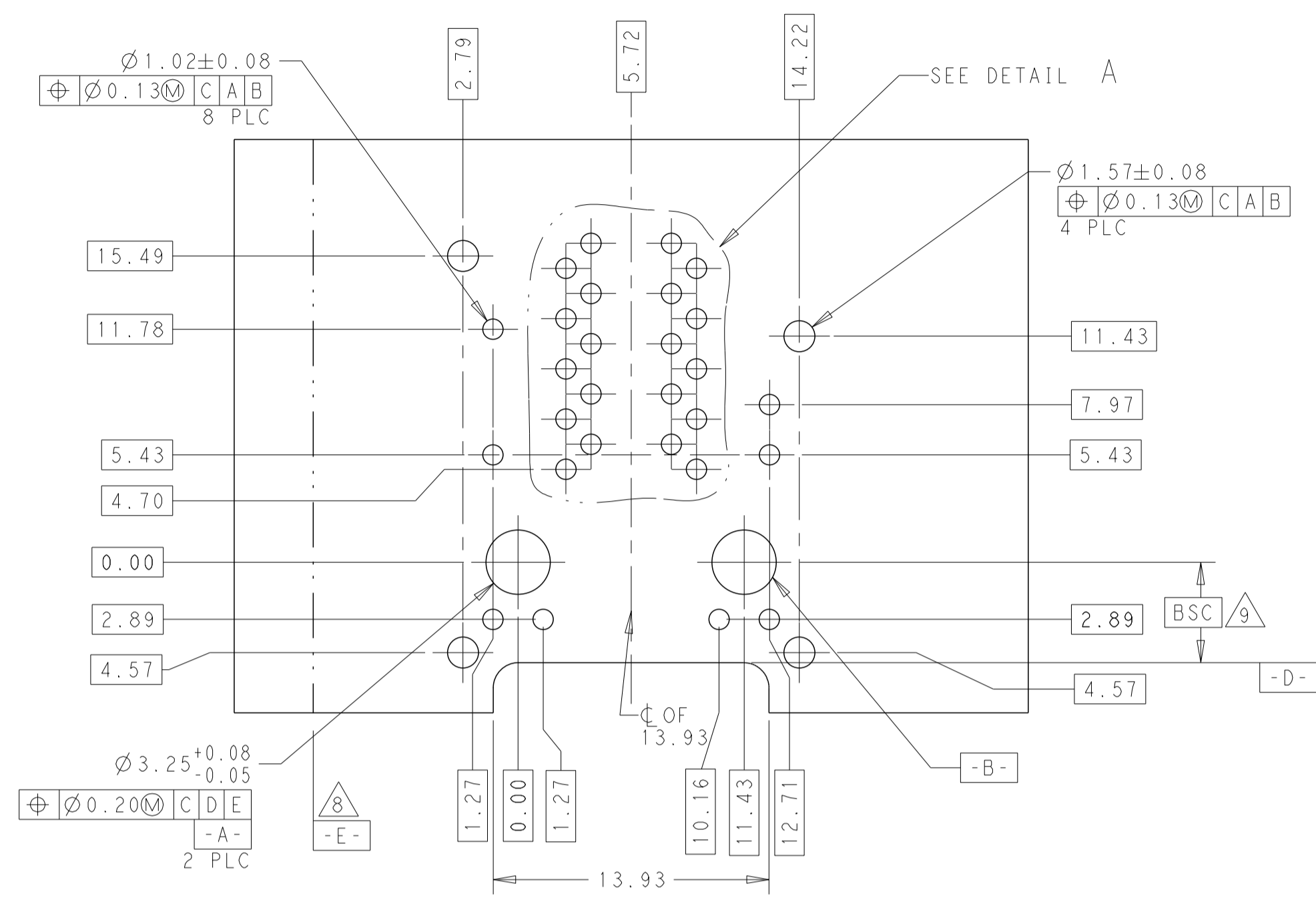
MODEL NAME: MAGJACK
 DESC: 2X1 S8G56 GIGABIT W/ LED

SIZE: A1
 CAGE CODE: C=1840689
 DRAWING NO: 108-104004

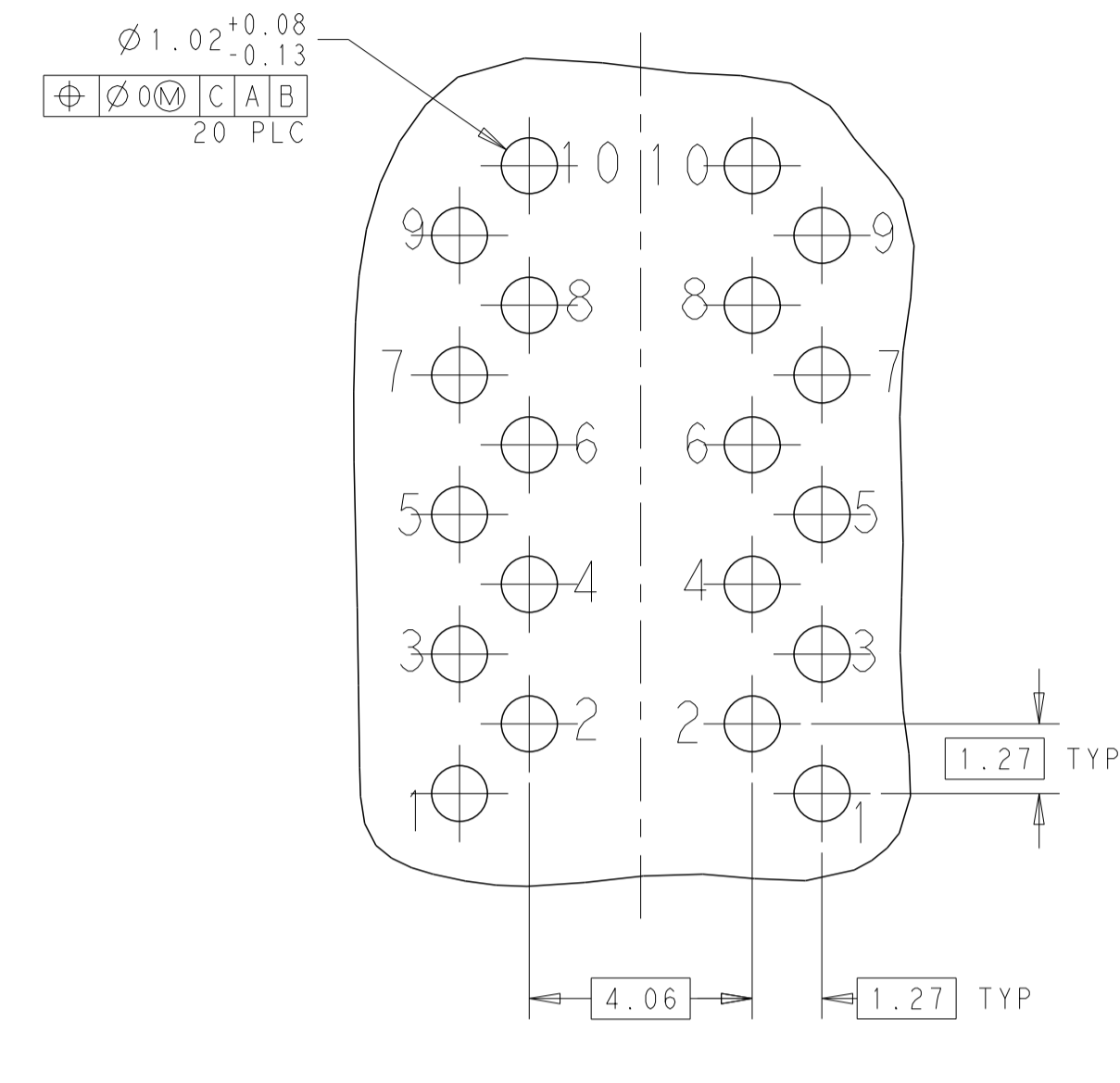
SCALE: 4:1
 SHEET: 1 OF 4
 REV: G



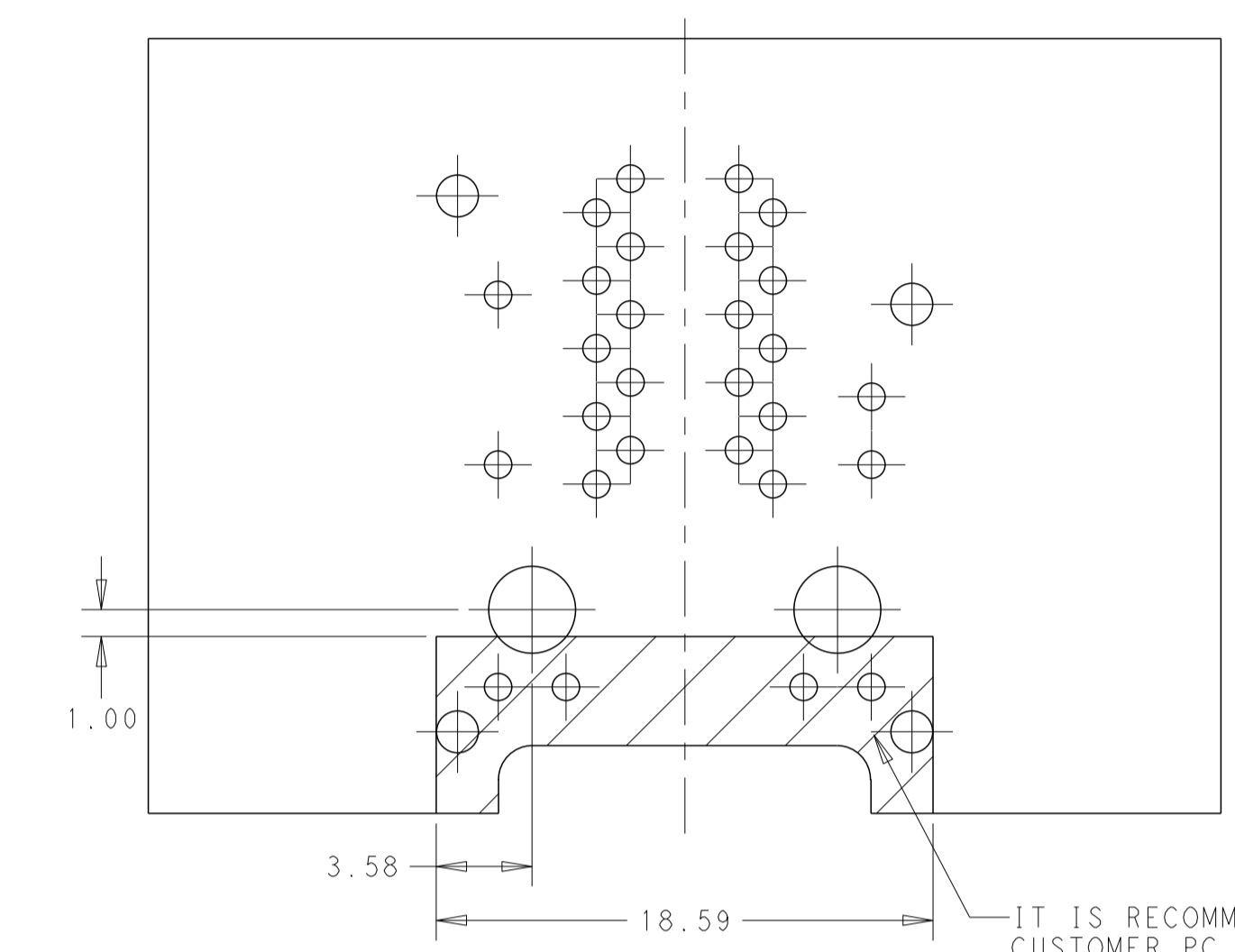
THIS DRAWING IS A CONTROLLED DOCUMENT.		DRW: 07JAN2012 GABRIEL Z/TERRY LIN	 trp CONNECTOR a bel group	DONGGUAN CHINA
DIMENSIONS: mm		CHK: 07JAN2012 TONY YUAN		DESC: 2X1 S8G56 GIGABIT W/ LED
TOLERANCES UNLESS OTHERWISE SPECIFIED:		APP'D: 07JAN2012 KEITH ZHU	MODEL NAME: MAGJACK	SIZE: A1
0 PLC ±0.25 1 PLC ±0.25 2 PLC ±0.25 3 PLC ±0.25 4 PLC ± ANGLES ±		PRODUCT SPEC: 108-104004	APPLICATION SPEC: -	SCALE: 4:1
CUSTOMER DRAWING			DRAWING NO: C=1840689	SHEET 2 OF 4
			REV: G	



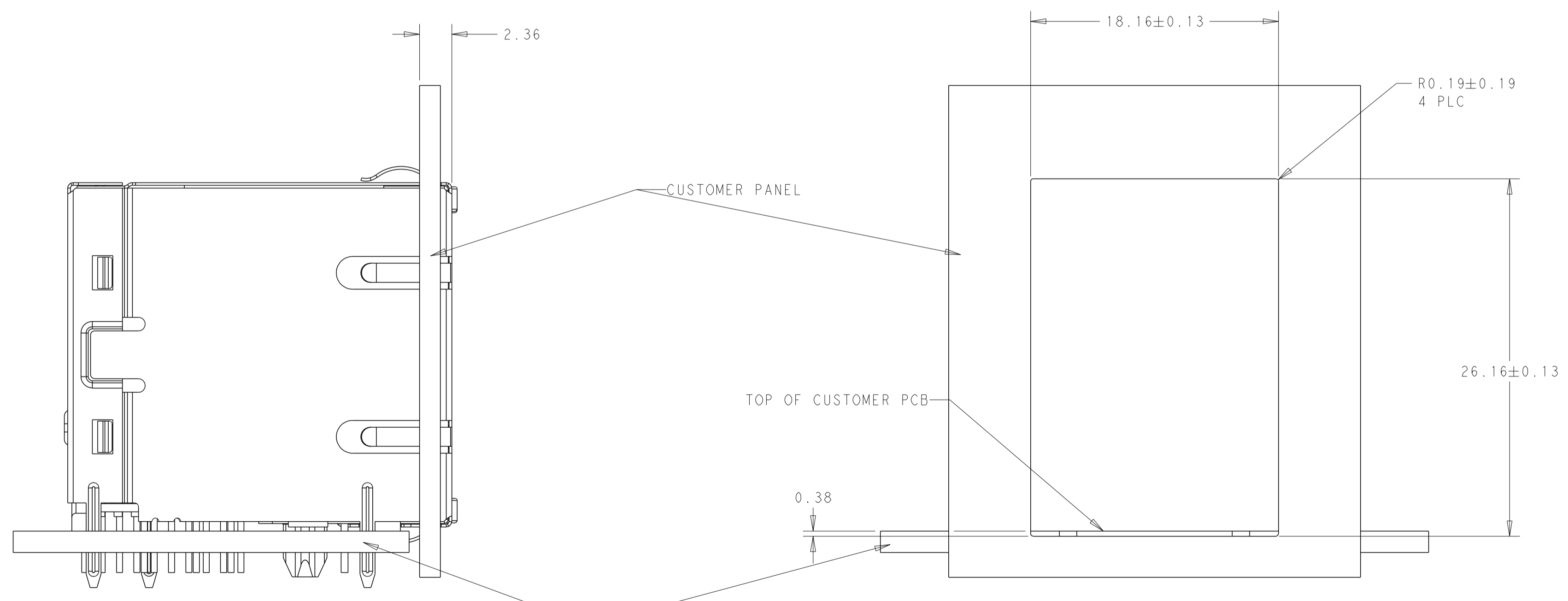
RECOMMENDED PCB LAYOUT
 COMPONENT SIDE VIEW



DETAIL A
 SCALE 8:1



IT IS RECOMMENDED THAT SHADED AREA OF CUSTOMER PC BOARD BE CLEAR OF ANY VIA HOLE, COMPONENT AND CIRCUIT TRACE



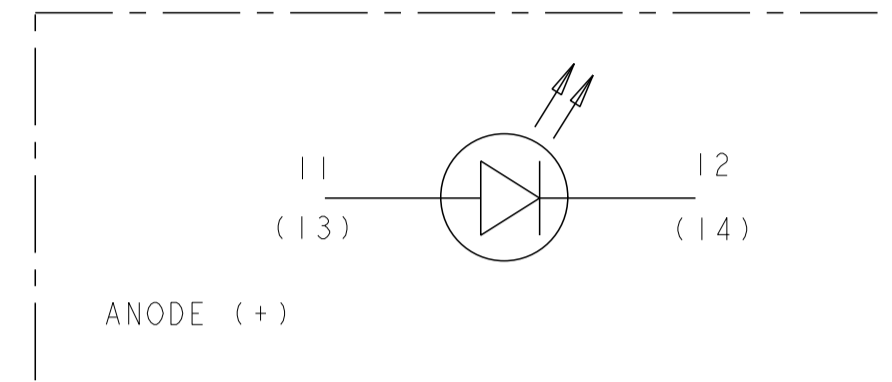
SHOWN WITH PANEL AND
 CUSTOMER PCB ASSEMBLY

SUGGESTED PANEL CUTOUT DIMENSIONS

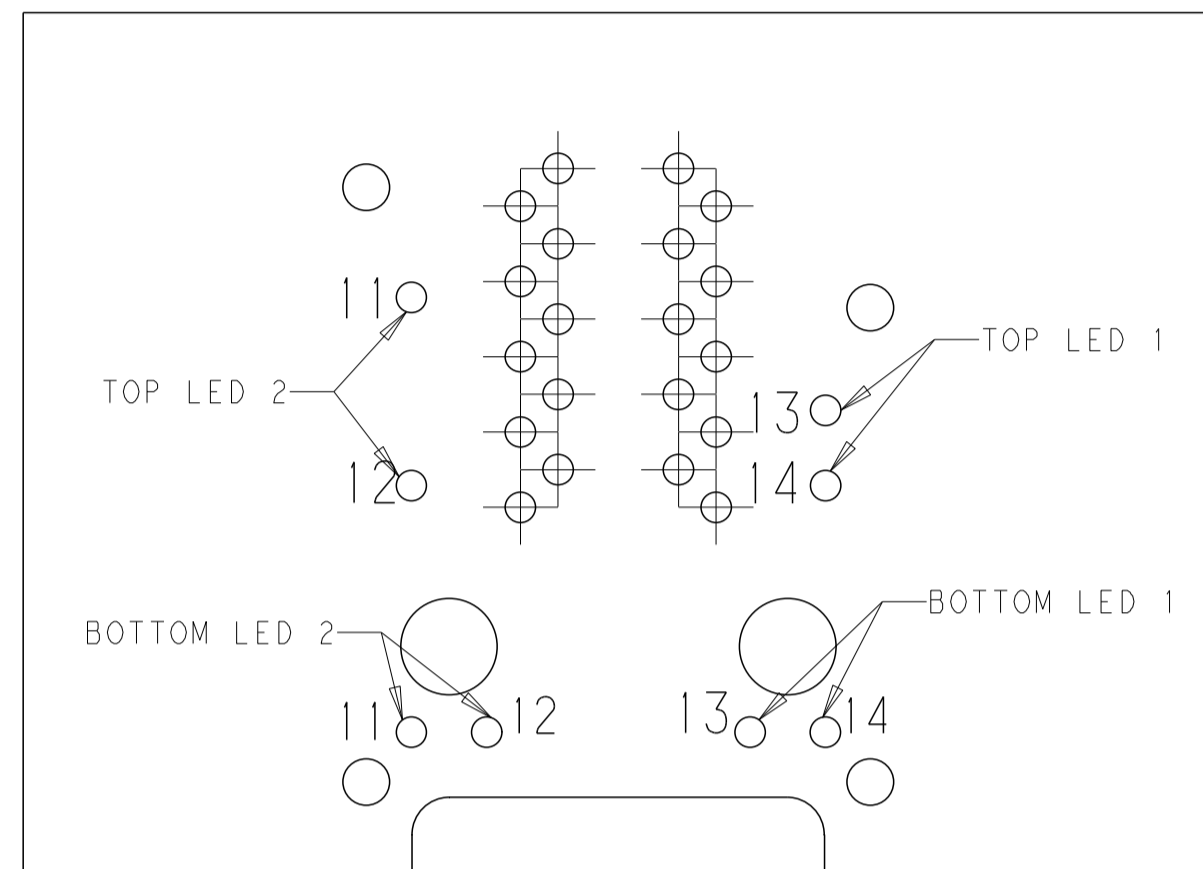
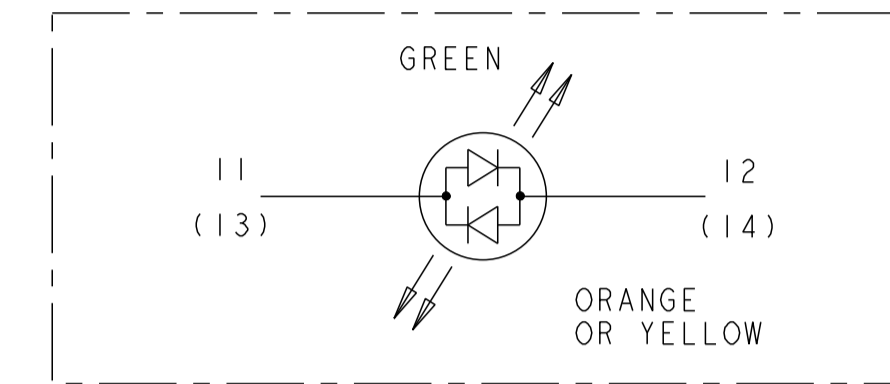
THIS DRAWING IS A CONTROLLED DOCUMENT.		DWN: GABRIEL Z/TERRY LIN 07JAN2012		DONGGUAN CHINA
DIMENSIONS: mm		CHK: TONY YUAN 07JAN2012		
		TOLERANCES UNLESS OTHERWISE SPECIFIED: 0 PLC ±0.25 1 PLC ±0.25 2 PLC ±0.25 3 PLC ±0.25 4 PLC ± ANGLES ±		MODEL NAME: MAGJACK DESC: 2X1 S8G56 GIGABIT W/ LED
PRODUCT SPEC: 108-104004		APVD: KEITH ZHU 07JAN2012 APPLICATION SPEC: -		SIZE: A1 CAGE CODE: C=1840689 DRAWING NO: - RESTRICTED TO: -
CUSTOMER DRAWING				SCALE: 4:1 SHEET 3 OF 4 REV G

STANDARD LED POLARITY

SINGLE COLOR LED

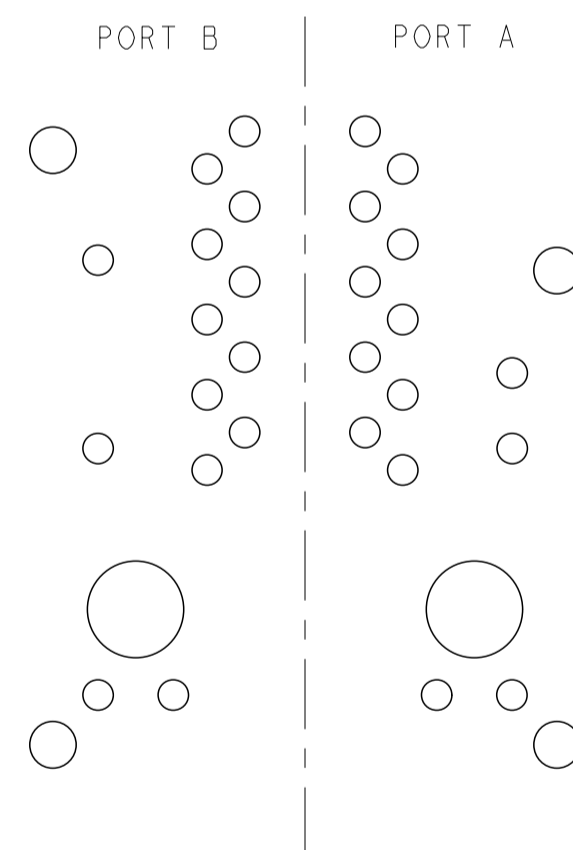
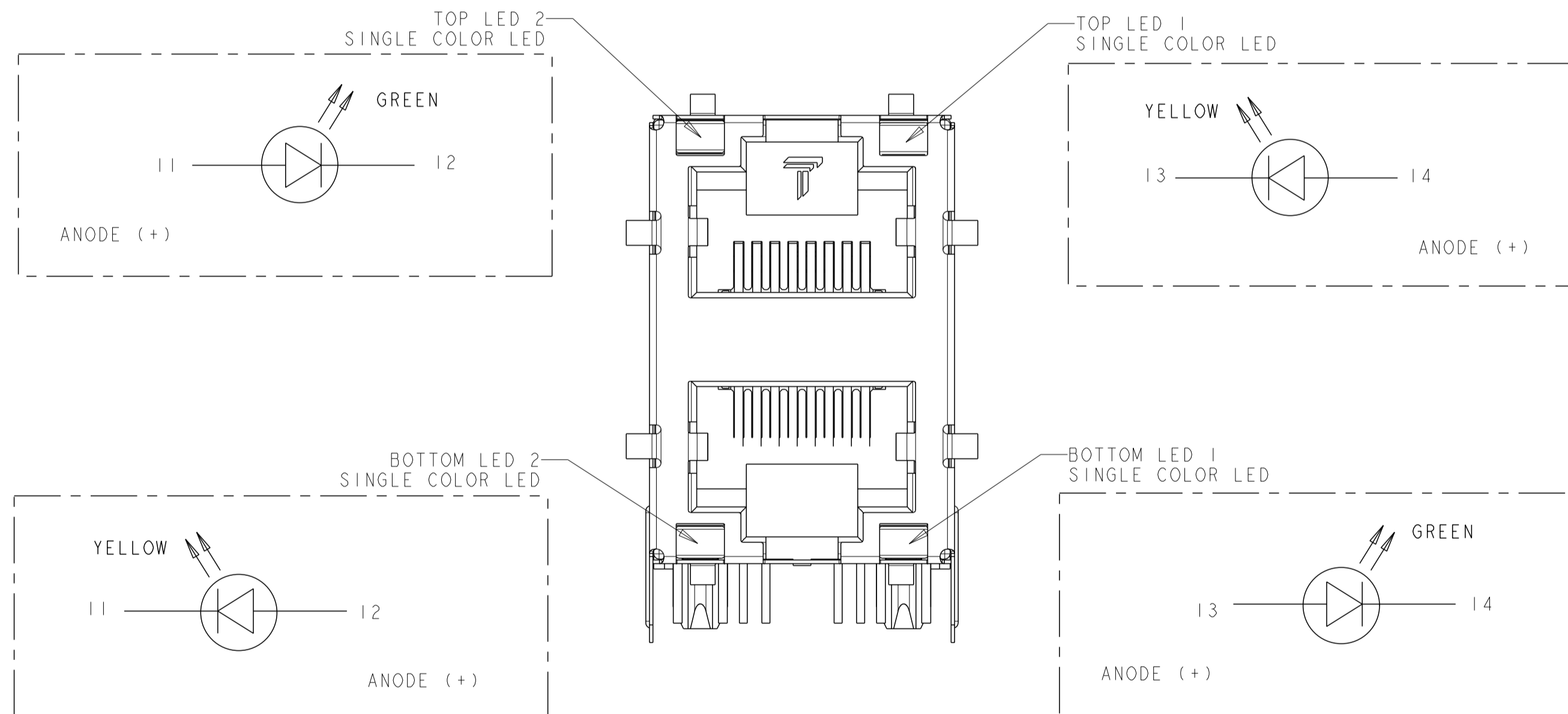


BI-COLOR LED


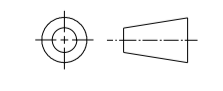


LED HOLE DESIGNATIONS VIEWED FROM COMPONENT SIDE

LED POLARITY FOR 1-1840689-2 ONLY



PORT ASSIGNMENT COMPONENT SIDE VIEW

THIS DRAWING IS A CONTROLLED DOCUMENT.		DWR: 07JAN2012 GABRIEL Z/TERRY LIN		 DONGGUAN CHINA
DIMENSIONS: mm		CHK: 07JAN2012 TONY YUAN		
		TOLERANCES UNLESS OTHERWISE SPECIFIED:		MODEL NAME
PRODUCT SPEC		APPROV: 07JAN2012 KEITH ZHU		DESC
108-104004		APPLICATION SPEC		2X1 S8G56 GIGABIT W/ LED
				SIZE
				A1
				DRAWING NO
				C=1840689
				RESTRICTED TO
				-
				SCALE
				4:1
				SHEET
				4 OF 4
				REV
				G