

THIS DRAWING IS UNPUBLISHED.

RELEASED FOR PUBLICATION

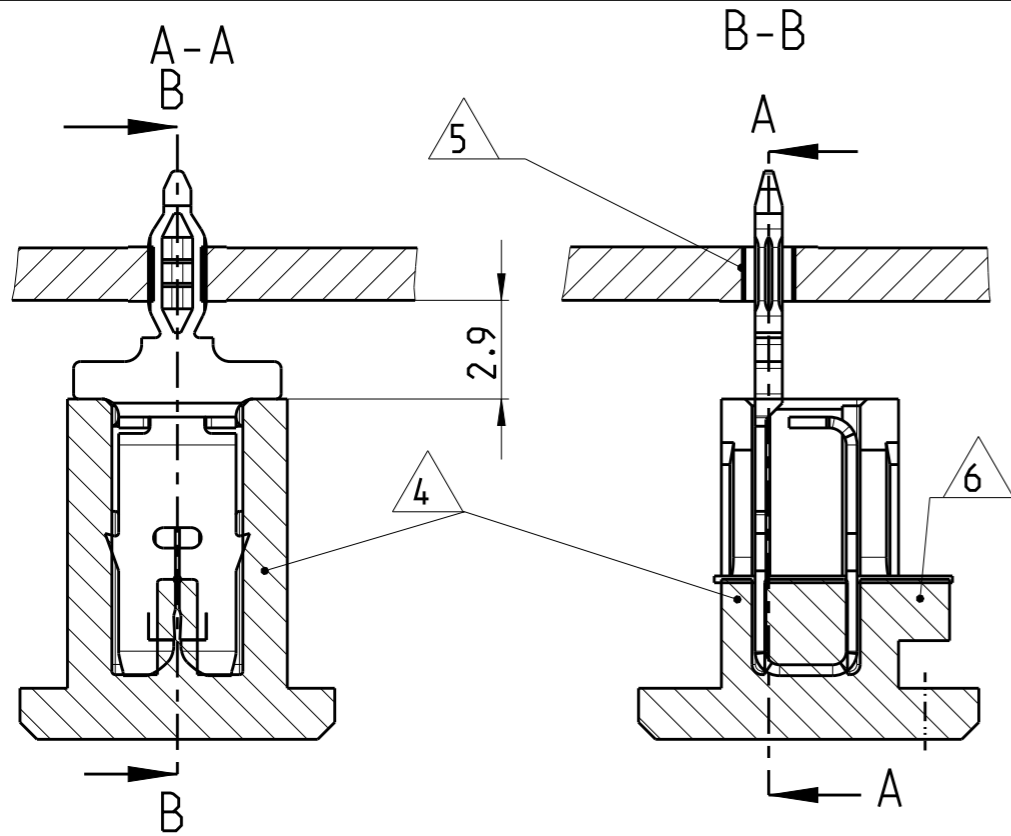
2012

© COPYRIGHT 2012

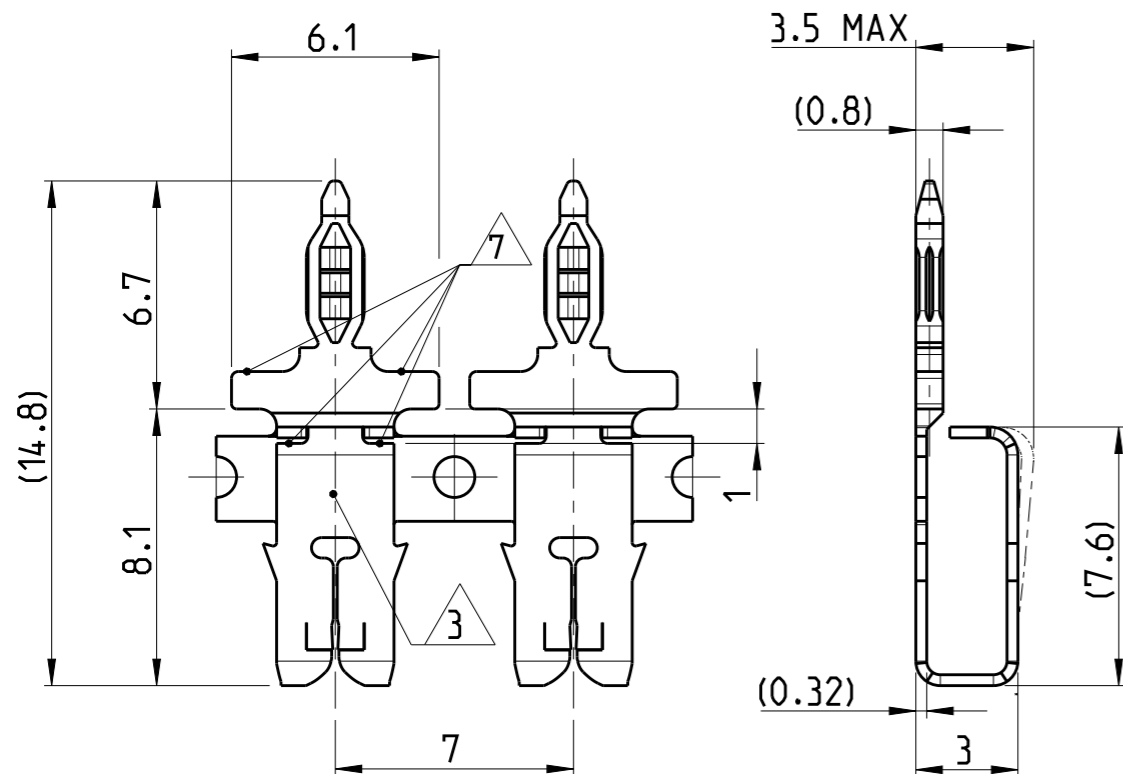
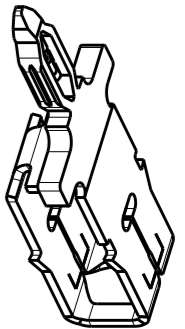
Tyco Electronics AMP GmbH

ALL RIGHTS RESERVED.

LOC	DIST	REVISIONS					
		P	LTR	DESCRIPTION	DATE	DWN	APVD
A1	-			REVISED PER ECR-20-009998	22JUL2020	JA	TD



- 1 SLOT ACCEPTS SINGLE OR DOUBLE COPPER MAGNET WIRE (SEE TABLE) NOT FOR USE WITH ALUMINUM MAGNET WIRE.
- 2 SLOT ACCEPTS SINGLE OR DOUBLE ALUMINUM MAGNET WIRE (SEE TABLE)
- 3 IDENTIFICATION NUMBER FOR MAGNET WIRE RANGE
- 4 CONTACT CAVITY AND APPLICATION ACC. SPECIFICATION 114-74109. (SEE TABLE)
- 5 PCB LAYOUT (HOLES ACC. SPECIFICATION. 108-90801)
- 6 CUTTING LINE: AREA WILL BE CUTTED OFF BY TERMINATION
- 7 AREA FOR INSERTION TOOL
- 8 DELIVERY STATE: STRIP ON CORRUGATED REEL WITH PAPER INTERLAYER
- 9 To Be APPROVED, ON DEMAND BY TE ENGINEERING
- 10 MAX.2 SPLICES PER REEL; SPLICES BE NOT BONDED TOGETHER



DIRECTION OFF TOP OF REEL	FIG	AWG BARE WIRE RANGE		BARE WIRE RANGE		REV	PART NO
		DOUBLE WIRE	SINGLE WIRE	DOUBLE WIRE	SINGLE WIRE		
FIG 273	33	-	15 - 16	-	Ø1.30mm to Ø1.45mm	A	2238145-3
		-	16.5 - 16	-	Ø1.20mm to Ø1.30mm	A	2238145-2
FIG 272	24	-	19.5 - 17	-	Ø 0.85mm to Ø 1.15mm	A	1247004-3
		-	19.5 - 17.5	-	Ø 0.85mm to Ø 1.12mm	A	1247004-2
	12	-	22 - 18.75	-	Ø 0.63mm to Ø 0.95mm	A	1247003-3
		-	22.5 - 20	-	Ø 0.63mm to Ø 0.85mm	A	1247003-2
	10	24 - 22	24 - 22	Ø 0.51mm to Ø 0.64mm	Ø 0.51mm to Ø 0.64mm	A	1247002-3
		26 - 23	26 - 22.5	Ø 0.40mm to Ø 0.56mm	Ø 0.40mm to Ø 0.63mm	A	1247002-2
	6	28 - 25	28 - 25	Ø 0.32mm to Ø 0.45mm	Ø 0.32mm to Ø 0.45mm	A	1247001-3
		29.5 - 26.5	29.5 - 26.5	Ø 0.265mm to Ø 0.4mm	Ø 0.265mm to Ø 0.4mm	A	1247001-2
4	33 - 30	33 - 30	Ø 0.18mm to Ø 0.265mm	Ø 0.18mm to Ø 0.265mm	A	1247000-2	

THIS DRAWING IS A CONTROLLED DOCUMENT.		DWN H. Ballmert 04 JUN 2012	 TE Connectivity	
DIMENSIONS: mm		CHK B. Schnaubelt 04 JUN 2012		
TOLERANCES UNLESS OTHERWISE SPECIFIED:		APVD T. Klenner 04 JUN 2012	NAME	
0 PLC ±0.2 1 PLC ±0.2 2 PLC ±0.2 3 PLC ±0.2 4 PLC ±0.2 ANGLES ±1°		PRODUCT SPEC 108-74116	MAG-MATE 300 SERIES WITH MULTISPRING	
MATERIAL COPPER ALLOY		FINISH POSTTINNED	APPLICATION SPEC 114-74109	RESTRICTED TO
		WEIGHT 0.25g/prt	SIZE A3	CAGE CODE 00779
		CUSTOMER DRAWING	DRAWING NO C-1247000	SCALE 5:1
			SHEET 1 OF 1	REV A11