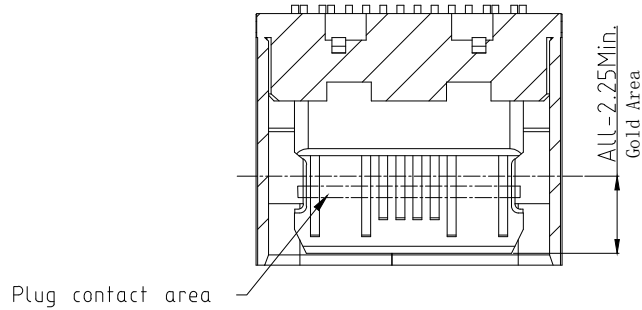
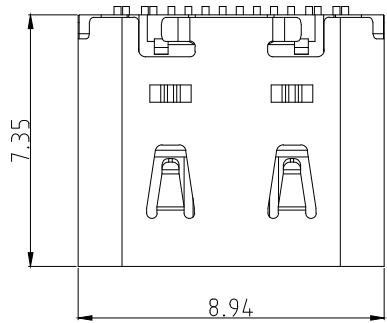


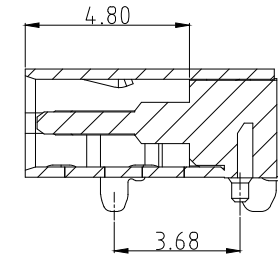
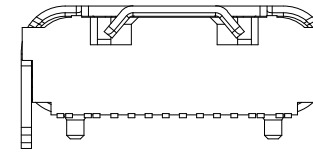
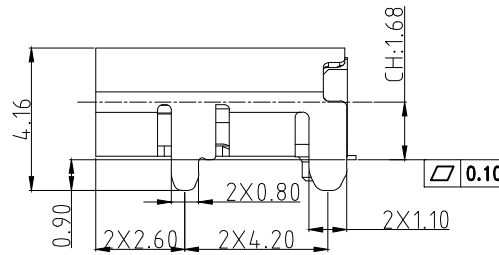
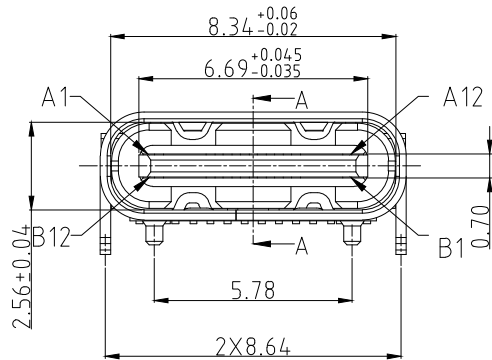
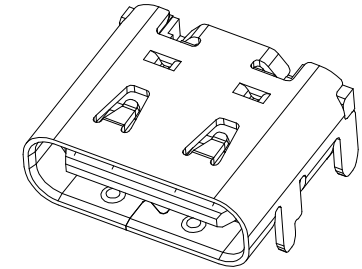
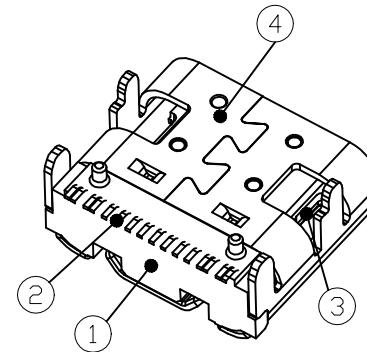
This document is the property of Amphenol Corporation and is delivered on the express condition that it is not to be disclosed, reproduced or used, in whole or in part, for manufacture or sale by anyone other than Amphenol Corporation without the prior consent, & that no right is granted to disclose or to use any information in this document.

CUSTOMER DRAWING

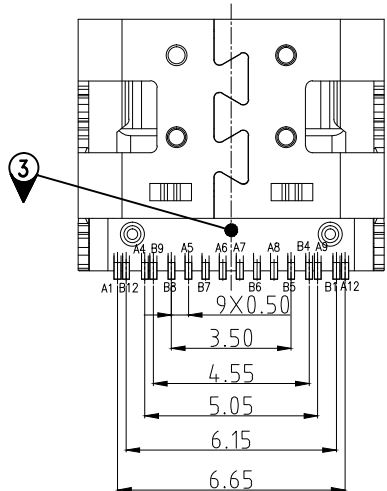
REVISIONS				
SYM	ECN	DESCRIPTION	DATE	APPROVED
1		NEW RELEASE	2020.01.02	Tom
2		Add Mating Gold Area Dimensions	2020.03.06	Tom
3		Cancel escape slot	2020.06.24	Tom
4		Add PCB Edge Dimensions	2020.07.10	Tom



SECTION B-B



SECTION A-A



USB TYPE-C PIN ASSIGNMENTS:

A1	A2	A3	A4	A5	A6	A7	A8	A9	A10	A11	A12
GND			Vbus	CC1	D+	D-	SBU1	Vbus			GND
GND			Vbus	SBU2	D-	D+	CC1	Vbus			GND
B12	B11	B10	B9	B8	B7	B6	B5	B4	B3	B2	B1

ITEM	DESCRIPTION	Q'TY	MATERIAL	FINISH
4	SHELL	1	STAINLESS STEEL	50u" NICKEL OVERALL.
3	MID PLATE	1	STAINLESS STEEL	50u" NICKEL OVERALL.
2	TERMINAL	1	COPPER ALLOY	MATING SIDE:Gold Flash; SOLDER TAIL:Gold Flash,50u" NICKEL OVERALL.
1	MAIN HOUSING	1	HIGH TEMPERATURE	

BILL OF MATERIAL

UNLESS OTHERWISE SPECIFIED TOLERANCES	
U.S.	METRIC
.X +/-	0.50
.XX +/-	0.15
.XXX +/-	0.10
FRACTIONS +/-	
ANGLES +/-	3°

FOR MATERIALS AND FINISHES SEE NOTES

REMOVE SHARP EDGES

DIMENSIONS

U.S. INCHES (METRIC) (MM)

APPROVAL		DATE
DRAWN	Allan.Lal	07/10/20
CHECKED	Michael.Qin	07/10/20
CHECKED		

DRAWING FILE :

ANGLE OF PROJECTION

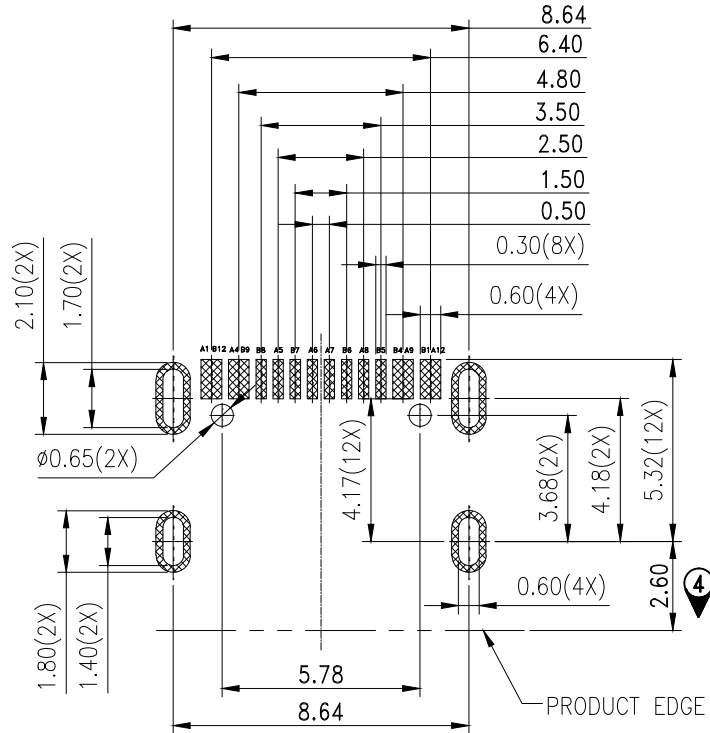
Amphenol		
Amphenol East Asia Limited		
TITLE Customer Drawing For USB TYPE C 2.0 Top Mount		
SIZE	DRAWING NO.	REV.
A3	C12402012	4
SCALE	NONE	SHEET 1 OF 2

This document is the property of Amphenol Corporation and is delivered on the express condition that it is not to be disclosed, reproduced or used, in whole or in part, for manufacture or sale by anyone other than Amphenol Corporation without the prior consent, & that no right is granted to disclose or to use any information in this document.

CUSTOMER DRAWING

REVISIONS

SYM	ECN	DESCRIPTION	DATE	APPROVED
1		NEW RELEASE	2020.01.02	Tom



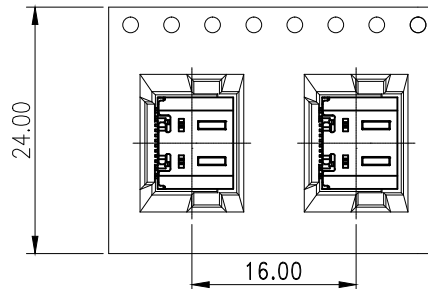
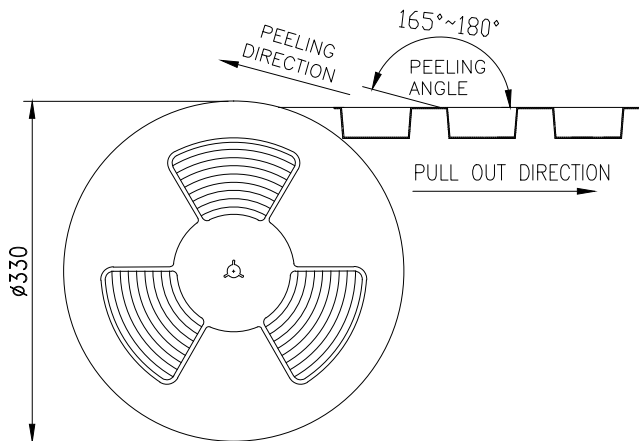
RECOMMENDED PCB LAYOUT(TOP VIEW)
THICKNESS 0.80MM;DEFAULT TOLERANCE:±0.05

NOTES:

- Material : See Bill Of Material
- Waterproof : No Waterproof
- Electrical Characteristics:
 Low Level Contact Resistance: 40mΩ Max
 Insulation resistance :100MΩ Min
 Dielectric Withstanding Voltage:100 VAC
 Contact Current Rating :5A Max
- Mechanical Characteristics:
 Insertion Force: 5~20N
 Extraction Force: 8~20N
 After Durability Extraction Force: 6~20N
- Durability: 10000 Cycles
- Packaging Type: Carrier Reel.
- Material Should Be Fulfilled Amphenol SPEC# SSN002
 And Customer Requirements, For HALOGEN FREE Products,
 Also Need To Meet SSN004
- Part Number:12402012E212A

Plating Spec: _____
 E2: Mating Area: Gold flash
 Solder Area: Gold flash
 50u"Min Nickel Under Plating Over All

A:HF
 Package Spec.
 2:Reel
 Date Code Description
 1:Without D/C



UNLESS OTHERWISE SPECIFIED TOLERANCES		APPROVAL		DATE	Amphenol
	U.S.	METRIC	DRAWN	Altan.Lel	
.X	+/-	0.50	CHECKED	Michael.Qin	07/10/20
.XX	+/-	0.15	CHECKED		
.XXX	+/-	0.10	CHECKED	Michael.Qin	
FRACTIONS	+/-		DRAWING FILE :		
ANGLES	+/-	3°	REMOVE SHARP EDGES		
FOR MATERIALS AND FINISHES SEE NOTES			ANGLE OF PROJECTION		
DIMENSIONS			TITLE		
U.S.	INCHES	(METRIC)	Customer Drawing For USB TYPE C 2.0 Top Mount		
CONNECTOR (PCS)		REEL	CARTON	SIZE	DRAWING NO.
		800	8000	A3	C12402012
				SCALE	NONE
				SHEET	2 OF 2
				REV.	4

CONNECTOR (PCS)	REEL	CARTON
	800	8000

