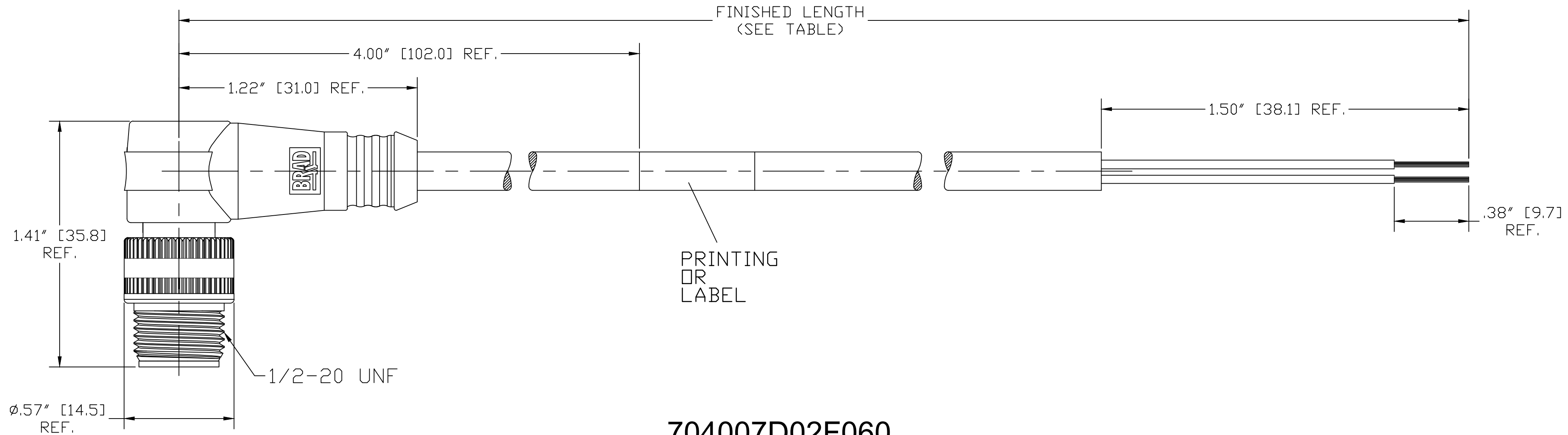


MATERIAL NUMBER	OLD PART NUMBER	FINISHED LENGTH
120072-1022	704007D02F060	19.69' +6.50" -0 [6.0M +165.1mm -0]



704007D02F060

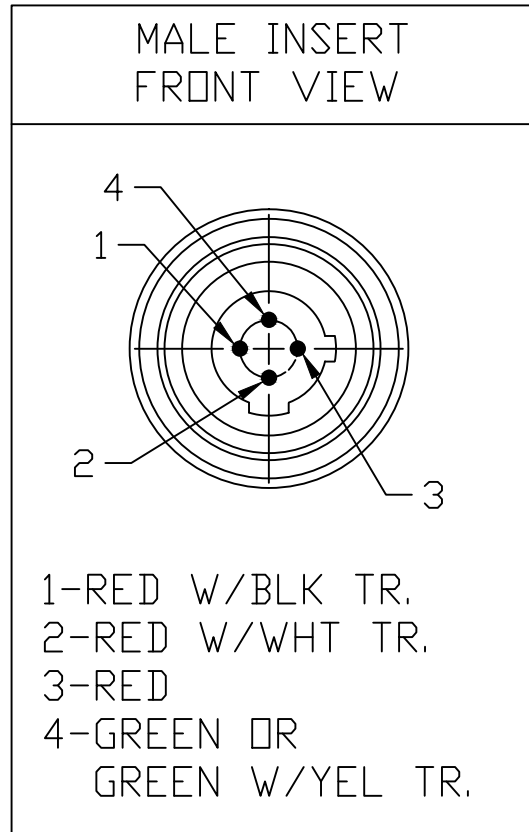
Wire type
4x .34mm²
Yellow Braid PVC

cable length
M020----2 Meter
M100----10 Meter

CONTACT:	BRASS, GOLD PLATED
INSERT:	PUR, BLACK
COUPLING NUT:	ZINC DIE CAST, BLACK E-COATED
MOLDED BODY:	PVC, YELLOW
VOLTAGE RATING:	250 VAC/VDC
AMPERAGE RATING:	4 AMPS
PROTECTION:	IP67
OPERATING TEMPERATURE:	-20°C TO 105°C

1	RED W/BLK TR.
2	RED W/WHT TR.
3	RED
4	GREEN OR GREEN W/YEL TR.

WIRING DIAGRAM



INITIAL RELEASE EC NO.: IPG2014-0063 DRWN: EBRACKEN 2013/06/28 CH'KD: RSTONE APPR: BWOODMAN 2013/08/16	QUALITY SYMBOL	GENERAL TOLERANCES (UNLESS SPECIFIED) <table border="1"> <tr> <td></td> <td>mm</td> <td>INCH</td> </tr> <tr> <td>4 PLACES</td> <td>±---</td> <td>±---</td> </tr> <tr> <td>3 PLACES</td> <td>±---</td> <td>±.005</td> </tr> <tr> <td>2 PLACES</td> <td>±0.13</td> <td>±.010</td> </tr> <tr> <td>1 PLACE</td> <td>±0.25</td> <td>±.020</td> </tr> </table>		mm	INCH	4 PLACES	±---	±---	3 PLACES	±---	±.005	2 PLACES	±0.13	±.010	1 PLACE	±0.25	±.020	DIMENSION STYLE	SCALE	DESIGN UNITS	THIRD ANGLE PROJECTION MICRO-CHANGE ASSEMBLY 4 POLE M/MP 90D #22-4 YELLOW PVC MOLEX INCORPORATED SHEET NO. 1 OF 1
			mm	INCH																	
	4 PLACES		±---	±---																	
	3 PLACES		±---	±.005																	
2 PLACES	±0.13	±.010																			
1 PLACE	±0.25	±.020																			
▽=0 ▽=0	IN/MM	---	INCH																		
DRAFT WHERE APPLICABLE MUST REMAIN WITHIN DIMENSIONS	DRAWN BY DATE EBRACKEN 2013/06/18 CHECKED BY DATE RSTONE APPROVED BY DATE BWOODMAN 2013/08/16	TITLE																			
	MATERIAL NO. SEE CHART SIZE C	DOCUMENT NO. SD-120072-019																			
THIS DRAWING CONTAINS INFORMATION THAT IS PROPRIETARY TO MOLEX INCORPORATED AND SHOULD NOT BE USED WITHOUT WRITTEN PERMISSION																					