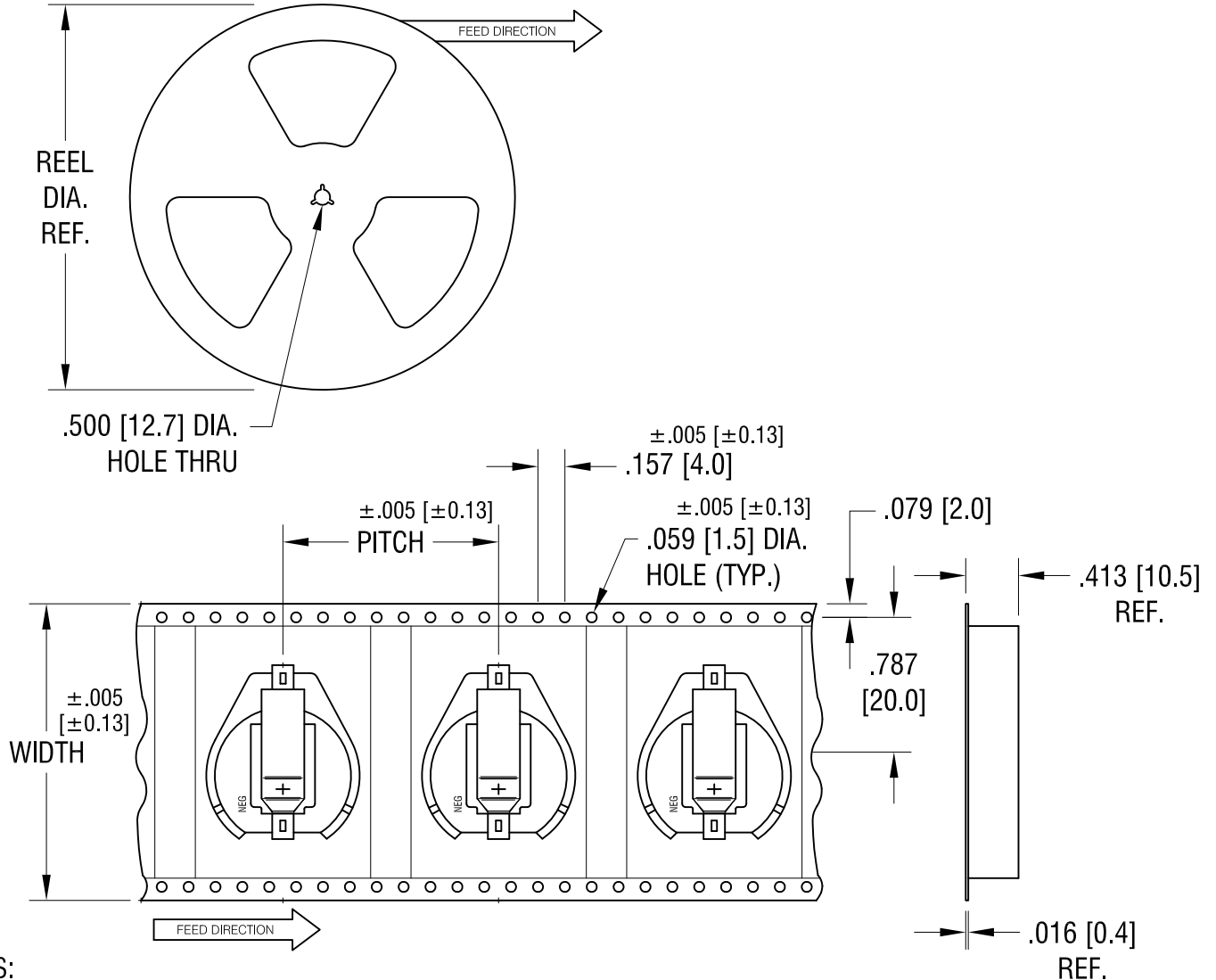


THIS DOCUMENT IS THE PROPERTY OF KEYSTONE ELECTRONICS CORP. AND SHALL NOT BE REPRODUCED, DISTRIBUTED OR USED AS A BASIS FOR MANUFACTURE WITHOUT PRIOR WRITTEN PERMISSION FROM KEYSTONE ELECTRONICS CORP.



**NOTES:**

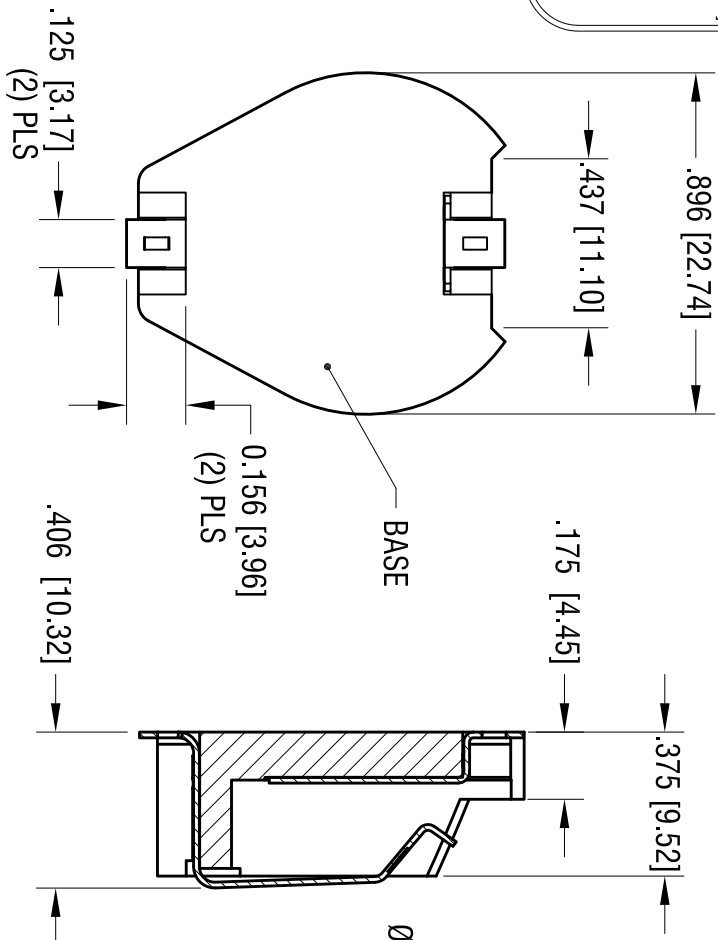
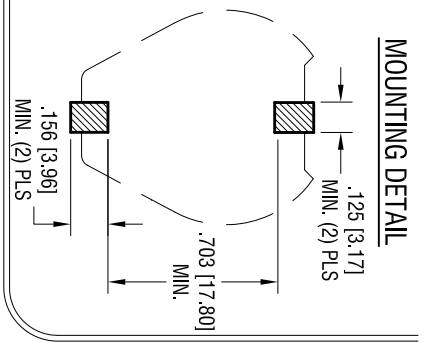
**TAPE AND REEL SPECIFICATIONS:**

- 1. TAPE:  
 MAT'L - ALL CONDUCTIVE POLYSTYRENE CARRIER  
 ANSI/EIA-481 STANDARD  
 1.732 [44.0] WIDE; 1.260 [32.0] PITCH
- 2. REEL:  
 13.0 [330.2] DIA. 200 PIECES OF  
 PART NO. 1062 PER REEL.

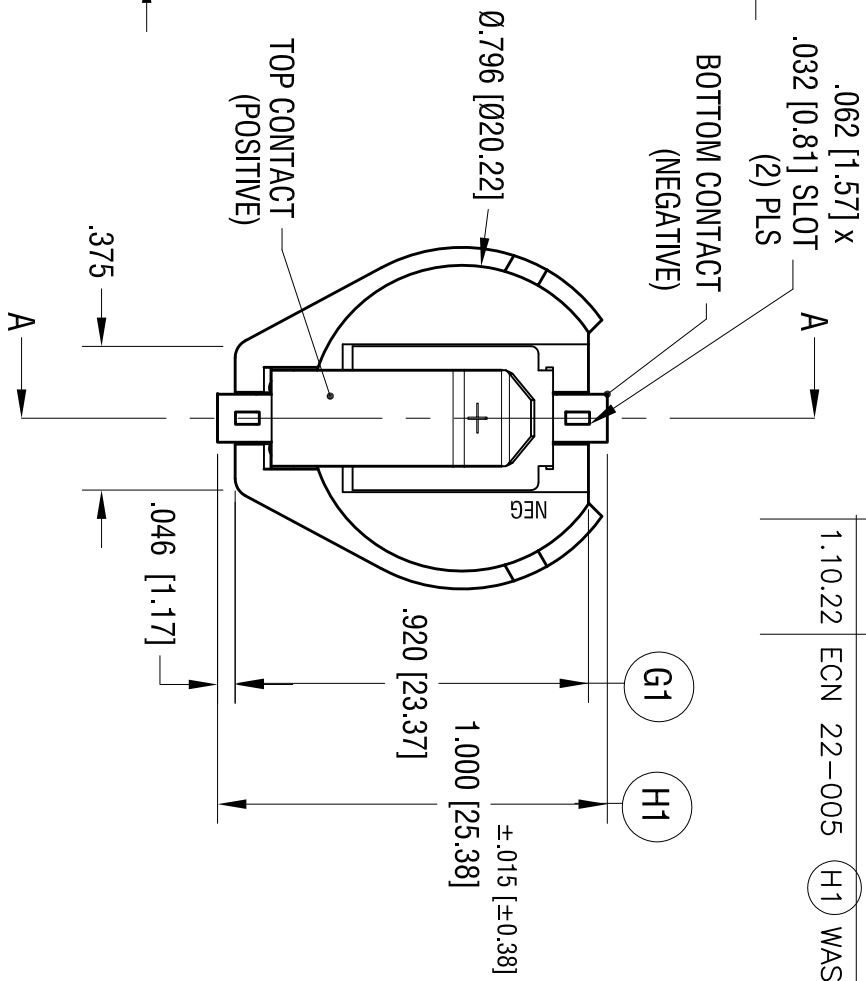
<b>KEYSTONE ELECTRONICS CORP.</b>			
www.keyelco.com • ASTORIA, N.Y. 11105-2017 • Tel (718) 956-8900			
PART NAME			
20mm SM COIN CELL HOLDER ON TAPE			
MATERIAL			
AS NOTED			
FINISH		DRN BY	DATE
AS NOTED		BOONE	5.8.00
		APP'D	SCALE
		LN	X
TOLERANCES	INCH [MM]	CODE	DWG NO.
DECIMAL	± .015 [± 0.38]	C	1062TR
ANGULAR	± 1°		
UNLESS OTHERWISE SPECIFIED			

6.19.07	CHANGE AS PER ECN 07-037	A
DATE	DESCRIPTION	REV.

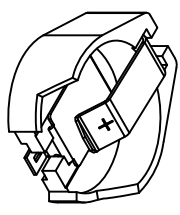
**MOUNTING DETAIL**



**SECTION A-A**



- NOTES:**
1. BASE:  
MATERIAL - HIGH TEMPERATURE NYLON (UL 94V-0)  
COLOR BLACK
  2. CONTACTS (TOP AND BOTTOM):  
MATERIAL - .015 [0.38] THK SPRING STEEL  
FINISH: TIN NICKEL PLATE



**ACTUAL SIZE**

DATE	DESCRIPTION	REV.
9.17.04	CHANGE AS PER ECN 04-105	E
11.04.11	CHANGE AS PER ECN 11-148	F
2.17.21	ECN 21-022 (G1) WAS .931	G
1.10.22	ECN 22-005 (H1) WAS 1.015	H

**KEYSTONE ELECTRONICS CORP.**  
 www.keystec.com • NEW HYDE PARK, NY 11040 • Tel (516) 328-7500

**PART NAME**  
 DUAL 20mm BATTERY HOLDER, SMT

**MATERIAL**  
 AS NOTED

**FINISH**  
 AS NOTED

TOLERANCES	INCH	[MM]	CODE	DWG NO.
DECIMAL	± .010	[± 0.25]	C	
ANGULAR	± 1°			

THIS DOCUMENT IS THE PROPERTY OF KEYSTONE ELECTRONICS CORP. AND SHALL NOT BE REPRODUCED, DISTRIBUTED OR USED AS A BASIS FOR MANUFACTURE WITHOUT PRIOR WRITTEN PERMISSION FROM KEYSTONE ELECTRONICS CORP.

DRN BY: NT DATE: 12.14.92  
 APP'D: LN SCALE: 2X

**1062**