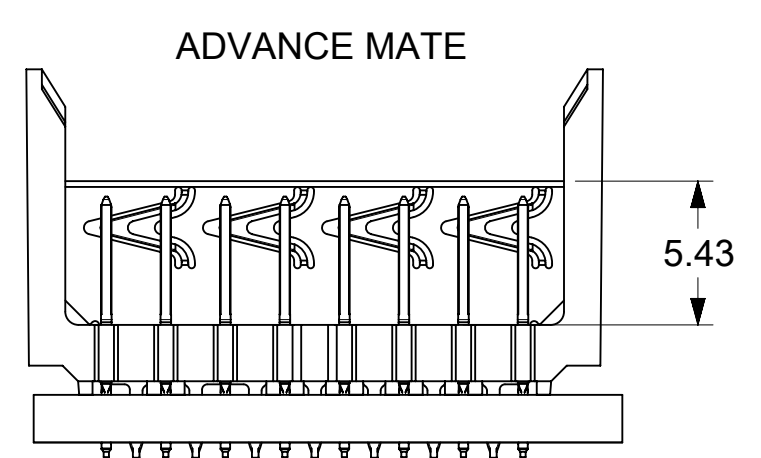
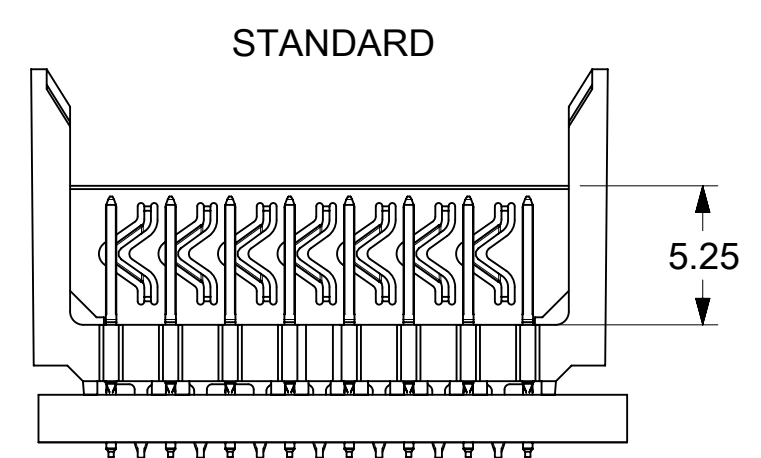


- NOTES:
- MATERIAL; -LIQUID CRYSTAL POLYMER (LCP) GLASS-FILLED. UL 94 V-0. COLOR BLACK. SIGNAL & SHIELD -COPPER ALLOY.
  - FINISHES:  
CONTACT AREA: SELECTIVE GOLD (Au)  
PCB TAILS: SELECTIVE MATTE TIN (Sn)  
NICKEL (Ni) OVERALL.
  - THIS PART CONFORMS TO MOLEX PRODUCT SPECIFICATION PS-74031-999.
  - FOR MIXED CONTACT MATING LENGTHS CONSULT MOLEX FOR AVAILABILITY.
  - FOR SPECIFIC PART NUMBER AND MATING INFORMATION REFER TO SHEET 2.
  - PACKAGE PER PK-74060-003.
  - EITHER MARK PART NUMBER AND DATE CODE APPROXIMATELY WHERE SHOWN OR PLACE LABEL ON THE TUBE.
  - MAPS (MOLEX ADVANCED PLATING SYSTEM).



FUNCTIONAL SYMBOLS	THIS DRAWING CONTAINS INFORMATION THAT IS PROPRIETARY TO MOLEX ELECTRONIC TECHNOLOGIES, LLC AND SHOULD NOT BE USED WITHOUT WRITTEN PERMISSION		CURRENT REV DESC: DRAWING UPDATED	
	DIMENSION UNITS	SCALE		
$\nabla_A = 0$	mm	3.5:1		
$\nabla_C = 0$	GENERAL TOLERANCES (UNLESS SPECIFIED)			
$\nabla_D = 0$	ANGULAR TOL $\pm 0.5^\circ$			
#####	4 PLACES	$\pm$	EC NO: 667326	2021/04/29
	3 PLACES	$\pm$	DRWN: VARUNH	2021/06/18
	2 PLACES	$\pm 0.25$	CHK'D: JKACHLIC	2021/06/18
	1 PLACE	$\pm 0.38$	APPR: JKACHLIC	
	0 PLACES	$\pm$	INITIAL REVISION:	
			DRWN: MQWANG	2001/11/05
			APPR: CBIXLER	2001/11/06
DRAFT WHERE APPLICABLE MUST REMAIN WITHIN DIMENSIONS	THIRD ANGLE PROJECTION	DRAWING	SERIES	DOCUMENT NUMBER
		C-SIZE	74060	SD-74060-003
				DOC TYPE
				PSD
				DOC PART
				001
				REVISION
				G
				MATERIAL NUMBER
				GENERAL MARKET
				CUSTOMER
				SHEET NUMBER
				1 OF 3

MATERIAL NUMBER ASSIGNMENT

74060-\*\*0\*

NUMBER OF COLUMNS/PLATING

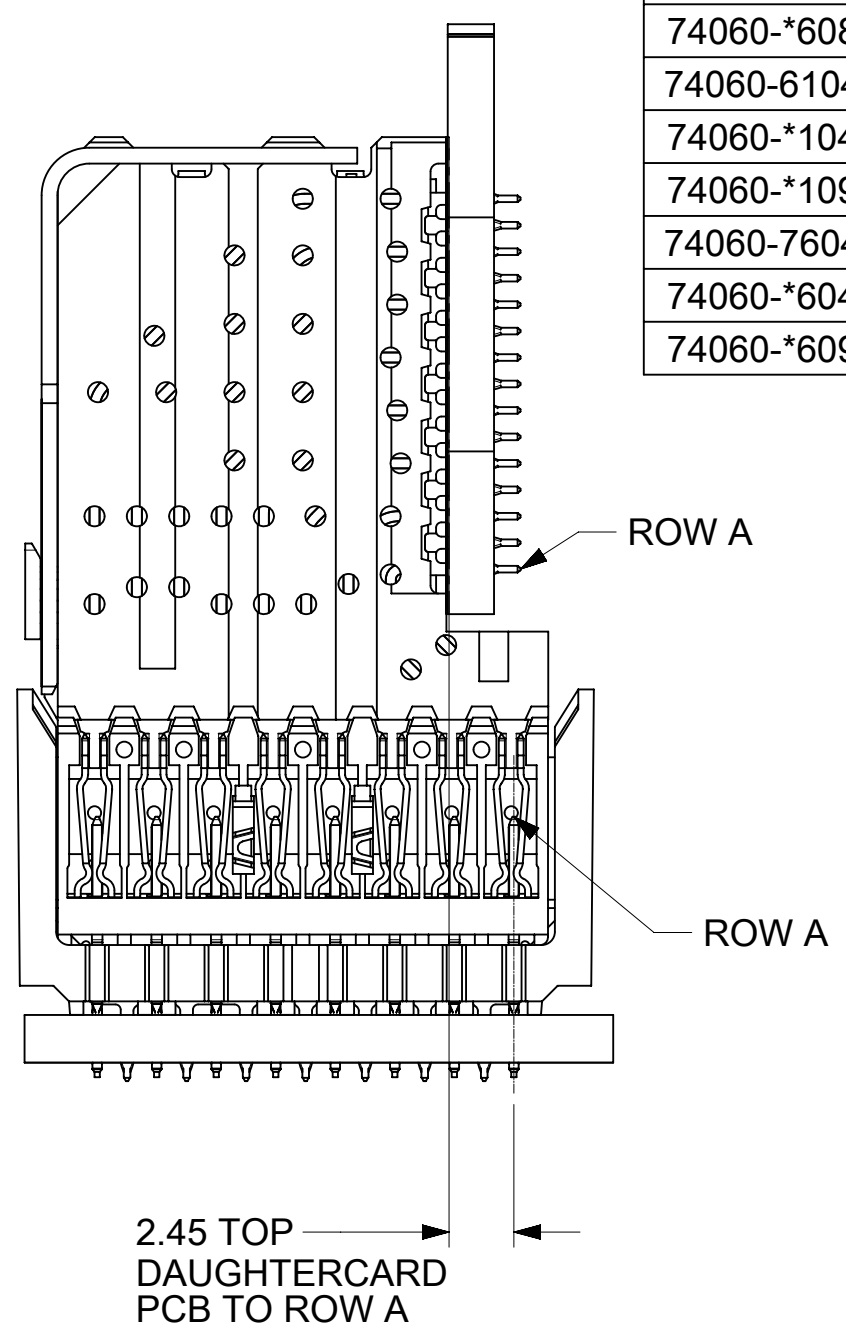
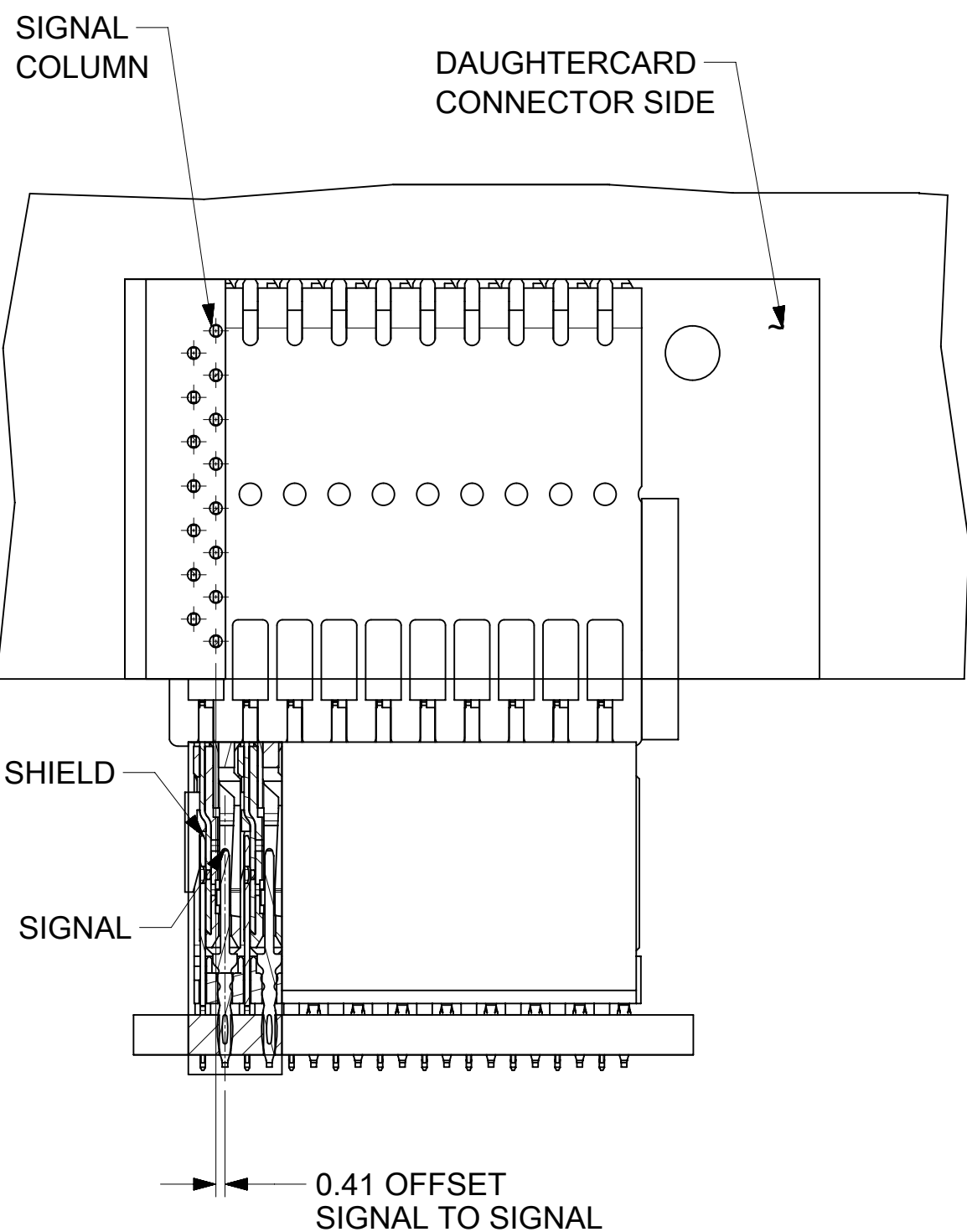
- 11 = 10 COLUMN MATTE TIN (FORMERLY TIN/LEAD)
- 26 = 25 COLUMN MATTE TIN (FORMERLY TIN/LEAD)
- 61 = 10 COLUMN MATTE TIN (MAPS)
- 76 = 25 COLUMN MATTE TIN (MAPS)
- 91 = 10 COLUMN MATTE TIN
- 86 = 25 COLUMN MATTE TIN

PIN HEIGHT / PLATING

- 1-4 = 0.25 or 0.76 GOLD
- 6-9 = 1.27 GOLD

- 1 & 6 = 4.75
- 2 & 7 = 6.25
- 3 & 8 = 4.25
- 4 & 9 = 5.15

PART NUMBER	COLUMN	NUMBER OF SIGNAL PIN	NUMBER OF SHIELD	A	B	M	GOLD THICKNESS MICROMETER	TIN THICKNESS MICROMETER
74060-6101	10	80	10	20.00	18.00	4.75	0.25 MAPS	0.76-1.52
74060-*101							0.76	
74060-*106							1.27	
74060-7601	25	200	25	50.00	48.00	4.75	0.25 MAPS	
74060-*601							0.76	
74060-*606							1.27	
74060-6102	10	80	10	20.00	18.00	6.25	0.25 MAPS	
74060-*102							0.76	
74060-*107							1.27	
74060-7602	25	200	25	50.00	48.00	6.25	0.25 MAPS	
74060-*602							0.76	
74060-*607							1.27	
74060-6103	10	80	10	20.00	18.00	4.25	0.25 MAPS	
74060-*103							0.76	
74060-*108							1.27	
74060-7603	25	200	25	50.00	48.00	4.25	0.25 MAPS	
74060-*603							0.76	
74060-*608							1.27	
74060-6104	10	80	10	20.00	18.00	5.15	0.25 MAPS	
74060-*104							0.76	
74060-*109							1.27	
74060-7604	25	200	25	50.00	48.00	5.15	0.25 MAPS	
74060-*604							0.76	
74060-*609							1.27	



FUNCTIONAL SYMBOLS	THIS DRAWING CONTAINS INFORMATION THAT IS PROPRIETARY TO MOLEX ELECTRONIC TECHNOLOGIES, LLC AND SHOULD NOT BE USED WITHOUT WRITTEN PERMISSION		
	DIMENSION UNITS	SCALE	CURRENT REV DESC: DRAWING UPDATED
$\nabla_A = 0$	mm	3.5:1	EC NO: 667326 DRWN: VARUNH 2021/04/29 CHK'D: JKACHLIC 2021/06/18 APPR: JKACHLIC 2021/06/18
$\nabla_C = 0$	GENERAL TOLERANCES (UNLESS SPECIFIED)		
$\nabla_P = 0$	ANGULAR TOL $\pm 0.5^\circ$		INITIAL REVISION: DRWN: MQWANG 2001/11/05 APPR: CBIXLER 2001/11/06
#####	4 PLACES	$\pm$	
	3 PLACES	$\pm$	DOCUMENT NUMBER <b>SD-74060-003</b>
	2 PLACES	$\pm 0.25$	
	1 PLACE	$\pm 0.38$	DOC TYPE PSD
	0 PLACES	$\pm$	DOC PART 001
	DRAFT WHERE APPLICABLE MUST REMAIN WITHIN DIMENSIONS		REVISION <b>G</b>
	THIRD ANGLE PROJECTION	DRAWING	MATERIAL NUMBER
		C-SIZE	CUSTOMER GENERAL MARKET
		SERIES 74060	SHEET NUMBER 2 OF 3

DATE	REVERSION	DESCRIPTION
2021.06.16	G	1. DRAWING MIGRATION; 2. SHEET 1 F3: ADD ISOMETRIC VIEW TO SHOW THE SIDE NOTCH ON HOUSING; 3. SHEET 1 E10: AMEND 0.21MAX TO 0.21(+0.25), PER ACTUAL PART DIMENSION; 4. SHEET 1 D11: CHANGE LOGO FROM "USA" TO "CD", SINCE PART PRODUCTION TRANSFERED TO CHENGDU ALREADY.

<b>FUNCTIONAL SYMBOLS</b> FA = 0 FC = 0 FP = 0 ##### DRAFT WHERE APPLICABLE MUST REMAIN WITHIN DIMENSIONS	THIS DRAWING CONTAINS INFORMATION THAT IS PROPRIETARY TO MOLEX ELECTRONIC TECHNOLOGIES, LLC AND SHOULD NOT BE USED WITHOUT WRITTEN PERMISSION													
	DIMENSION UNITS	SCALE	CURRENT REV DESC: DRAWING UPDATED											
	mm	3.5:1	EC NO: 667326											
	GENERAL TOLERANCES (UNLESS SPECIFIED)			DRWN: VARUNH				2021/04/29		VHDM SALES ASSEMBLY 8 ROW ADVANCE MATE OPEN END BACKPLANE PRODUCT CUSTOMER DRAWING				
	ANGULAR TOL ± 0.5°			CHK'D: JKACHLIC				2021/06/18						
	4 PLACES ±			APPR: JKACHLIC				2021/06/18						
	3 PLACES ±			INITIAL REVISION:				DOCUMENT NUMBER		DOC TYPE	DOC PART	REVISION		
	2 PLACES ± 0.25			DRWN: MQWANG				2001/11/05		SD-74060-003		PSD	001	G
	1 PLACE ± 0.38			APPR: CBIXLER				2001/11/06		MATERIAL NUMBER		CUSTOMER		SHEET NUMBER
	0 PLACES ±			THIRD ANGLE PROJECTION		DRAWING	SERIES	GENERAL MARKET		3 OF 3				
					C-SIZE	74060								

DOCUMENT STATUS	P1	RELEASE DATE	2021/06/18	02:55:58
-----------------	----	--------------	------------	----------