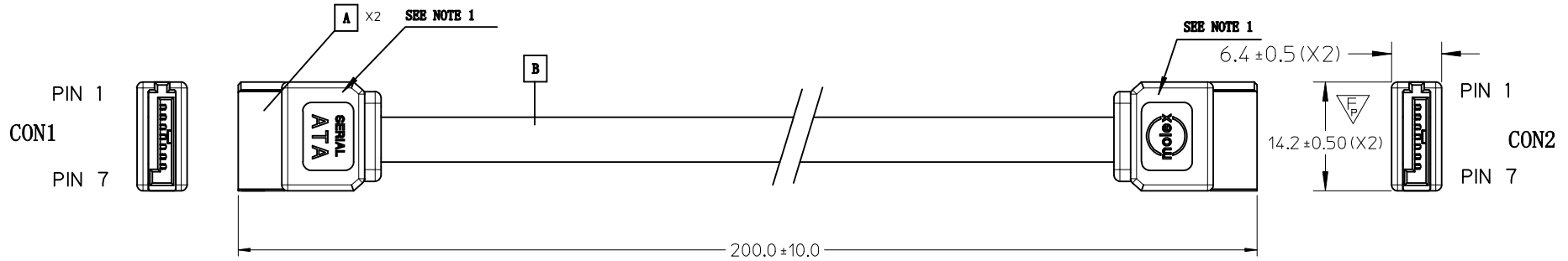
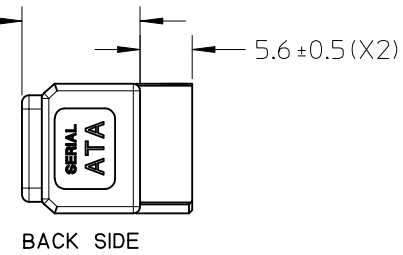
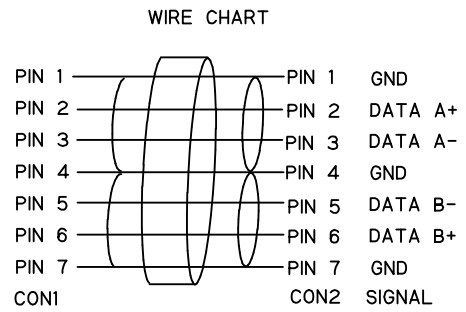


REVISIONS				
EC NO	DATE	REV	DESCRIPTION	CHANGER
N/A	2014/08/26	A	INITIAL RELEASE	LUCY



NOTE:

1. OUTER MOLD WITH BLACK PVC RESIN
INNER MOLD WITH PE RESIN
2. ELECTRICAL PERFORMANCE
ALL TEST DUABILITY: 0.01 SEC
2.1. DIELECTRONIC STRENGTH: 500V DC
2.2. INSULATION RESISTANCE: 100M OHMS MIN.
2.3. CONDUCTIVE RESISTOR: 2 OHMS MAX.
3. THIS PRODUCT MUST MEET MOLEX QEHS-699000-301



ITEM	DESCRIPTION	L(MM)	QTY
B	2PX26AWG:SHLD:PVC:GY:2.2X7.6MM:SATA 1.0	AR	1
A	SATA RECEPT.SIGNAL CABLE CONN STRAIGHT		2

ENTER DESCRIPTION EC NO: CPG2015-1141 DRWN: JX1A004 CHKD: LUCY APPR: FNIE	QUALITY SYMBOLS 	GENERAL TOLERANCES (UNLESS SPECIFIED)		DIMENSION STYLE MM ONLY		SCALE ---	DESIGN UNITS METRIC	THIRD ANGLE PROJECTION			
		4 PLACES ± --- ± --- 3 PLACES ± --- ± --- 2 PLACES ± 0.25 ± --- 1 PLACE ± 0.50 ± --- 0 PLACE ± --- ± ---		DRAWN BY DATE JX1A004 2014/09/05 CHECKED BY DATE LUCY 2014/09/05 APPROVED BY DATE FNIE 2014/09/09		SATA ST TO ST W/O LATCH, 200MM 					
		ANGULAR ± 3 ° DRAFT WHERE APPLICABLE MUST REMAIN WITHIN DIMENSIONS		MATERIAL NO. 687610717						DOCUMENT NO. SD-68761-473	
		SIZE 		THIS DRAWING CONTAINS INFORMATION THAT IS PROPRIETARY TO MOLEX INCORPORATED AND SHOULD NOT BE USED WITHOUT WRITTEN PERMISSION							
		REV A									