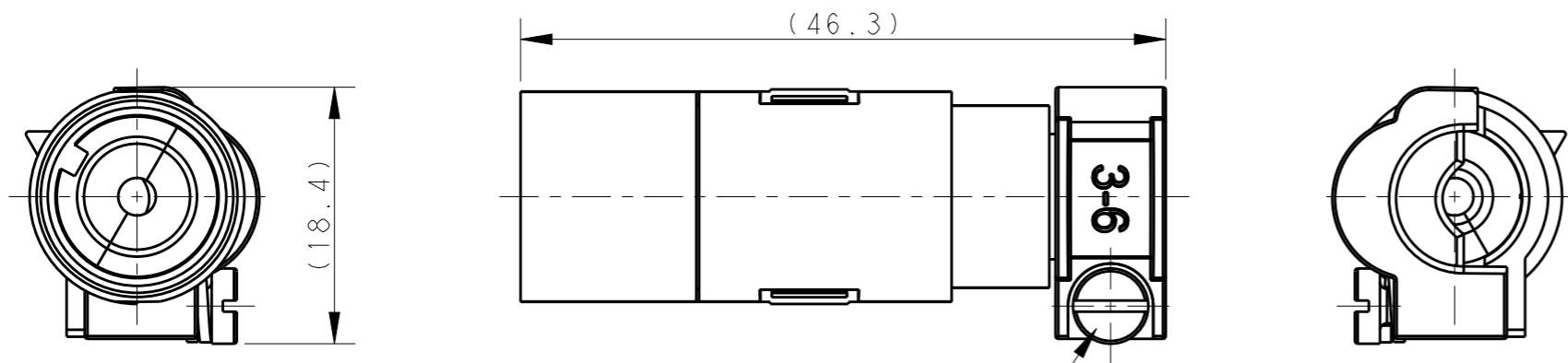


REVISIONS

P	LTR	DESCRIPTION	DATE	DWN	APVD
	A	INITIAL RELEASE	26AUG2016	DW	CW
	A1	ECR-17-009384	25DEC2017	RL	CW

ASSEMBLY STATE OF THE PRODUCT, FOR REFERENCE

产品装配状态, 供参考



M3 SCREW, RECOMMENDED
 TIGHTENING TORQUE 0.5 Nm
 M3螺丝, 推荐锁紧力矩 0.5 Nm

NOTES:

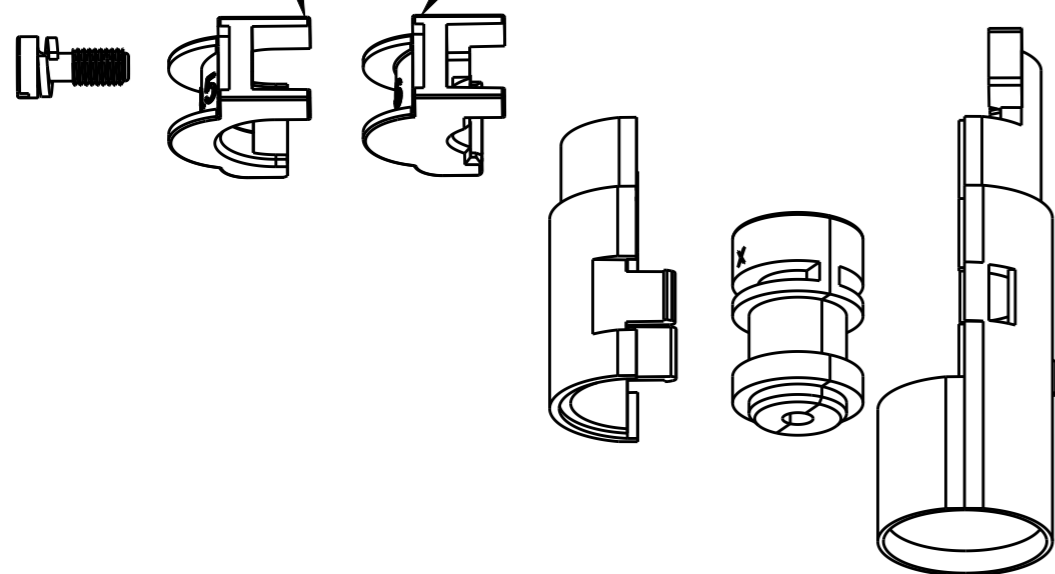
- TECHNICAL CHARACTERISTICS:
 INSULATION MATERIAL: PC
 RATED VOLTAGE: 50V
 RATED CURRENT: 16A
 RATED IMPULSE VOLTAGE: 0.8KV
 POLLUTION DEGREE: 3
 FLAMMABILITY: UL94V-0
 WIRE RANGE: 0.14-4.0 mm² (26-12 AWG)
 CONTACT TYPE: CRIMP CONTACT
- CONTACT NEED TO BE ORDERED SEPARATELY.
 (ORDER No. REFER TO DRAWING: T20300X10XX000)

注释:


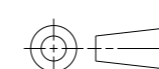
- 技术参数:
 绝缘材料: PC
 额定电压: 50V
 额定电流: 16A
 额定脉冲电压: 0.8KV
 污染等级: 3
 阻燃等级: UL94V-0
 接线范围: 0.14-4.0 mm² (26-12 AWG)
 接线类型: 冷压接
- 端子需要单独订购.
 (订货号参考图面: T20300X10XX000)

FOR Ø 6-9.5mm CABLE
 用于直径Ø 6-9.5mm 电缆线

FOR Ø 3-6mm CABLE
 用于直径Ø 3-6mm 电缆线



T2580011154-000	PIN-Q1-M	QUINTAX MALE CONTACT 1-POS QUINTAX 1-POS公针
PART NUMBER 料号	PART DESCRIPTION 描述	

THIS DRAWING IS A CONTROLLED DOCUMENT.		DWN 26AUG2016 DAVID WANG	 TE Connectivity	
		CHK 26AUG2016 CHRIS WANG		
		APVD 26AUG2016 XIANG XU		
		PRODUCT SPEC 108-137067		
DIMENSIONS: mm 		TOLERANCES UNLESS OTHERWISE SPECIFIED: 0 PLC ±- 1 PLC ±- 2 PLC ±- 3 PLC ±- 4 PLC ±- ANGLES ±-	NAME QUINTAX MALE CONTACT 1-POS PIN-Q1-M	
MATERIAL -		FINISH -	APPLICATION SPEC 114-137067	SIZE CAGE CODE DRAWING NO RESTRICTED TO A3 00779 C-T2580011154000 -
			WEIGHT -	SCALE 2:1 SHEET 1 OF 1 REV A1
			Customer Drawing	