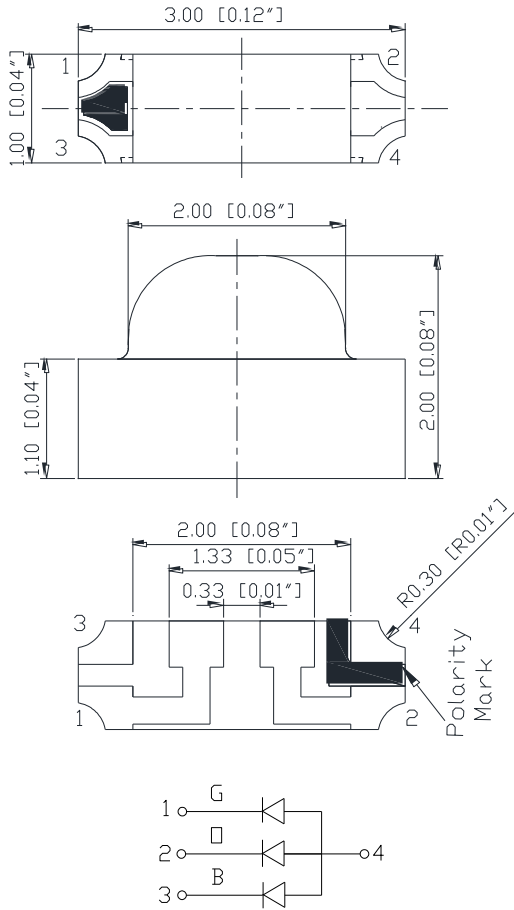
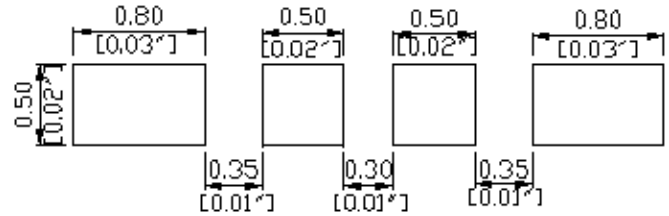


SPECIFICATION
CSRT125R2GT2B2C-2
PACKAGE OUTLINES

RECOMMENDED PAD LAYOUT

Notes:

1. All dimensions are in millimeters (inches).
2. Tolerance is $\pm 0.25\text{mm}$ (0.01") unless otherwise noted.
3. Specifications are subject to change without notice.

Part Number	Chip Material	Color of Emission	Lens Type	Viewing Angle
CSRT125R2GT2B2C-2	InGaAlP	Red	Water Clear	150°
	InGaN	True Green	Water Clear	150°
	InGaN	Blue	Water Clear	150°



ChromeLED Corp. reserves the right to make changes at any time in order to supply the best product possible. The most current version of this document will always be available at: www.chromeled.com

ABSOLUTE MAXIMUM RATINGS
(TA=25°C)

Parameter	Symbol	Max Rating		Unit
		Blue/ Green	Red	
Forward Current	IF	30	30	mA
Reverse Voltage	VR	5	5	V
Power Dissipation	Pd	111	75	mW
Operating Temperature Range	TOP	-40~+80		°C
Storage Temperature Range	TSTG	-40~+85		°C
Peak Pulsing Current (tp ≤ 10 μs, duty cycle = 0.005)	IFP	125	125	mA

OPTICAL-ELECTRICAL CHARACTERISTICS
(TA=25°C)

Parameter	Symbol	Test Condition	Color	Value			Unit
				Min	Typ	Max	
Luminous Intensity	Iv	IF = 20mA	Red	80	190	-	mcd
			Green	320	530	-	
			Blue	60	100	-	
Forward Voltage	VF	IF = 20mA	Red	-	2.0	2.5	V
			Green	-	3.1	3.7	
			Blue	-	3.1	3.7	
Viewing Angle at 50% Iv	2θ1/2	IF = 20mA	-	-	150	-	Deg
Dominant Wavelength	λD	IF = 20mA	Red	-	625	-	nm
			Green	-	525	-	
			Blue	-	470	-	

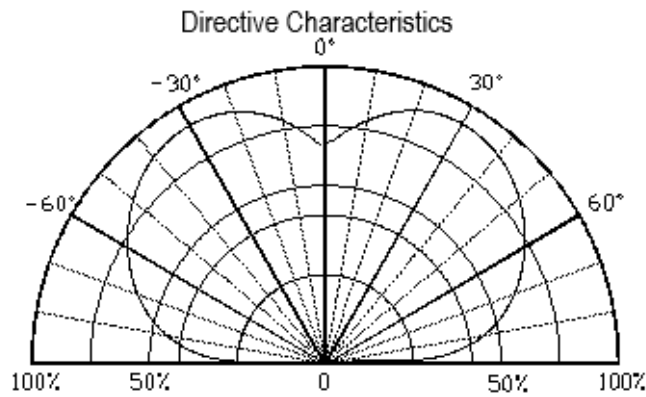
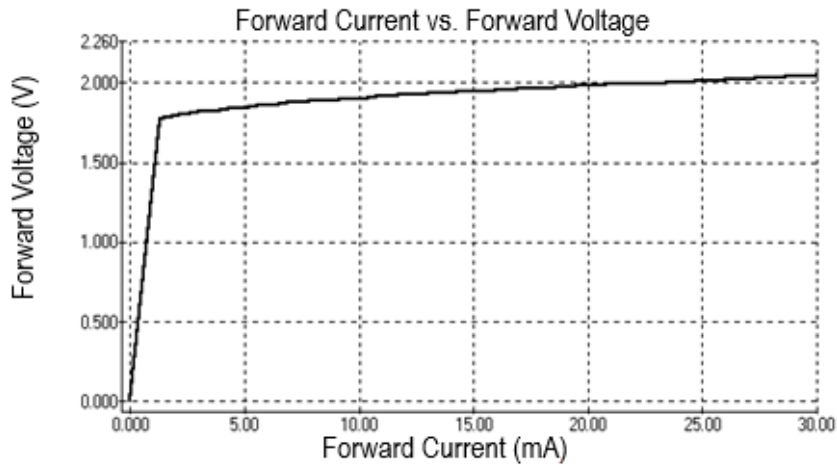
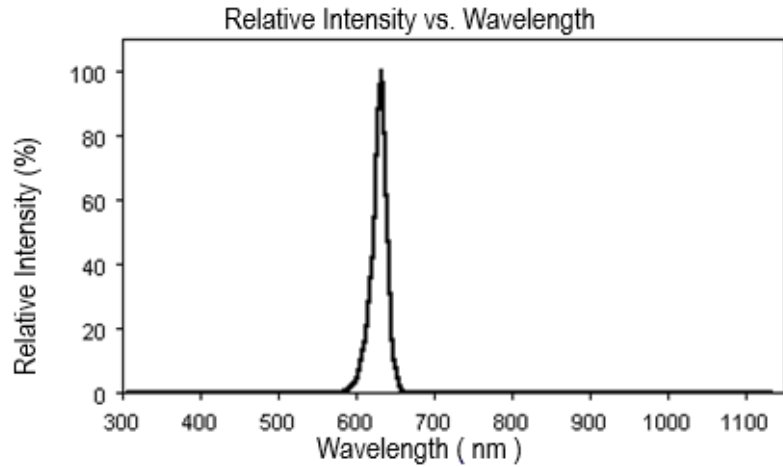
*Tolerance of viewing angle: -10 / +5 deg.

*Tolerance of forward voltage is -/+ 0.05V

*Tolerance of luminous intensity -/+ 1nm


 ChromeLED Corp. reserves the right to make changes at any time in order to supply the best product possible. The most current version of this document will always be available at: www.chromeled.com

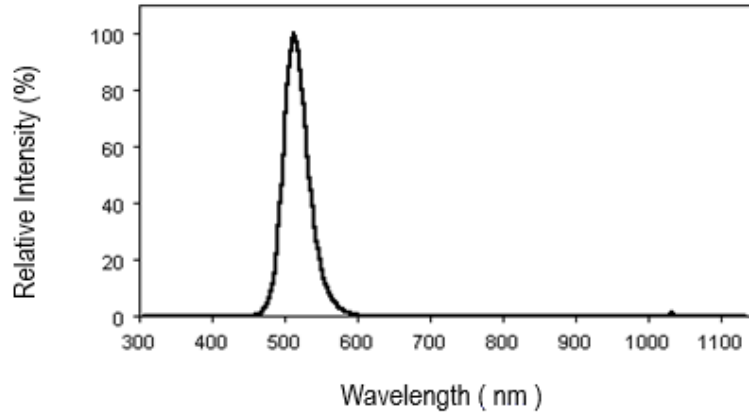
TYPICAL ELECTRO-OPTICAL CHARACTERISTIC CURVES (RED)



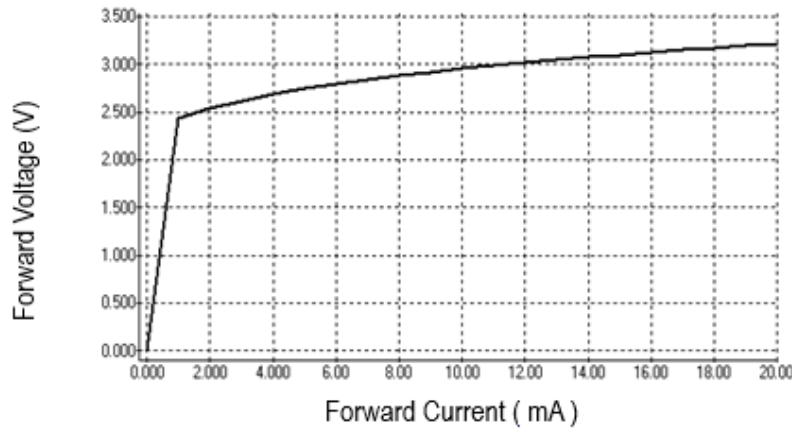
ChromeLED Corp. reserves the right to make changes at any time in order to supply the best product possible. The most current version of this document will always be available at: www.chromeled.com

TYPICAL ELECTRO-OPTICAL CHARACTERISTIC CURVES (GREEN)

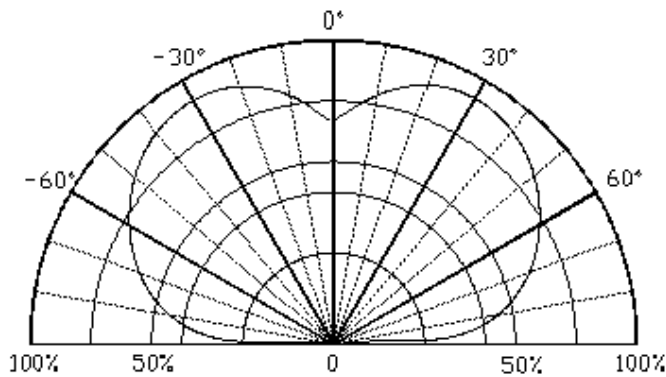
Relative Intensity vs. Wavelength



Forward Current vs. Forward Voltage



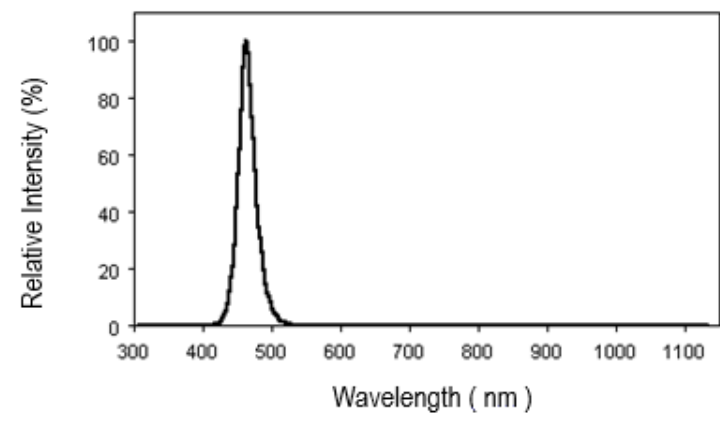
Directive Characteristics



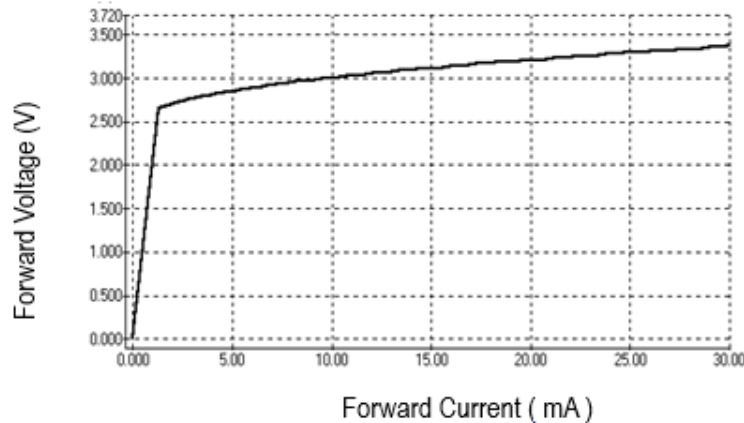
ChromeLED Corp. reserves the right to make changes at any time in order to supply the best product possible. The most current version of this document will always be available at: www.chromeled.com

TYPICAL ELECTRO-OPTICAL CHARACTERISTIC CURVES (BLUE)

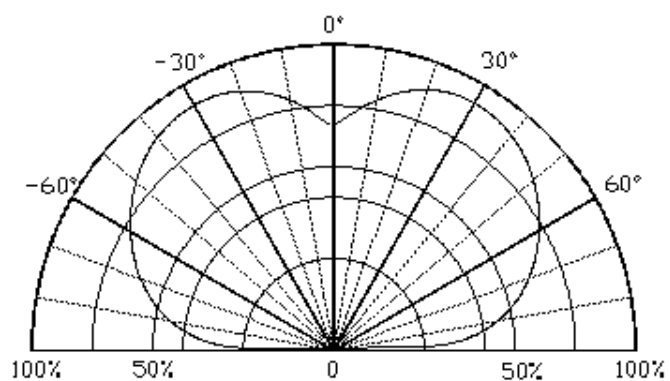
Relative Intensity vs. Wavelength



Forward Current vs. Forward Voltage



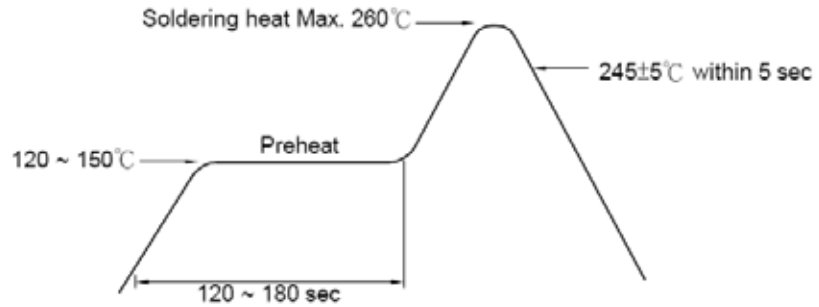
Directive Characteristics



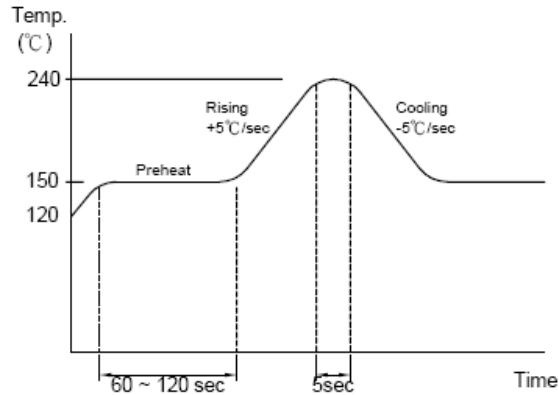
ChromeLED Corp. reserves the right to make changes at any time in order to supply the best product possible. The most current version of this document will always be available at: www.chromeled.com

SOLDERING CONDITIONS

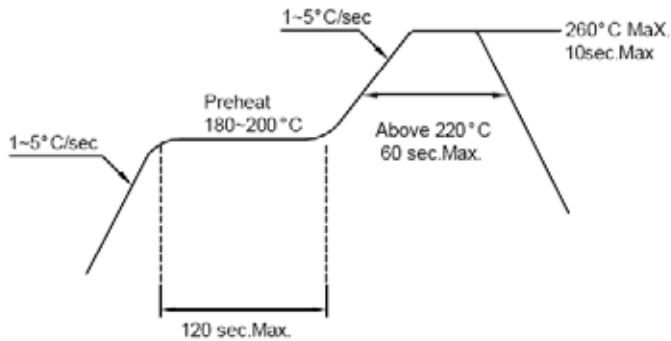
1. Hand Solder
Basic spec is $\leq 280^{\circ}\text{C}$ 3 sec one time only.
2. Wave Solder



3-1. LEAD Reflow Solder



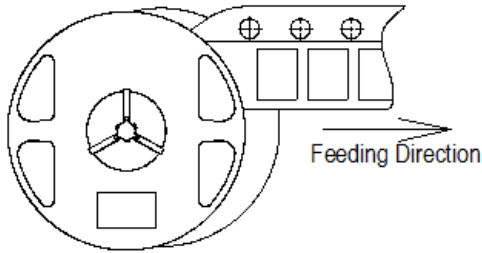
3-2. PB-Free Reflow Solder



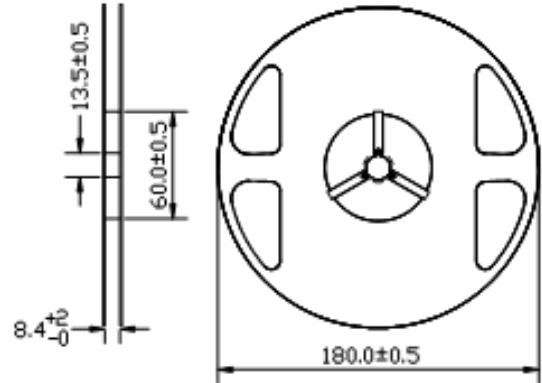
ChromeLED Corp. reserves the right to make changes at any time in order to supply the best product possible. The most current version of this document will always be available at: www.chromeled.com

REEL PACKAGING

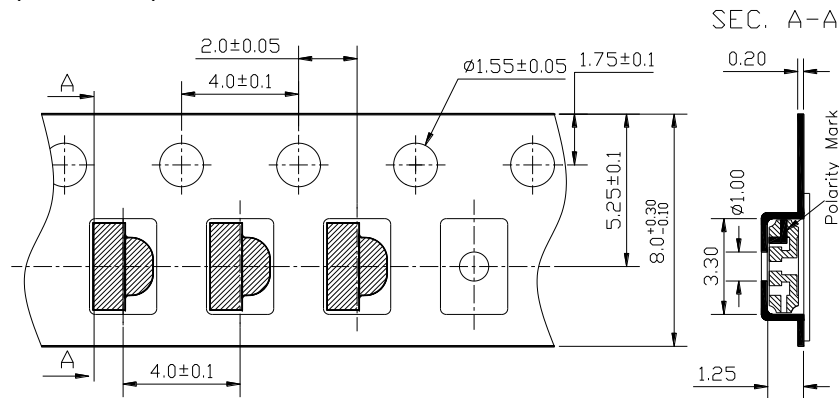
Feeding Direction



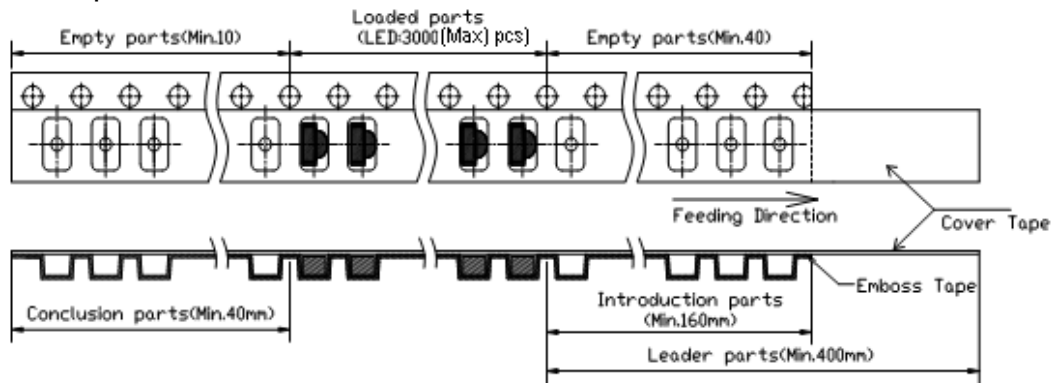
Dimensions of Reel (Unit: mm)



Dimensions of Tape (Unit: mm)



Arrangement of Tape



Notes:

1. Empty component pockets are sealed with top cover tape.
2. The maximum number of missing lamp is two.
3. The polarity mark is oriented towards the tape sprocket hole;
4. 3,000 (Max) pcs/Reel



ChromeLED Corp. reserves the right to make changes at any time in order to supply the best product possible. The most current version of this document will always be available at: www.chromeled.com