



### TE Connectivity

Product Change Notification: E-19-011875

PCN Date: 11-DEC-19

TE would like to inform you of the following change(s) to the listed TE Connectivity Product. In case of any further questions about this change(s), please contact your TE Connectivity Sales Engineer. Affected part, drawing and/or specification numbers are listed on the attached sheet(s).

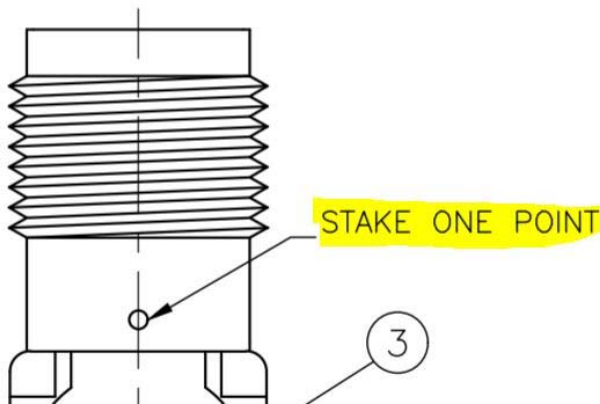
**General Product Description:**

RF Connector

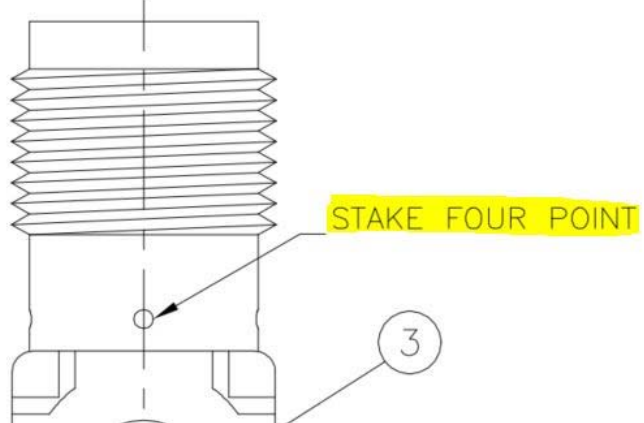
**Description of Changes**

1)Update the current packaging(tray and single bag) to tape and reel; 2)Create new part number 5-1814400-2 with tape and reel packaging; 3)Supersede P/N 5-1814400-0 (tray) to 5-1814400-2 (tape and reel); 4)Supersede P/N 5-1814400-1 ( single bag) to 5-1814400-2 (tape and reel); 5)Print TE P/N and Date code on the tape of 5-1814400-2; 6)Uplate staking from one point to four points;

Before(stake one point)



After(stake four points)



Single Pack(5-1814400-1)



Tape and Reel(5-1814400-2)



Tray Pack(5-1814400-0)



Tape and Reel(5-1814400-2)



Other attachments:

[Customer Drawing](#)

<b>Reason for Changes:</b>	
Product Improvement.	
<b>Estimated Dates:</b>	
<b>Last Order Date</b> (Obsolete Parts Only):	<b>First Date To Ship</b> (Changed Parts Only):
01-MAR-2020	
<b>Last Ship Date</b> (Obsolete Parts Only):	<b>Last Date for Mixed Shipments:</b> (Changed Parts Only):
01-APR-2020	No Mixed Shipments

Part Number(s) being Modified:

Part Number	Part Discontinued per PCN	Customer Drawing	Customer Part Number	Alias Part Number(s)	Substitute Part Number	Substitute Alias Part Number(s)	Description Of Difference
<a href="#">5-1814400-1</a>	YES				5-1814400-2		packaging type
<a href="#">5-1814400-1</a>	YES				5-1814400-2		packaging type

Part Number(s) being Modified:

Part Number	Part Discontinued per PCN	Customer Drawing	Customer Part Number	Alias Part Number(s)	Substitute Part Number	Substitute Alias Part Number(s)	Description Of Difference
<a href="#">5-1814400-1</a>	YES				5-1814400-2		packaging type

Part Number(s) being Modified:

Part Number	Part Discontinued per PCN	Customer Drawing	Customer Part Number	Alias Part Number(s)	Substitute Part Number	Substitute Alias Part Number(s)	Description Of Difference
<a href="#">5-1814400-1</a>	YES				5-1814400-2		packaging type