



SIRIUS soft starter 200-480 V 250 A, 110-250 V AC Spring-loaded terminals Analog output

product brand name	SIRIUS
product category	Hybrid switching devices
product designation	Soft starter
product type designation	3RW50
manufacturer's article number	
<ul style="list-style-type: none"> • of standard HMI module usable • of high feature HMI module usable • of communication module PROFINET standard usable • of communication module PROFIBUS usable • of communication module Modbus TCP usable • of communication module Modbus RTU usable • of communication module Ethernet/IP • of circuit breaker usable at 400 V • of circuit breaker usable at 500 V • of the gG fuse usable up to 690 V • of full range R fuse link for semiconductor protection usable up to 690 V • of back-up R fuse link for semiconductor protection usable up to 690 V • of line contactor usable up to 480 V • of line contactor usable up to 690 V 	3RW5980-0HS01 3RW5980-0HF00 3RW5980-0CS00 3RW5980-0CP00 3RW5980-0CT00 3RW5980-0CR00 3RW5980-0CE00 3VA2440-7MN32-0AA0: Type of assignment 1, Iq = 65 kA 3VA2440-7MN32-0AA0: Type of assignment 1, Iq = 65 kA 2x3NA3354-6; Type of coordination 1, Iq = 65 kA 3NE1 331-0: Type of coordination 2, Iq = 65 kA 3NE3 335: Type of coordination 2, Iq = 65 kA 3RT1065 3RT1065
General technical data	
starting voltage [%]	30 ... 100 %
stopping voltage [%]	50 %; non-adjustable
start-up ramp time of soft starter	0 ... 20 s
ramp-down time of soft starter	0 ... 20 s
current limiting value [%] adjustable	130 ... 700 %
accuracy class according to IEC 61557-12	5 %
certificate of suitability	
<ul style="list-style-type: none"> • CE marking • UL approval • CSA approval 	Yes Yes Yes
product component	
<ul style="list-style-type: none"> • HMI-High Feature • is supported HMI-Standard • is supported HMI-High Feature 	No Yes Yes
product feature integrated bypass contact system	Yes
number of controlled phases	2
trip class	CLASS 10A / 10E (preset) / 20E; acc. to IEC 60947-4-2

buffering time in the event of power failure	
• for main current circuit	100 ms
• for control circuit	100 ms
insulation voltage rated value	600 V
degree of pollution	3, acc. to IEC 60947-4-2
impulse voltage rated value	6 kV
blocking voltage of the thyristor maximum	1 600 V
service factor	1
surge voltage resistance rated value	6 kV
maximum permissible voltage for safe isolation	
• between main and auxiliary circuit	600 V
shock resistance	15 g / 11 ms, from 12 g / 11 ms with potential contact lifting
vibration resistance	15 mm to 6 Hz; 2g to 500 Hz
utilization category according to IEC 60947-4-2	AC-53a
reference code according to IEC 81346-2	Q
Substance Prohibitance (Date)	09/23/2019
product function	
• ramp-up (soft starting)	Yes
• ramp-down (soft stop)	Yes
• Soft Torque	Yes
• adjustable current limitation	Yes
• pump ramp down	Yes
• intrinsic device protection	Yes
• motor overload protection	Yes; Electronic motor overload protection
• evaluation of thermistor motor protection	No
• auto-RESET	Yes
• manual RESET	Yes
• remote reset	Yes; By turning off the control supply voltage
• communication function	Yes
• operating measured value display	Yes; Only in conjunction with special accessories
• error logbook	Yes; Only in conjunction with special accessories
• via software parameterizable	No
• via software configurable	Yes
• PROFenergy	Yes; in connection with the PROFINET Standard communication module
• voltage ramp	Yes
• torque control	No
• analog output	Yes; 4 ... 20 mA (default) / 0 ... 10 V (parameterizable with High Feature HMI)

Power Electronics	
operational current	
• at 40 °C rated value	250 A
• at 50 °C rated value	220 A
• at 60 °C rated value	200 A
operating voltage	
• rated value	200 ... 480 V
relative negative tolerance of the operating voltage	-15 %
relative positive tolerance of the operating voltage	10 %
operating power for 3-phase motors	
• at 230 V at 40 °C rated value	75 kW
• at 400 V at 40 °C rated value	132 kW
Operating frequency 1 rated value	50 Hz
Operating frequency 2 rated value	60 Hz
relative negative tolerance of the operating frequency	-10 %
relative positive tolerance of the operating frequency	10 %
adjustable motor current	
• at rotary coding switch on switch position 1	100 A
• at rotary coding switch on switch position 2	110 A
• at rotary coding switch on switch position 3	120 A
• at rotary coding switch on switch position 4	130 A

<ul style="list-style-type: none"> • at rotary coding switch on switch position 5 • at rotary coding switch on switch position 6 • at rotary coding switch on switch position 7 • at rotary coding switch on switch position 8 • at rotary coding switch on switch position 9 • at rotary coding switch on switch position 10 • at rotary coding switch on switch position 11 • at rotary coding switch on switch position 12 • at rotary coding switch on switch position 13 • at rotary coding switch on switch position 14 • at rotary coding switch on switch position 15 • at rotary coding switch on switch position 16 • minimum 	140 A 150 A 160 A 170 A 180 A 190 A 200 A 210 A 220 A 230 A 240 A 250 A 100 A
minimum load [%]	15 %; Relative to smallest settable le
power loss [W] for rated value of the current at AC	
<ul style="list-style-type: none"> • at 40 °C after startup • at 50 °C after startup • at 60 °C after startup 	23 W 18 W 15 W
power loss [W] at AC at current limitation 350 %	
<ul style="list-style-type: none"> • at 40 °C during startup • at 50 °C during startup • at 60 °C during startup 	2 454 W 2 043 W 1 786 W
type of the motor protection	Electronic, tripping in the event of thermal overload of the motor
Control circuit/ Control	
type of voltage of the control supply voltage	AC
control supply voltage at AC	
<ul style="list-style-type: none"> • at 50 Hz • at 60 Hz 	110 ... 250 V 110 ... 250 V
relative negative tolerance of the control supply voltage at AC at 50 Hz	-15 %
relative positive tolerance of the control supply voltage at AC at 50 Hz	10 %
relative negative tolerance of the control supply voltage at AC at 60 Hz	-15 %
relative positive tolerance of the control supply voltage at AC at 60 Hz	10 %
control supply voltage frequency	50 ... 60 Hz
relative negative tolerance of the control supply voltage frequency	-10 %
relative positive tolerance of the control supply voltage frequency	10 %
control supply current in standby mode rated value	30 mA
holding current in bypass operation rated value	105 mA
locked-rotor current at close of bypass contact maximum	2.2 A
inrush current peak at application of control supply voltage maximum	12.2 A
duration of inrush current peak at application of control supply voltage	2.2 ms
design of the overvoltage protection	Varistor
design of short-circuit protection for control circuit	4 A gG fuse (I _{cu} =1 kA), 6 A quick-acting fuse (I _{cu} =1 kA), C1 miniature circuit breaker (I _{cu} = 600 A), C6 miniature circuit breaker (I _{cu} = 300 A); Is not part of scope of supply
Inputs/ Outputs	
number of digital inputs	1
number of digital outputs	3
<ul style="list-style-type: none"> • not parameterizable 	2
digital output version	2 normally-open contacts (NO) / 1 changeover contact (CO)
number of analog outputs	1
switching capacity current of the relay outputs	
<ul style="list-style-type: none"> • at AC-15 at 250 V rated value • at DC-13 at 24 V rated value 	3 A 1 A

Installation/ mounting/ dimensions	
mounting position	with vertical mounting surface +/-90° rotatable, with vertical mounting surface +/- 22.5° tiltable to the front and back
fastening method	screw fixing
height	230 mm
width	160 mm
depth	282 mm
required spacing with side-by-side mounting	
<ul style="list-style-type: none"> • forwards • backwards • upwards • downwards • at the side 	10 mm 0 mm 100 mm 75 mm 5 mm
weight without packaging	7.3 kg
Connections/ Terminals	
type of electrical connection	
<ul style="list-style-type: none"> • for main current circuit • for control circuit 	busbar connection spring-loaded terminals
width of connection bar maximum	35 mm; with connection cover 3RT1966-4EA1 maximum length 45 mm
type of connectable conductor cross-sections	
<ul style="list-style-type: none"> • for main contacts for box terminal using the front clamping point solid 	95 ... 300 mm ²
<ul style="list-style-type: none"> • for main contacts for box terminal using the front clamping point finely stranded with core end processing 	70 ... 240 mm ²
<ul style="list-style-type: none"> • for main contacts for box terminal using the front clamping point finely stranded without core end processing 	70 ... 240 mm ²
<ul style="list-style-type: none"> • for main contacts for box terminal using the front clamping point stranded 	95 ... 300 mm ²
<ul style="list-style-type: none"> • at AWG cables for main contacts for box terminal using the front clamping point 	3/0 ... 600 kcmil
<ul style="list-style-type: none"> • for main contacts for box terminal using the back clamping point solid 	120 ... 240 mm ²
<ul style="list-style-type: none"> • at AWG cables for main contacts for box terminal using the back clamping point 	250 ... 500 kcmil
<ul style="list-style-type: none"> • for main contacts for box terminal using both clamping points solid 	min. 2x 70 mm ² , max. 2x 240 mm ²
<ul style="list-style-type: none"> • for main contacts for box terminal using both clamping points finely stranded with core end processing 	min. 2x 50 mm ² , max. 2x 185 mm ²
<ul style="list-style-type: none"> • for main contacts for box terminal using both clamping points finely stranded without core end processing 	min. 2x 50 mm ² , max. 2x 185 mm ²
<ul style="list-style-type: none"> • for main contacts for box terminal using both clamping points stranded 	min. 2x 70 mm ² , max. 2x 240 mm ²
<ul style="list-style-type: none"> • for main contacts for box terminal using the back clamping point finely stranded with core end processing 	120 ... 185 mm ²
<ul style="list-style-type: none"> • for main contacts for box terminal using the back clamping point finely stranded without core end processing 	120 ... 185 mm ²
<ul style="list-style-type: none"> • for main contacts for box terminal using the back clamping point stranded 	120 ... 240 mm ²
type of connectable conductor cross-sections	
<ul style="list-style-type: none"> • at AWG cables for main current circuit solid 	2/0 ... 500 kcmil
<ul style="list-style-type: none"> • for DIN cable lug for main contacts stranded 	50 ... 240 mm ²
<ul style="list-style-type: none"> • for DIN cable lug for main contacts finely stranded 	70 ... 240 mm ²
type of connectable conductor cross-sections	
<ul style="list-style-type: none"> • for control circuit solid 	2x (0.25 ... 1.5 mm ²)
<ul style="list-style-type: none"> • for control circuit finely stranded with core end processing 	2x (0.25 ... 1.5 mm ²)
<ul style="list-style-type: none"> • at AWG cables for control circuit solid 	2x (24 ... 16)
<ul style="list-style-type: none"> • at AWG cables for control circuit finely stranded with core end processing 	2x (24 ... 16)

wire length	
<ul style="list-style-type: none"> • between soft starter and motor maximum • at the digital inputs at AC maximum 	<p>800 m</p> <p>1 000 m</p>
tightening torque	
<ul style="list-style-type: none"> • for main contacts with screw-type terminals • for auxiliary and control contacts with screw-type terminals 	<p>14 ... 24 N·m</p> <p>0.8 ... 1.2 N·m</p>
tightening torque [lbf·in]	
<ul style="list-style-type: none"> • for main contacts with screw-type terminals • for auxiliary and control contacts with screw-type terminals 	<p>124 ... 210 lbf·in</p> <p>7 ... 10.3 lbf·in</p>
Ambient conditions	
installation altitude at height above sea level maximum	5 000 m; derating as of 1000 m, see Manual
ambient temperature	
<ul style="list-style-type: none"> • during operation 	-25 ... +60 °C; Please observe derating at temperatures of 40 °C or above
<ul style="list-style-type: none"> • during storage and transport 	-40 ... +80 °C
environmental category	
<ul style="list-style-type: none"> • during operation according to IEC 60721 	3K6 (no ice formation, only occasional condensation), 3C3 (no salt mist), 3S2 (sand must not get into the devices), 3M6
<ul style="list-style-type: none"> • during storage according to IEC 60721 	1K6 (only occasional condensation), 1C2 (no salt mist), 1S2 (sand must not get inside the devices), 1M4
<ul style="list-style-type: none"> • during transport according to IEC 60721 	2K2, 2C1, 2S1, 2M2 (max. fall height 0.3 m)
EMC emitted interference	acc. to IEC 60947-4-2: Class A
Communication/ Protocol	
communication module is supported	
<ul style="list-style-type: none"> • PROFINET standard • EtherNet/IP • Modbus RTU • Modbus TCP • PROFIBUS 	<p>Yes</p> <p>Yes</p> <p>Yes</p> <p>Yes</p> <p>Yes</p>
UL/CSA ratings	
manufacturer's article number	
<ul style="list-style-type: none"> • of circuit breaker <ul style="list-style-type: none"> — usable for High Faults at 460/480 V according to UL • of the fuse <ul style="list-style-type: none"> — usable for Standard Faults up to 575/600 V according to UL — usable for High Faults up to 575/600 V according to UL 	<p>Siemens type: 3VA54, max. 600 A; I_q max = 65 kA</p> <p>Type: Class L, max. 800 A; I_q = 18 kA</p> <p>Type: Class L, max. 800 A; I_q = 100 kA</p>
operating power [hp] for 3-phase motors	
<ul style="list-style-type: none"> • at 200/208 V at 50 °C rated value • at 220/230 V at 50 °C rated value • at 460/480 V at 50 °C rated value 	<p>60 hp</p> <p>75 hp</p> <p>150 hp</p>
Safety related data	
protection class IP on the front according to IEC 60529	IP00; IP20 with cover
touch protection on the front according to IEC 60529	finger-safe, for vertical contact from the front with cover
ATEX	
certificate of suitability	
<ul style="list-style-type: none"> • ATEX • IECEx 	<p>Yes</p> <p>Yes</p>
hardware fault tolerance according to IEC 61508 relating to ATEX	0
PFDAvg with low demand rate according to IEC 61508 relating to ATEX	0.09
PFHD with high demand rate according to EN 62061 relating to ATEX	9E-6 1/h
Safety Integrity Level (SIL) according to IEC 61508 relating to ATEX	SIL1
T1 value for proof test interval or service life according to IEC 61508 relating to ATEX	3 y

Certificates/ approvals

General Product Approval

For use in hazardous locations



[Confirmation](#)



For use in hazardous locations

Declaration of Conformity

Test Certificates

Marine / Shipping



[Type Test Certificates/Test Report](#)



other

[Confirmation](#)

Further information

Information- and Downloadcenter (Catalogs, Brochures,...)

<https://www.siemens.com/ic10>

Industry Mall (Online ordering system)

<https://mall.industry.siemens.com/mall/en/en/Catalog/product?mlfb=3RW5073-2AB14>

Cax online generator

<http://support.automation.siemens.com/WW/CAXorder/default.aspx?lang=en&mlfb=3RW5073-2AB14>

Service&Support (Manuals, Certificates, Characteristics, FAQs,...)

<https://support.industry.siemens.com/cs/ww/en/ps/3RW5073-2AB14>

Image database (product images, 2D dimension drawings, 3D models, device circuit diagrams, EPLAN macros, ...)

http://www.automation.siemens.com/bilddb/cax_de.aspx?mlfb=3RW5073-2AB14&lang=en

Characteristic: Tripping characteristics, I²t, Let-through current

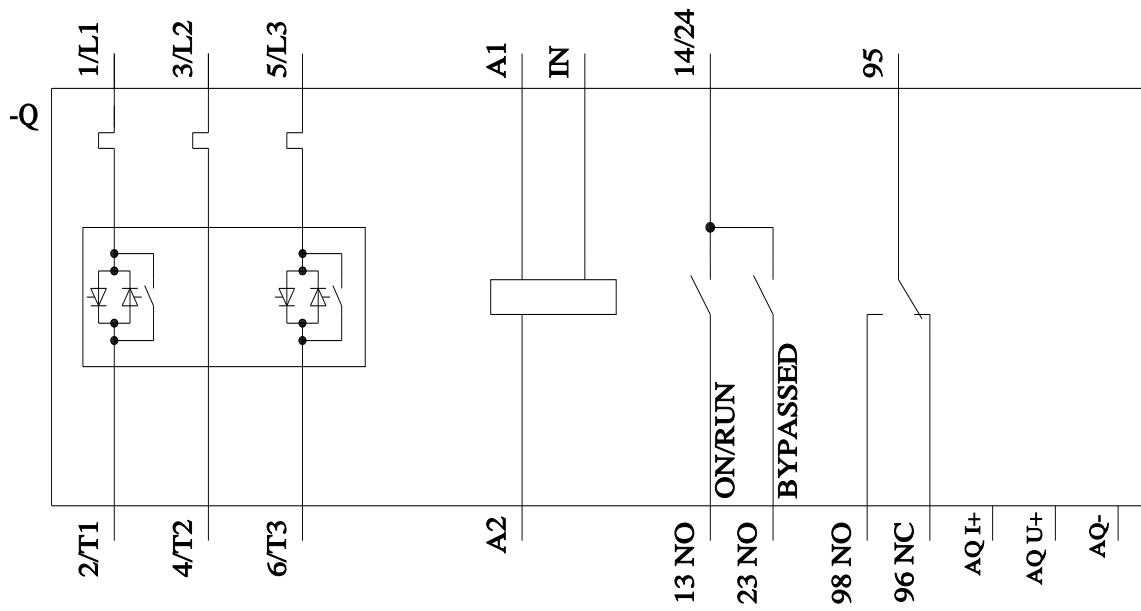
<https://support.industry.siemens.com/cs/ww/en/ps/3RW5073-2AB14/char>

Characteristic: Installation altitude

<http://www.automation.siemens.com/bilddb/index.aspx?view=Search&mlfb=3RW5073-2AB14&objecttype=14&gridview=view1>

Simulation Tool for Soft Starters (STS)

<https://support.industry.siemens.com/cs/ww/en/view/101494917>



last modified:

4/11/2022 

