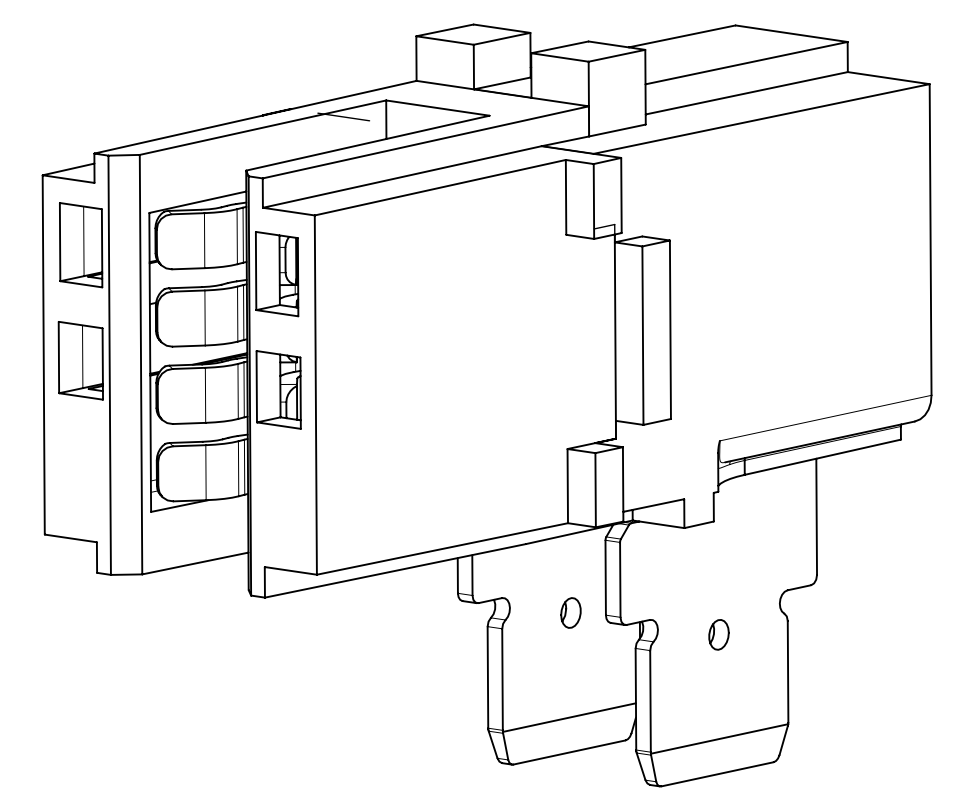
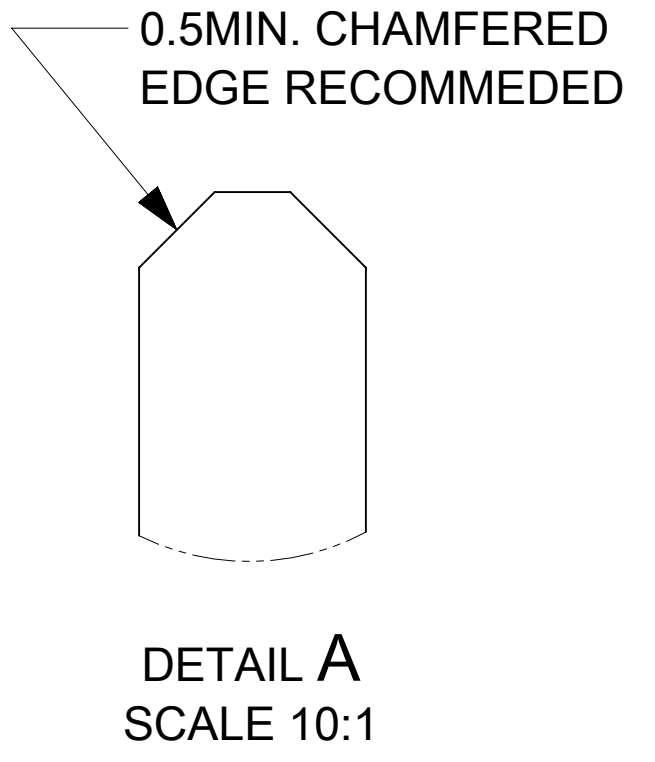
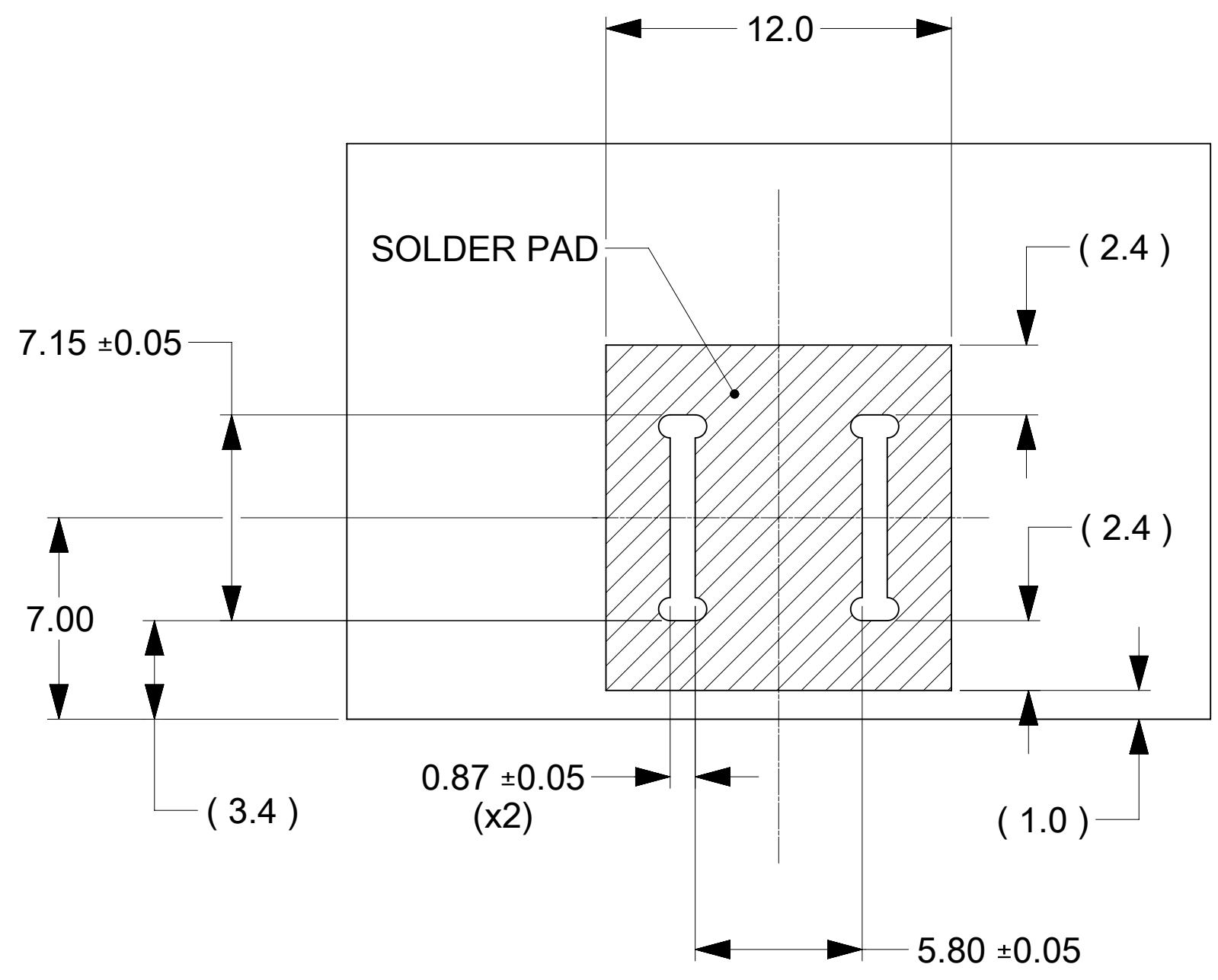


PART NUMBER	PLATINGS ON THE CONTACT AREAS
213205-0002	SILVER OVER NICKEL
213205-0102	TIN OVER NICKEL

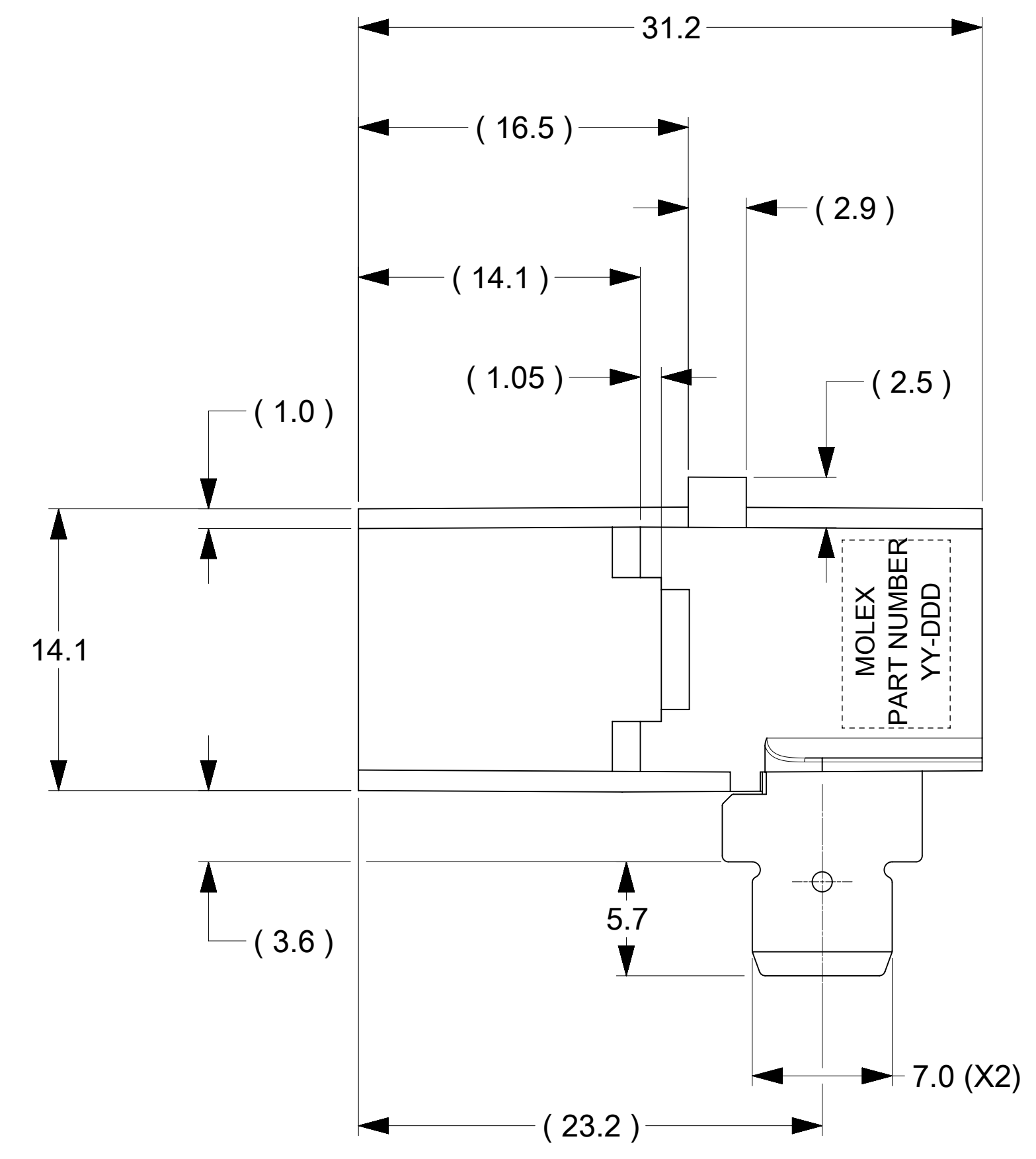
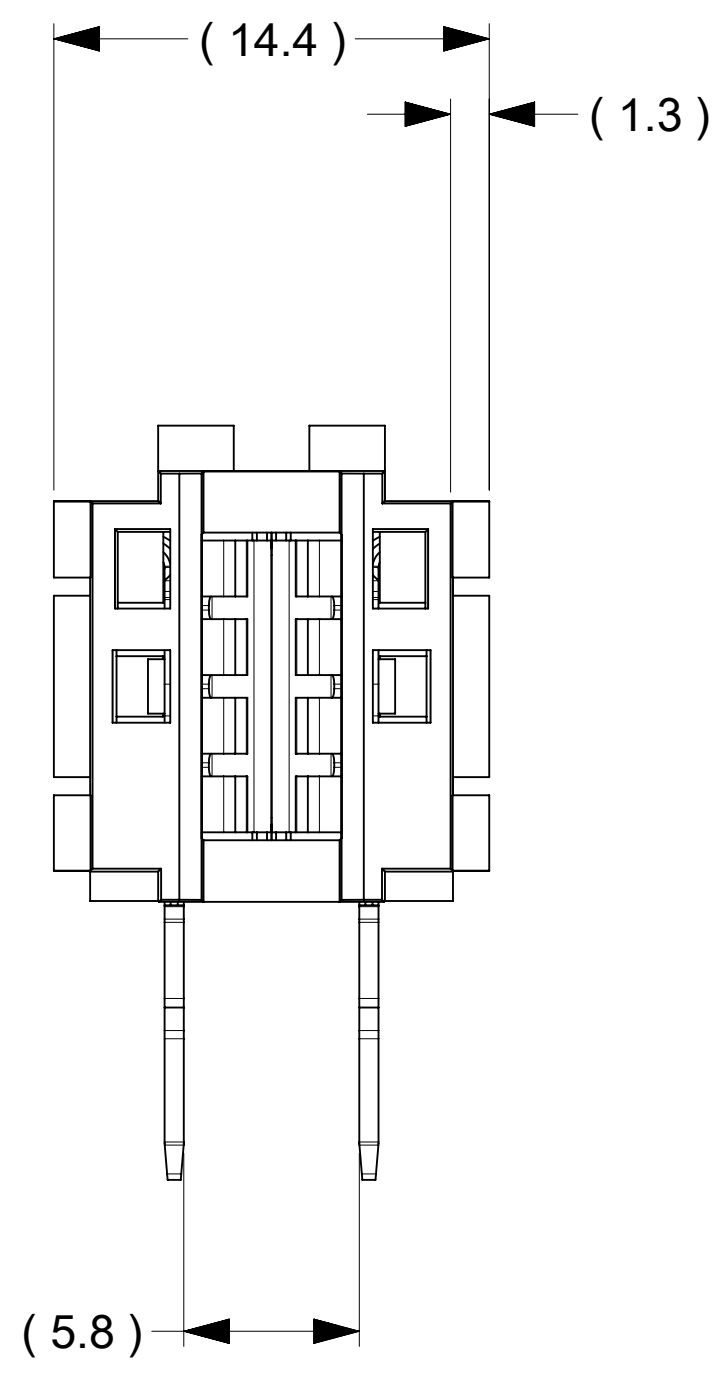


PCB, BUSBAR
IN THESE VIEWS ARE SHOWN FOR REFERENCE ONLY



- NOTES:
- MATERIALS:
 - HOUSING BODY: POLYMER. UL94V-0; BLACK.
 - TERMINALS: COPPER ALLOY.
 - RIVET/CLIP: COPPER ALLOY.
 - PLATING:
 - CONTACT AREAS: SEE CHART.
 - TAB AREAS: TIN OVER NICKEL.
 - REST: NICKEL OVERALL.
 - LUBRICATION: LUBED IN CONTACT AREA.
 - REFERENCE DOCUMENT:
 - SILVER VERSION: 2131910001-PS, 2131910001-AS.
 - TIN VERSION: 2131910002-PS, 2131910001-AS.
 - MODULE ASSEMBLY IS RoHS COMPLIANT.
 - FINAL ASSEMBLY TO BE PACKAGED AND LABELED PER PACKAGING DRAWING NUMBER 2131910002-PK.
 - MATED BUSBAR SHOULD BE PLATED WITH SILVER OVER NICKEL FOR SILVER VERSION CONNECTOR AND TIN OVER NICKEL FOR TIN VERSION CONNECTOR.

RECOMMENDED PCB LAYOUT
(THICKNESS 4.8mm MAX.)



FUNCTIONAL SYMBOLS $F_A = 0$ $F_C = 0$ $F_P = 0$ DIVISIONAL SYMBOLS	THIS DRAWING CONTAINS INFORMATION THAT IS PROPRIETARY TO MOLEX ELECTRONIC TECHNOLOGIES, LLC AND SHOULD NOT BE USED WITHOUT WRITTEN PERMISSION		CURRENT REV DESC:	
	DIMENSION UNITS	SCALE	EC NO: 721831	
	mm	5:1	DRWN: TOMLU	2022/09/19
	GENERAL TOLERANCES (UNLESS SPECIFIED)		CHK'D: BPISZCZOR	2023/01/16
ANGULAR TOL ± °		APPR: BPISZCZOR	2023/01/16	
4 PLACES ±		INITIAL REVISION:		
3 PLACES ±		DRWN: TOMLU	2020/06/04	
2 PLACES ± 0.15		APPR: BPISZCZOR	2022/03/07	
1 PLACE ± 0.25		DRAWING		
0 PLACES ±		SERIES		
DRAFT WHERE APPLICABLE MUST REMAIN WITHIN DIMENSIONS		THIRD ANGLE PROJECTION	MATERIAL NUMBER	
		D-DRAWING	213205	
		CUSTOMER	SEE CHART	
		SHEET NUMBER	1 OF 1	

molex

POWER PLANE BBC SMALL RA-TH

PRODUCT CUSTOMER DRAWING

DOCUMENT NUMBER	DOC TYPE	DOC PART	REVISION
2132050002-SD	PSD	000	B