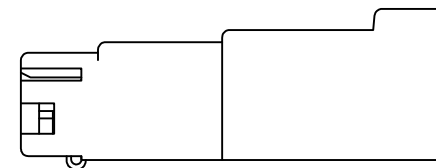
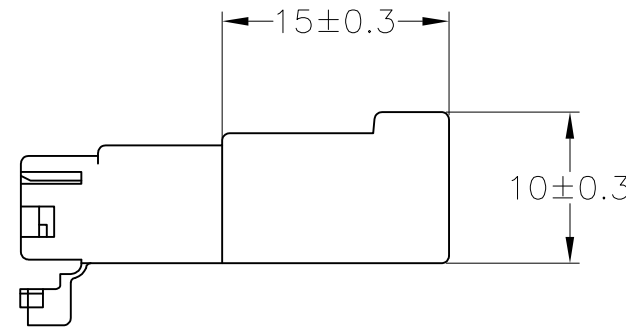
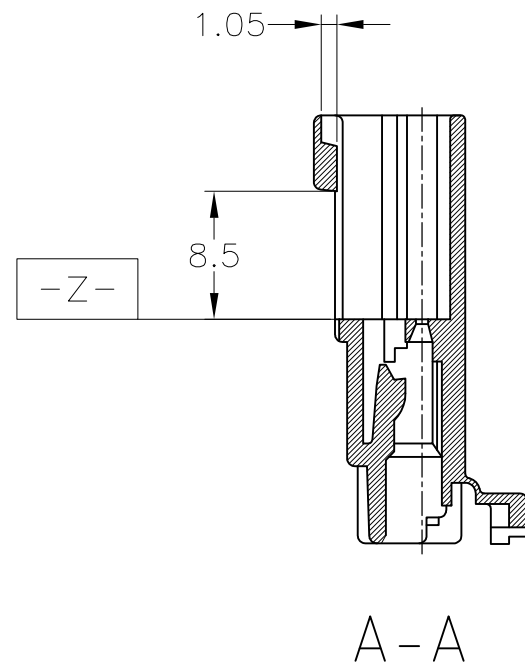
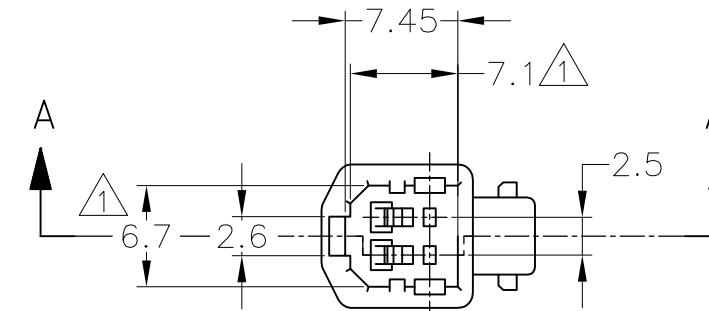
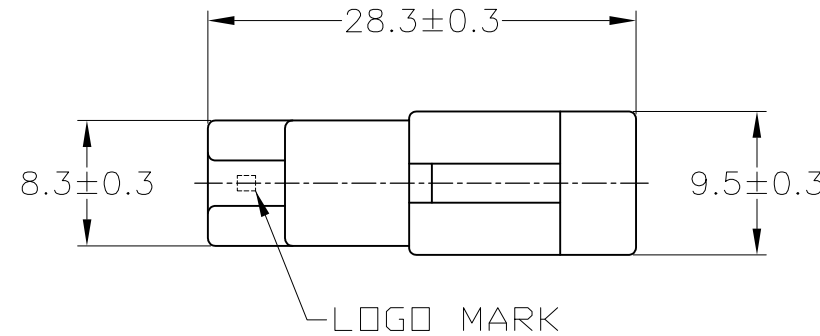
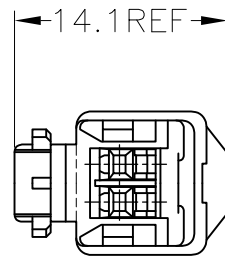


| P  | LTR     | DESCRIPTION   | DATE      | DWN | APVD |
|----|---------|---------------|-----------|-----|------|
| C3 | REVISED | ECR-20-000671 | 10FEB2020 | DM  | HK   |



二重ロック時  
DOUBLE LOCKED

- △ TO BE MEASURED WITHIN 2mm FROM -Z-
- APPLICABLE CONTACT PART NUMBER: 173682, 175206
  - THE MATING PLUG HOUSING PART NUMBER: 174056
- △ -Z- 面から 2mm の範囲で測定
- 適用端子型番: 173682, 175206
  - 嵌合相手ハウジング型番: 174056

|           |                 |
|-----------|-----------------|
| 青 (BLUE)  | 174057-5        |
| 緑 (GREEN) | 174057-4        |
| 黒 (BLACK) | 174057-2        |
| 色 (COLOR) | 製品型番 (PART NO.) |

TOLERANCE UNLESS OTHERWISE SPECIFIED:  
一般公差

|              |         |
|--------------|---------|
| 0 < x ≤ 10   | : ±0.2  |
| 10 < x ≤ 30  | : ±0.25 |
| 30 < x ≤ 100 | : ±0.3  |
| ANGLE ; 角度   | : ±3°   |

|  |  |                                  |   |                    |                    |
|--|--|----------------------------------|---|--------------------|--------------------|
| THIS DRAWING IS A CONTROLLED DOCUMENT.         |  | DWN<br>M.SUGAWARA<br>02AUG06     | TE Connectivity Ltd.  |                    |                    |
| DIMENSIONS:<br>単位: 耗<br>mm                     |  | CHK<br>K.BETSUI<br>02AUG06       |   |                    |                    |
| TOLERANCES UNLESS OTHERWISE SPECIFIED:<br>一般公差 |  | APVD<br>K.BETSUI<br>02AUG06      | NAME<br>名称<br>2POSITION CAP HOUSING<br>040SERIES MULTI-LOCK CONNECTOR |                    |                    |
|  |  | PRODUCT SPEC<br>製品規格<br>108-5352 | RESTRICTED TO   |                    |                    |
| MATERIAL<br>材料<br>PBT                          |  | FINISH<br>仕上<br>-                | APPLICATION SPEC<br>取付適用規格<br>-                                       | SIZE<br>A3         | CAGE CODE<br>00779 |
|  |  | WEIGHT<br>-                      | DRAWING NO<br>番号<br>C-174057  | SCALE<br>尺度<br>2:1 | SHEET<br>1 OF 1    |
|  |  | CUSTOMER DRAWING                 |   | REV<br>C3          |                    |