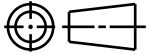
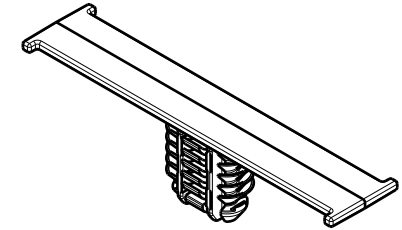
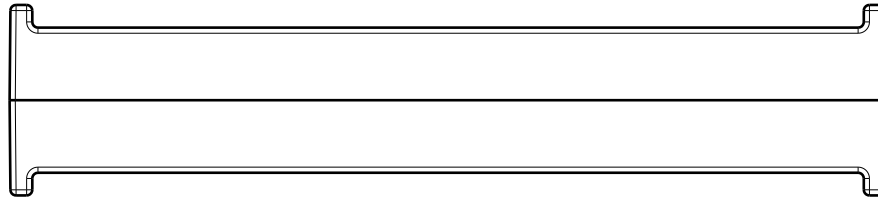


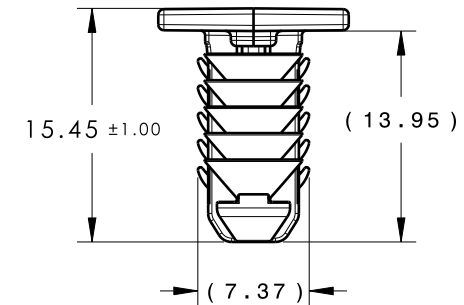
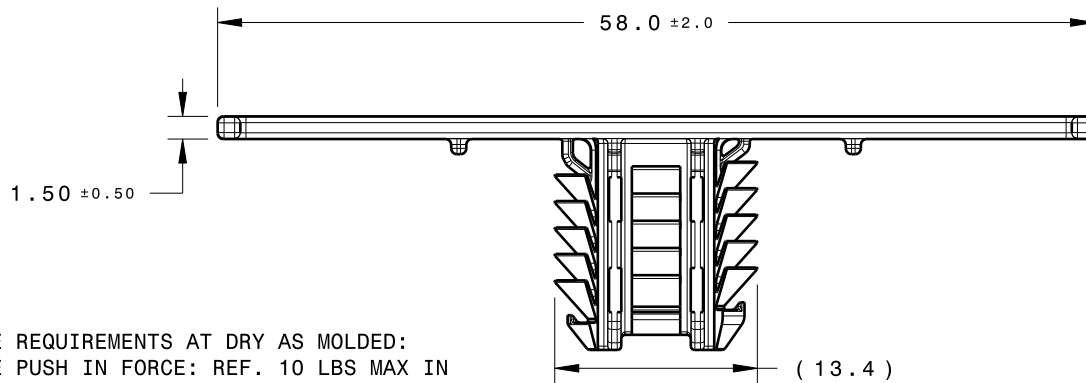
CATIA V5



Revision Level			Revision Record	Changed	Date	Approved	Date
Drawing	State	Part					
11.1	Design Release	C	SEE ECN# 012483	CJR	04/11/14	KVH	04/11/14



ISOMETRIC VIEW (1/1)



REFERENCE:

PERFORMANCE REQUIREMENTS AT DRY AS MOLDED:

1. FIR TREE PUSH IN FORCE: REF. 10 LBS MAX IN EACH APPLICABLE OVAL HOLE SIZE AND A PLATE THICKNESS OF 1.8mm
2. FIR TREE PULL OUT FORCE: REF. 25 LBS MIN IN EACH APPLICABLE OVAL HOLE SIZE AND A PLATE THICKNESS OF 1.8mm
3. SHEET METAL THICKNESS RANGE: 0.60mm - 6.0mm
4. APPLICABLE OVAL HOLE SIZES:
 - A. 6.2 X 12.2mm
 - B. 6.5 x 12.5mm
 - C. 6.5 x 13.0mm
 - D. 7.0 x 12.0mm



COLOR	TYPE NUMBER
NATURAL	BCFTOVAL
BLACK	BCFTOVAL

Material
PA66HIRHS
COLOR: SEE TABLE



Units millimeters
Tolerance defined on each dimension

The copyright of this drawing is reserved by HellermannTyton. It is issued on condition that it is not reproduced, copied or disclosed to a third party, either wholly or in part, without the consent of HellermannTyton.

Drawn	SJA	04/22/11
Approved	AAC	04/22/11
HellermannTyton		
North America Email: corp@htamericas.com Web: www.hellermann.tyton.com		

Article/Type-No SEE TABLE

Title TAPE CLIP WITH OVAL FIR TREE

Drawing-No PRODUCTION : Phase

11-0339-001-CSU

Scale 2:1

Project Number 11-0339

Format AH

Sheet 1/1