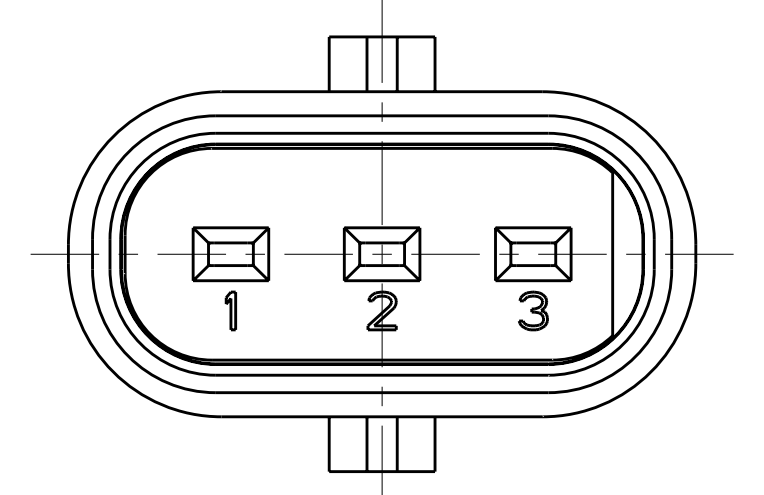
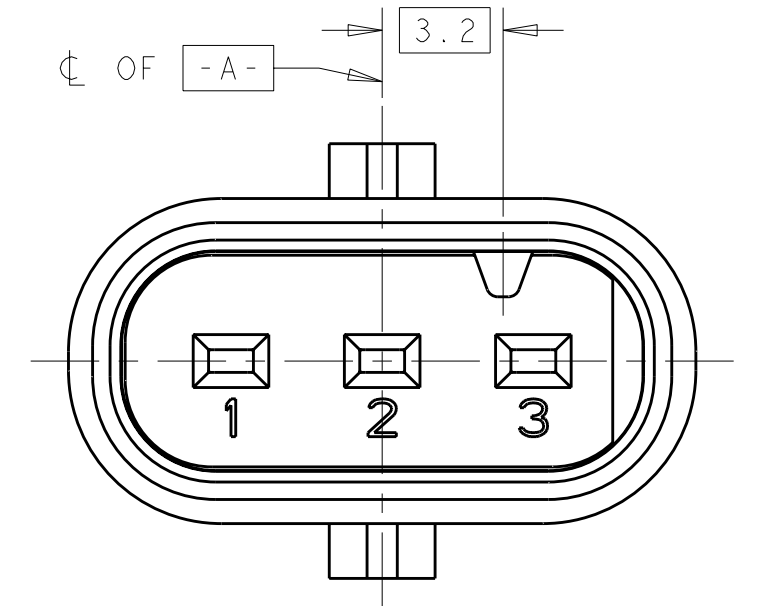


LOC	DIST	REV	DATE	BY	APPD
1N	00	P			
		P	24MAR2011	RK	HMR

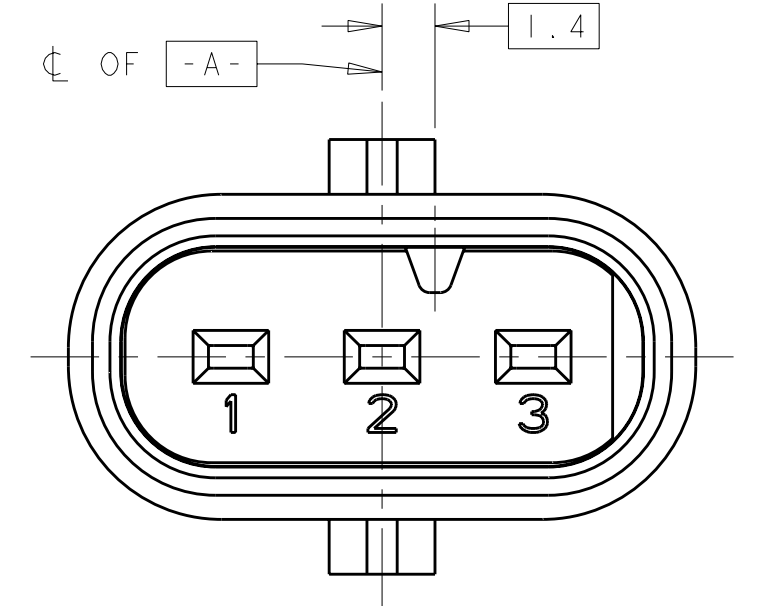
KEYING CONFIGURATIONS



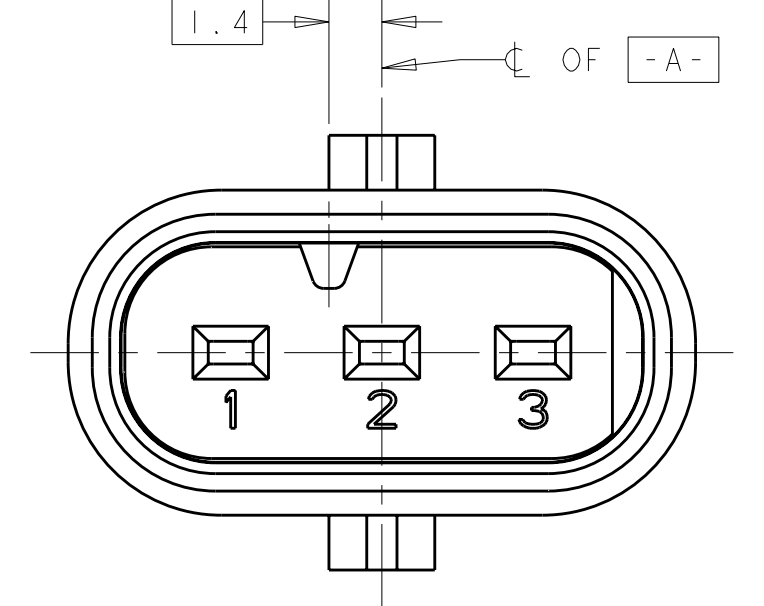
NO KEYING OPTION



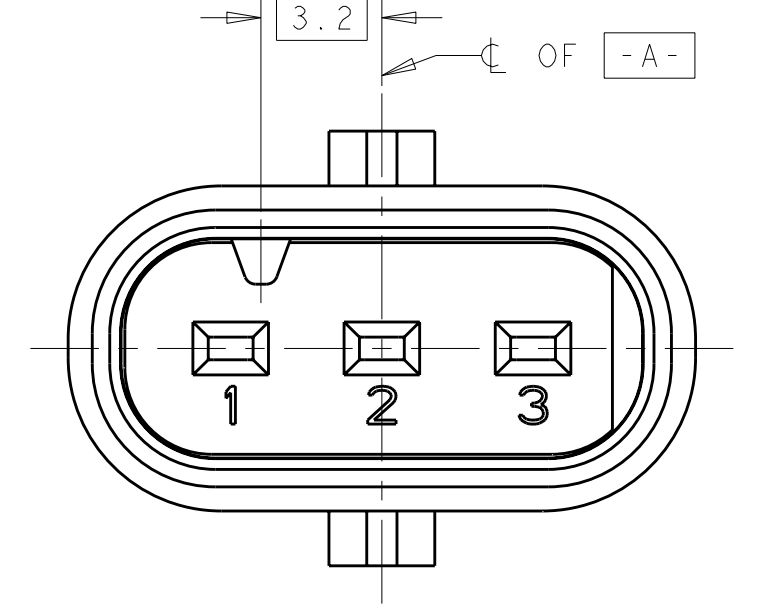
KEYING OPTION D



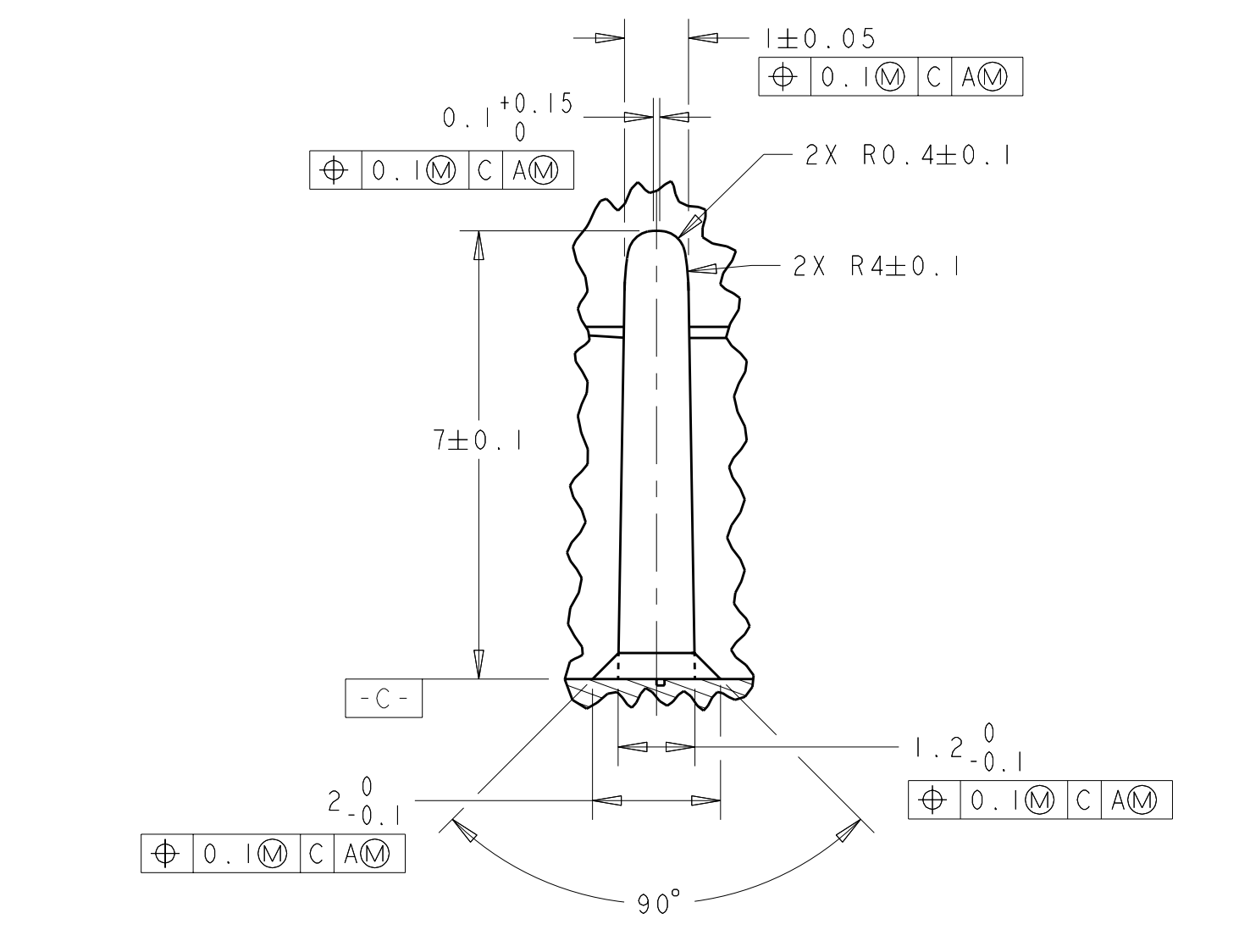
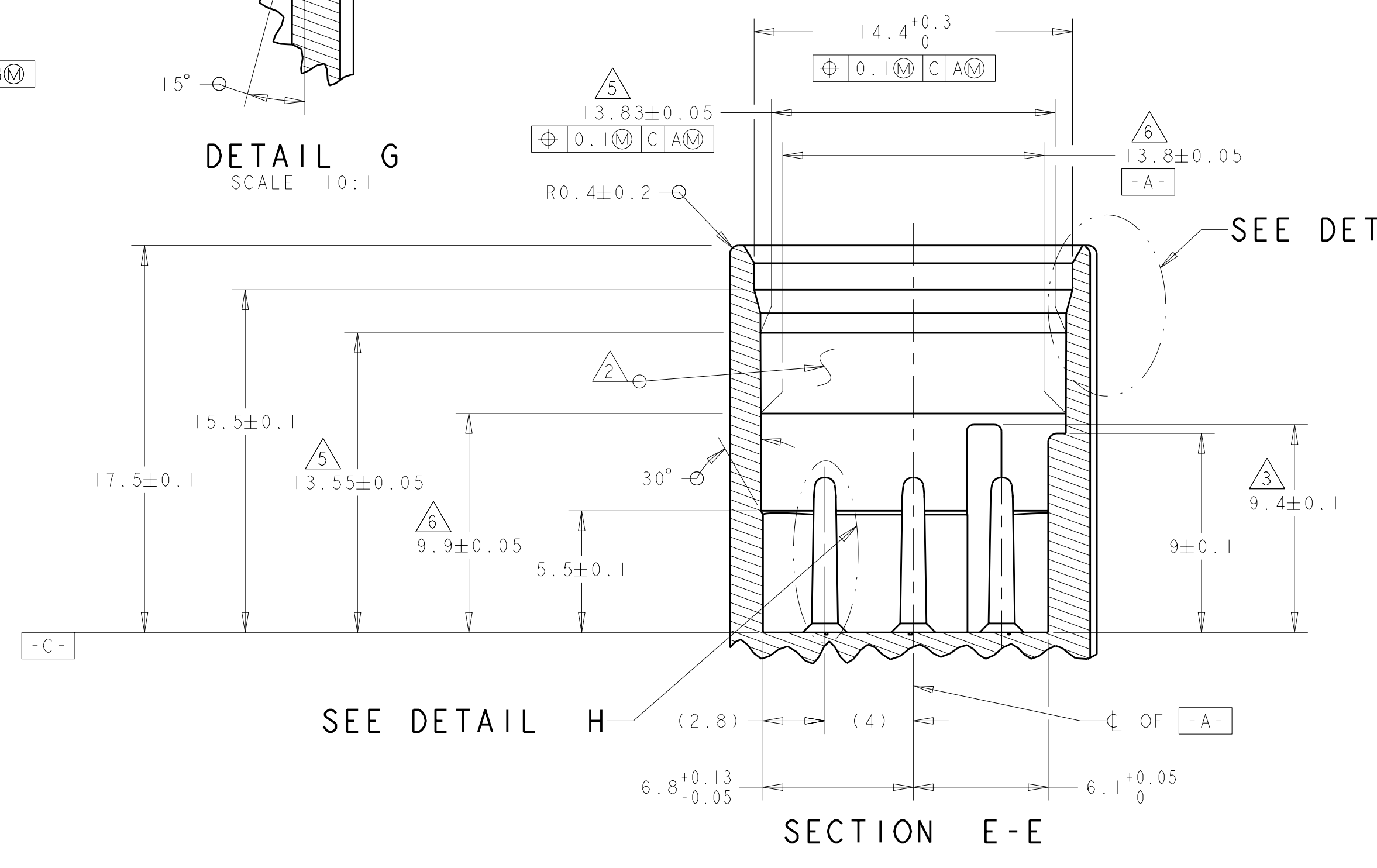
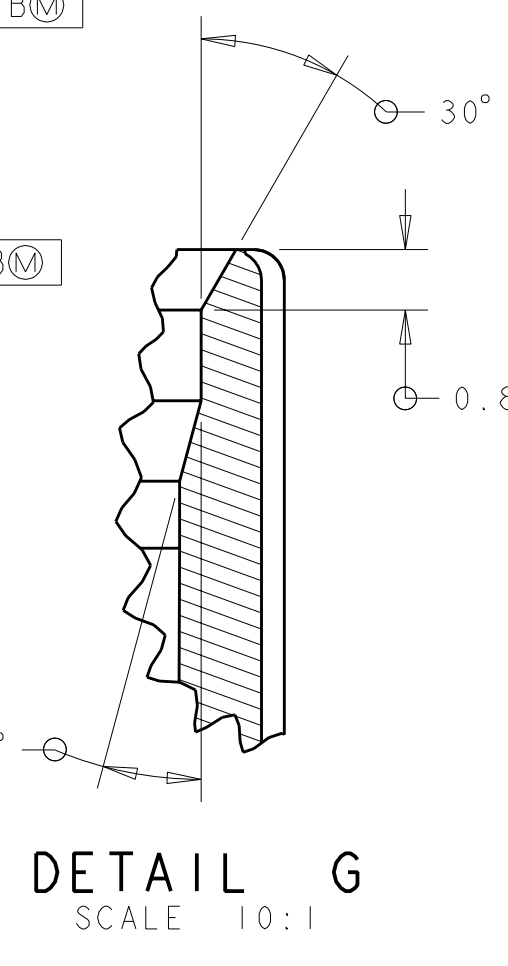
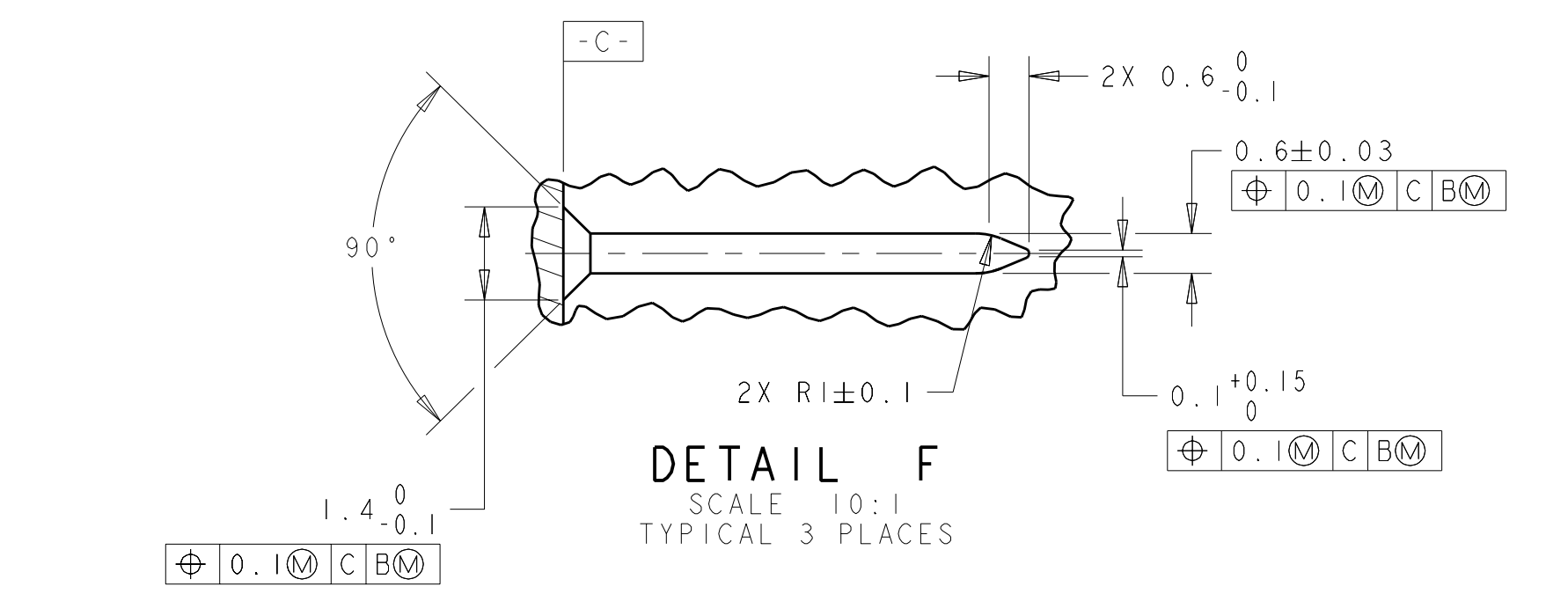
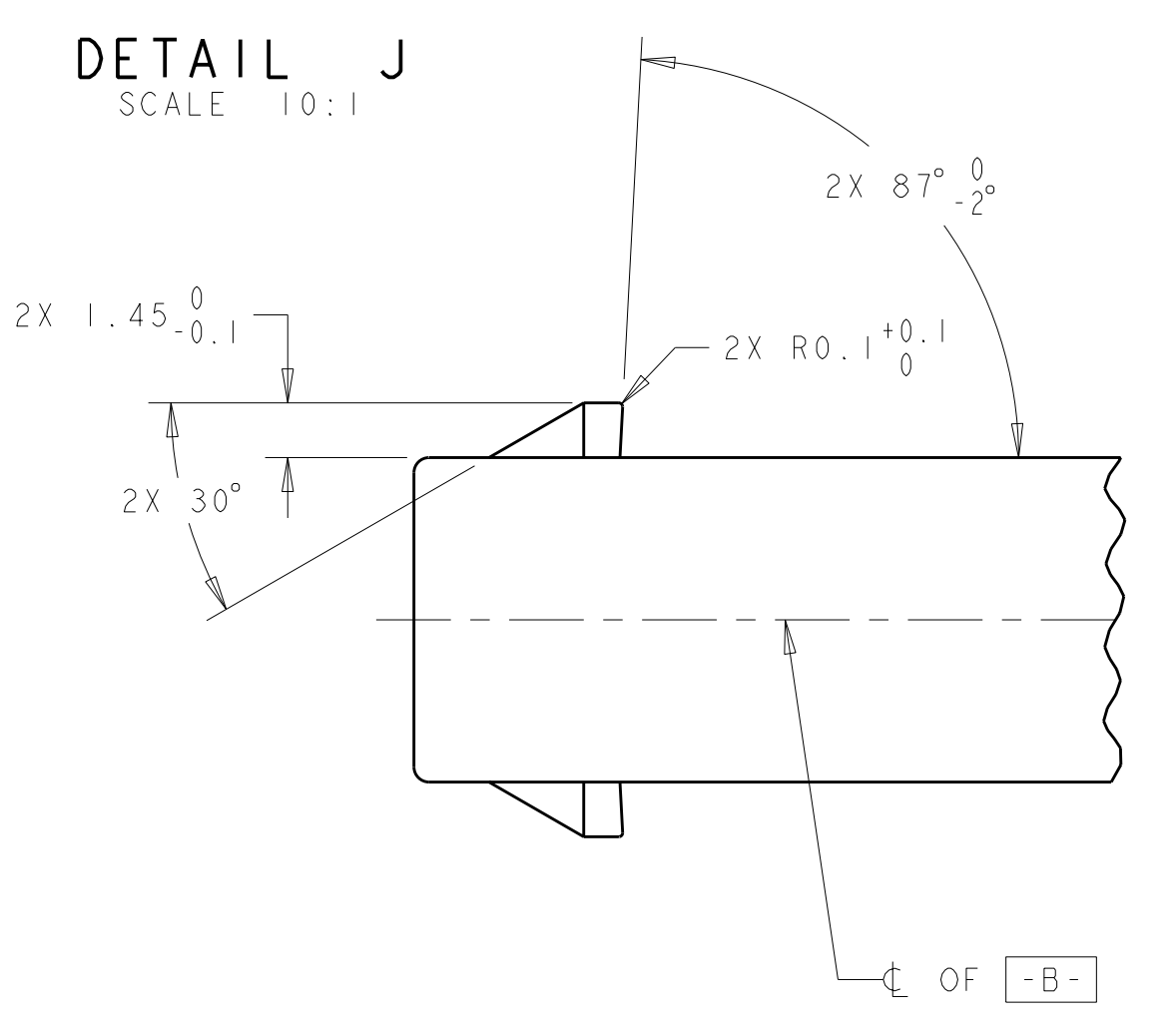
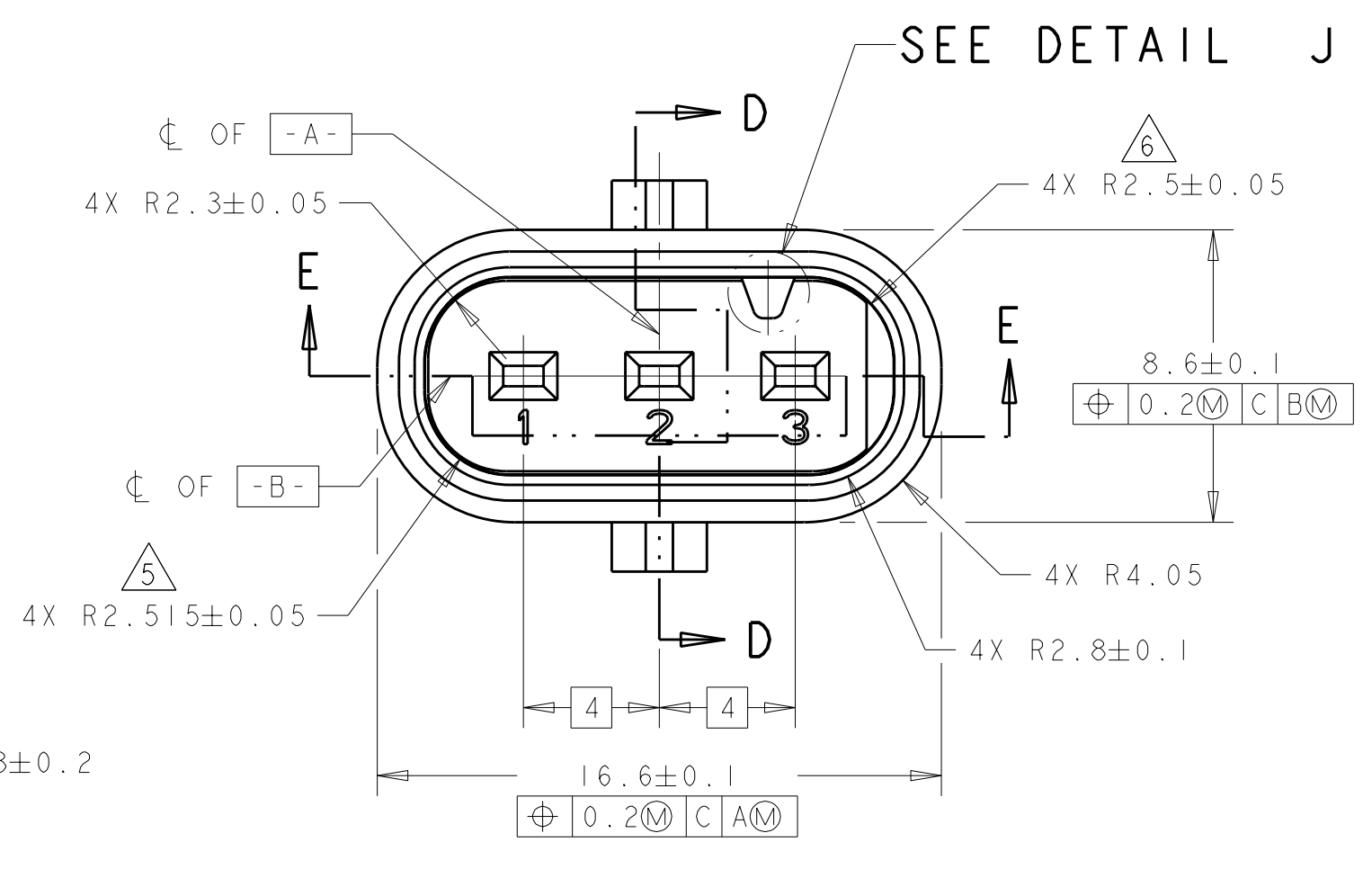
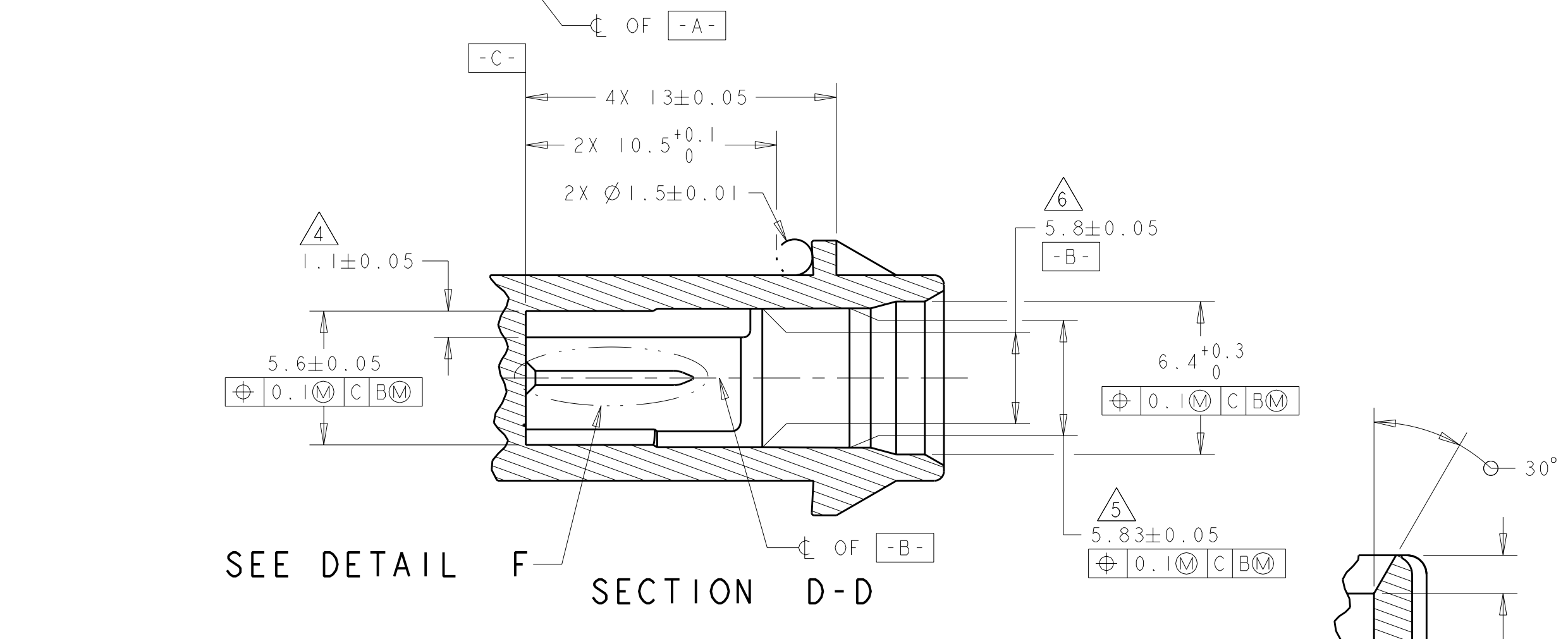
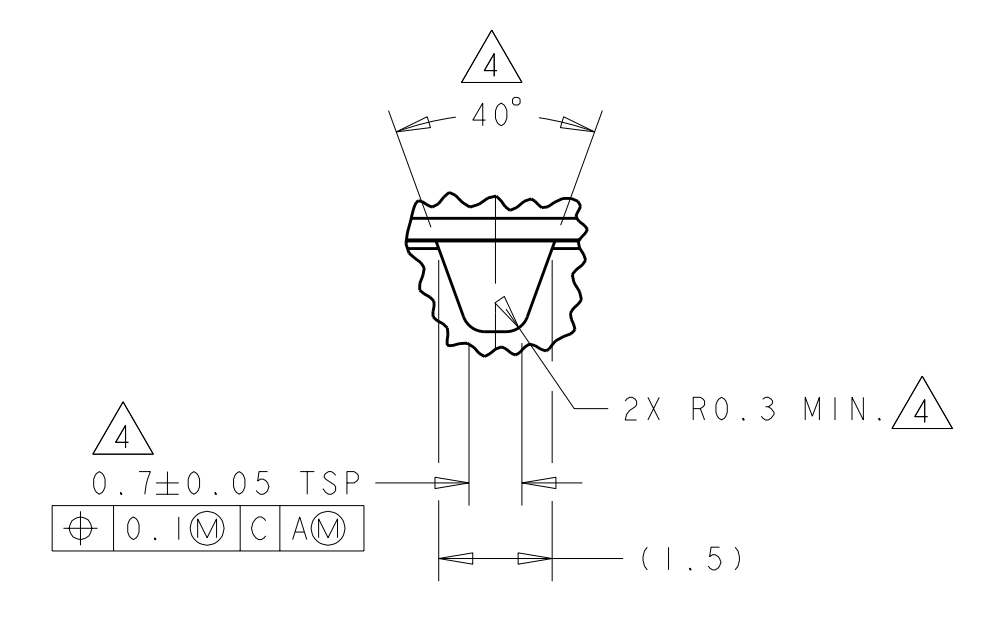
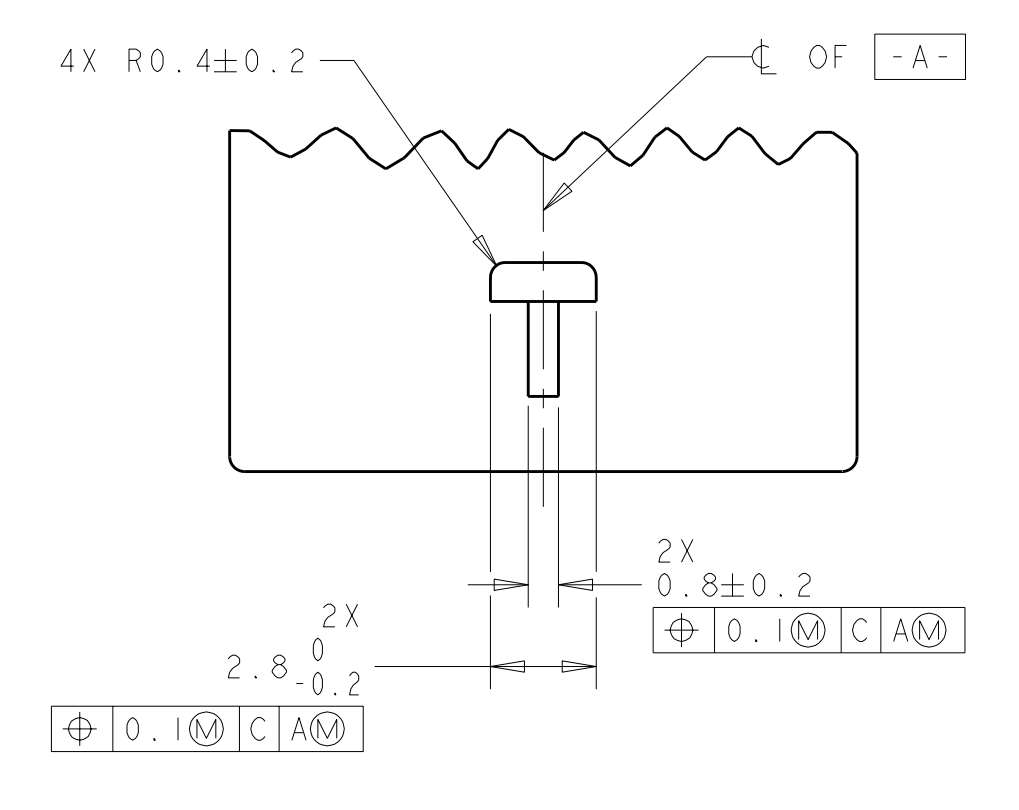
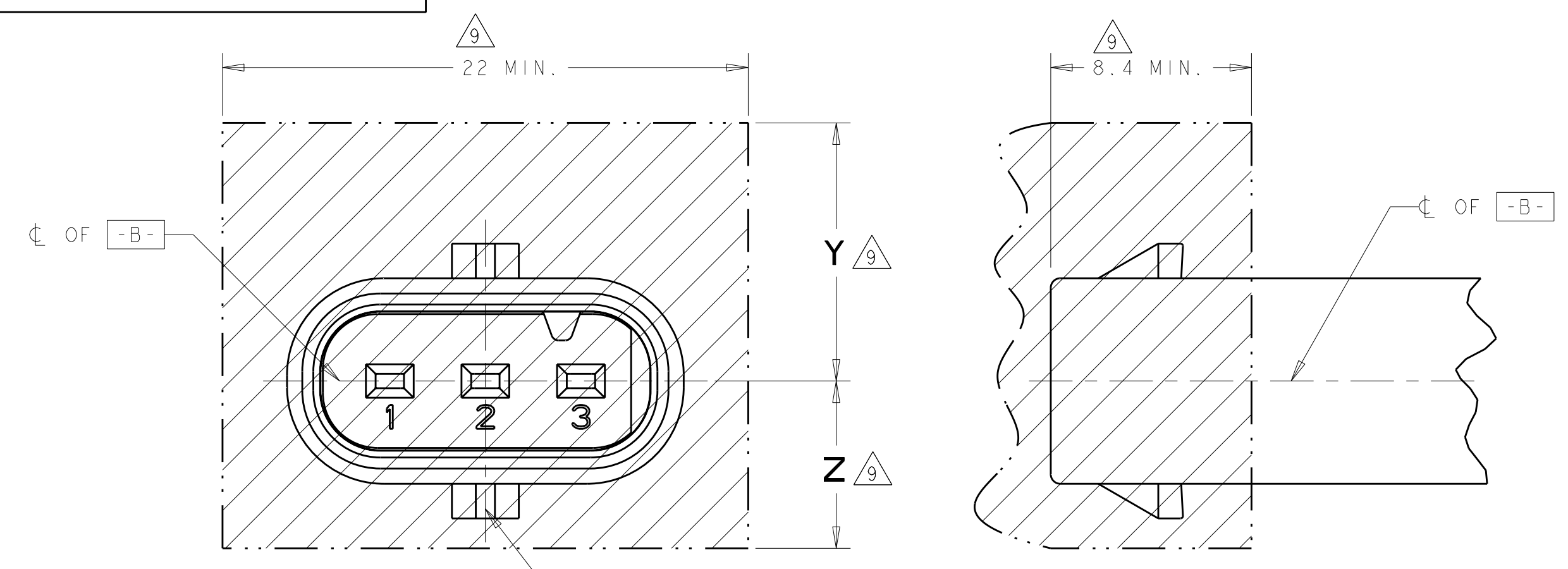
KEYING OPTION C



KEYING OPTION B



KEYING OPTION A



- KEYING OPTION D SHOWN.
- SEALING SURFACE, NO WITNESS LINES OR DAMAGE PERMITTED.
- DRAFT WITHIN TOLERANCE.
- THIS DIMENSION APPLIES TO KEYING OPTIONS A, B, C, AND D.
- THIS DIMENSION TO BE MEASURED AT THE 13.55 DIMENSION.
- THIS DIMENSION TO BE MEASURED AT THE 9.9 DIMENSION.
- THIS NO KEYING OPTION TO BE USED FOR TESTING PURPOSES ONLY.
- CONTACT PINS TO BE FREE OF SHARP EDGES AND BURRS.
- CROSS-HATCHED AREA SHOWS THE MINIMUM REQUIRED CLEARANCE FOR THE MATING FEMALE CONNECTOR GEOMETRY. THE VALUES BELOW DEPEND ON THE MATING FEMALE CONNECTOR LATCH CONFIGURATION:

	Y	Z
TOP AND BOTTOM LATCH	10.8 MIN.	10.8 MIN.
BOTTOM LATCH	7 MIN.	10.8 MIN.
TOP LATCH	10.8 MIN.	7 MIN.
LATCH CONFIGURATION		

THIS DRAWING IS A CONTROLLED DOCUMENT.

DIMENSIONS:	TOLERANCES UNLESS OTHERWISE SPECIFIED:	DWN: R. FOLTZ 28MAY2003	NAME: INTERFACE DRAWING 3 POSITION SEALED, 1.2mm STANDARD VERSION
mm	9 PLC ±0.5	CHK: G. MARTIN 29MAY2003	SIZE: CAGE CODE DRAWING NO. RESTRICTED TO
	5 PLC ±0.13	APPD: G. MARTIN 29MAY2003	A100779C=1488738
	4 PLC ±	PRODUCT SPEC:	SCALE: 5:1 SHEET 1 OF 1 REV P
	ANGLES ±	APPLICATION SPEC:	
MATERIAL:	FINISH: ±0.0	WEIGHT:	
		CUSTOMER DRAWING:	