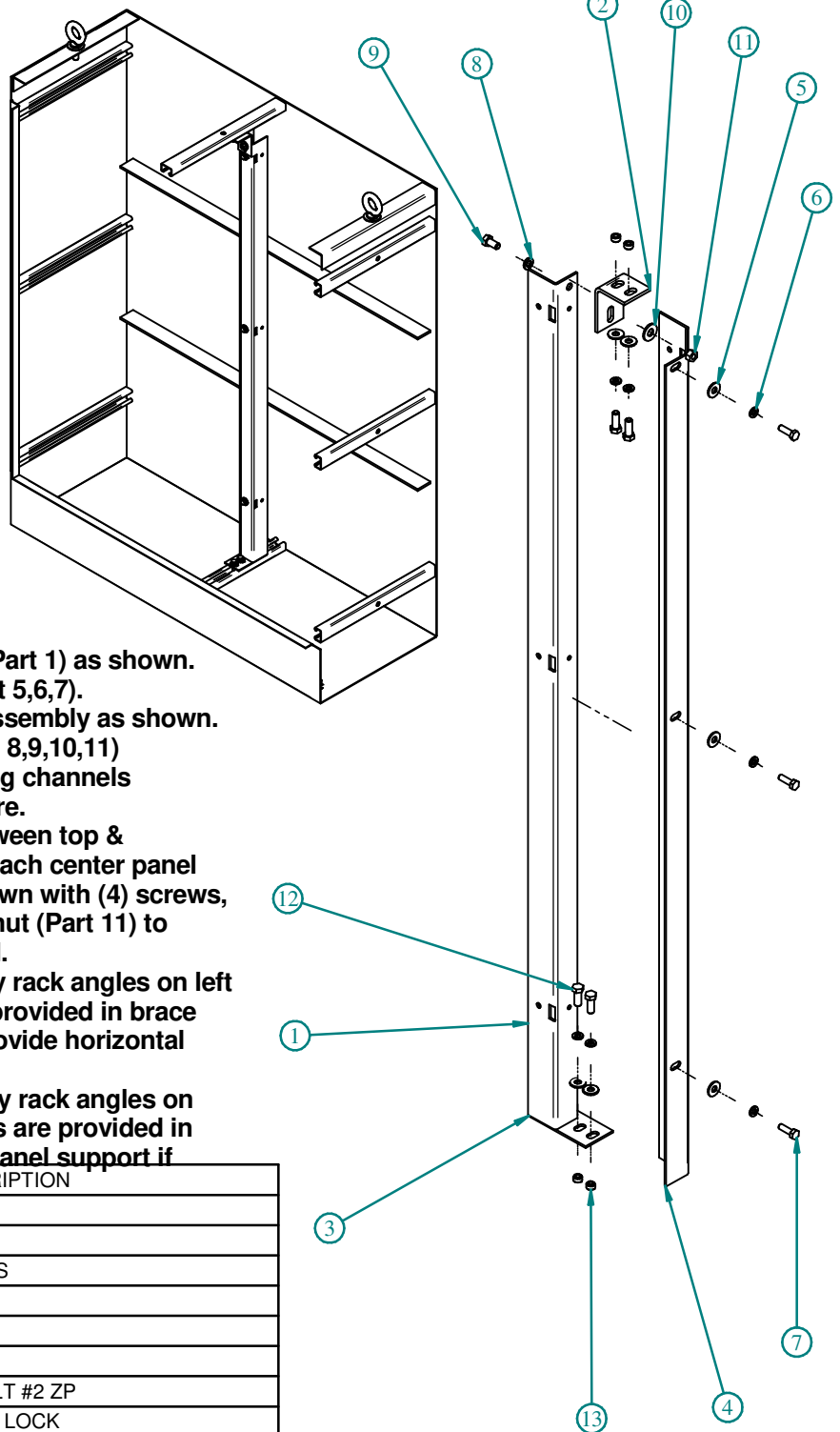


# 1418\_CS SERIES CTR PANEL SUPPORT

BUL10059

REV. B

## ASSEMBLY INSTRUCTIONS FOR CENTER PANEL SUPPORTS



- A) Attach right support (Part 4) to left support (Part 1) as shown. Use (3) screws, lock washers, and washers (Part 5,6,7).
- B) Attach top brace (Part 2) to top of support assembly as shown. Use a screw, lock washer, washer, and nut (Part 8,9,10,11)
- C) Install (4) clamping nuts (Part 13) in mounting channels provided in top & bottom of a two door enclosure.
- D) Position center panel support assembly between top & bottom mounting channels in the enclosure. Attach center panel support assembly to mounting channels as shown with (4) screws, lock washers, and washers (Part 5,6,7) Loosen nut (Part 11) to adjust length of center panel support if required.
- E) Install regular panel, swing out panel or relay rack angles on left side of center panel support. Slotted holes are provided in brace (Part 2) and bottom of left support (Part 1) to provide horizontal adjustment if required.
- F) Install regular panel, swing out panel, or relay rack angles on right side of center panel support. Slotted holes are provided in right support (Part 4) to adjust width of center panel support if required.

PART #	QTY	DESCRIPTION
1	1	LEFT SUPPORT - 1418CS
2	1	TOP BRACE FOR 1418 CS
3	1	BOTTOM BASE FOR 1418 CS
4	1	RIGHT SUPPORT - 1418 CS
5	7	5/16 FLAT WASHER ZP
6	7	WASHER 5/16" SPLIT LOCK
7	3	SCREW 5/16-18 X 1 GR. BOLT #2 ZP
8	1	WASHER M10, 3/8 SPLIT, SP LOCK
9	1	SCREW 3/8-16 X 3/4 CAP ZP
10	1	WASHER FLAT 3/8" ZP.
11	1	NUT 3/8-16 HEX ZP
12	4	SCREW 3/8-16 X 1 CAP HEX GR.2 ZP
13	4	NUT CS2N 3/8 R.S.

TOOL BOX	1/2", 9/16" Socket Wrench	1/2, 9/16 Open End Wrench
		

