

F

E

D

C

B

A

F

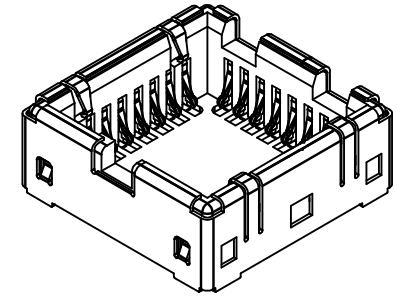
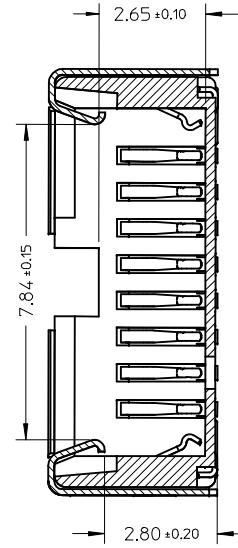
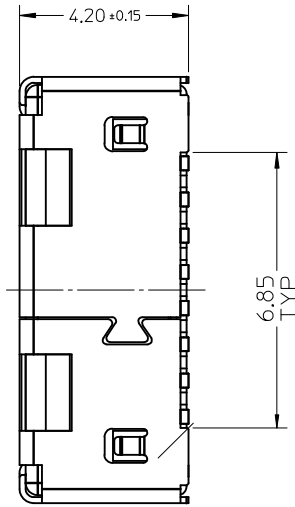
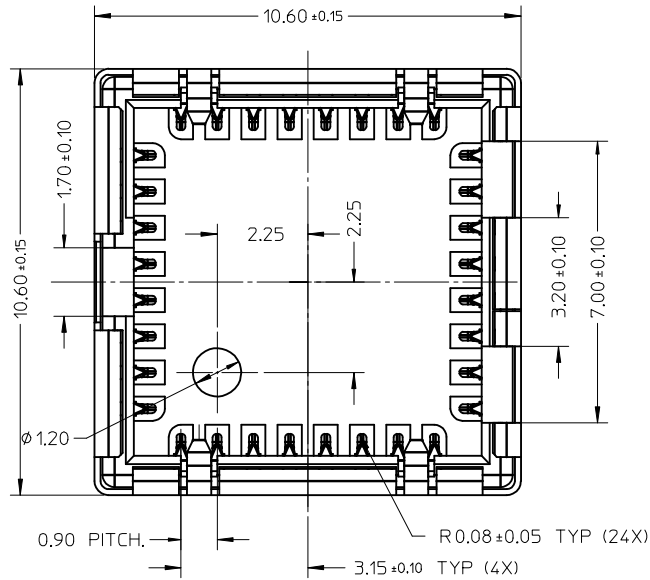
E

D

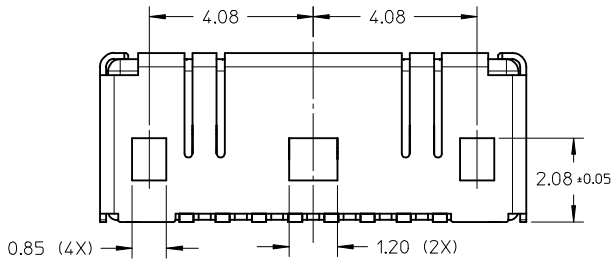
C

B

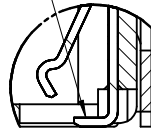
A



SECTION X-X



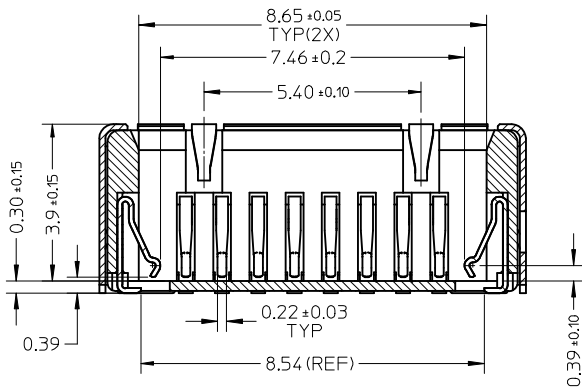
NO SOLDER PASTE  
AND WICKING ALLOWED.



DETAIL 1

NOTES:

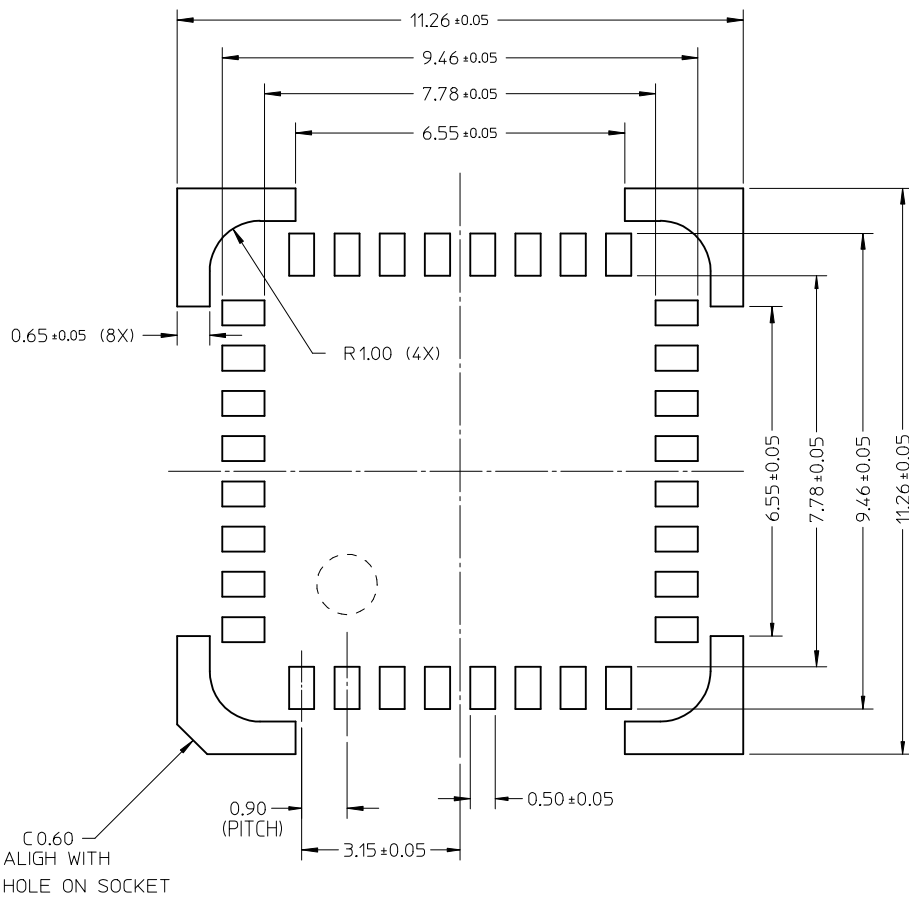
- MATERIALS  
HOUSING: LCP, BLACK, UL94 V-0  
TERMINAL: COPPER ALLOY.  
SHELL: COPPER ALLOY
- FINISH  
TERMINAL: 2-4 MICROMETER NICKEL UNDERPLATING OVERALL,  
GOLD PLATING 0.3 MICROMETER ON CONTACT AREA,  
GOLD FLASH PLATING ON SOLDER AREA.  
SHELL: SEE THE TABLE OF PAGE 2
- PAKAGING: TAPE&REEL
- COPLANALITY TO BE 0.08MM MAX.
- APPLICABLE CAMERA MODULE SEE SHEET 3.



SECTION Z-Z

ADD PLATING TYPE EC NO: SH2015-0274 DRWN: JHU0 2015/01/14 CHKD: APPR: AYIN 2015/04/08 REV	QUALITY SYMBOLS $F_{\sigma} = 0$ $F_{\sigma} = 0$ $F_{\sigma} = 0$	GENERAL TOLERANCES (UNLESS SPECIFIED) mm INCH 4 PLACES ± --- ± --- 3 PLACES ± --- ± --- 2 PLACES ± 0.10 ± --- 1 PLACE ± 0.15 ± --- 0 PLACE ± --- ± ---	DIMENSION STYLE MM ONLY DRAWN BY: ERIC CHENG DATE: 2009/07/15 CHECKED BY: WFDENG DATE: 2009/07/15 APPROVED BY: WFDENG DATE: 2009/07/15	SCALE 8:1	DESIGN UNITS METRIC	THIRD ANGLE PROJECTION	
	ANGULAR ± 1 °	DRAFT WHERE APPLICABLE MUST REMAIN WITHIN DIMENSIONS	MATERIAL NO. SEE TABLE	TITLE 8.5*8.5 CAMERA SOCKET SIDE CONTACT TYPE TOP MOUNT	DOCUMENT NO. SD-105028-301	SHEET NO. 1 OF 3	
	THIS DRAWING CONTAINS INFORMATION THAT IS PROPRIETARY TO MOLEX INCORPORATED AND SHOULD NOT BE USED WITHOUT WRITTEN PERMISSION						
	SIZE A3						

10 9 8 7 6 5 4 3 2 1



RECOMMENDED PCB LAYOUT  
TOLERANCE ±0.05 MM

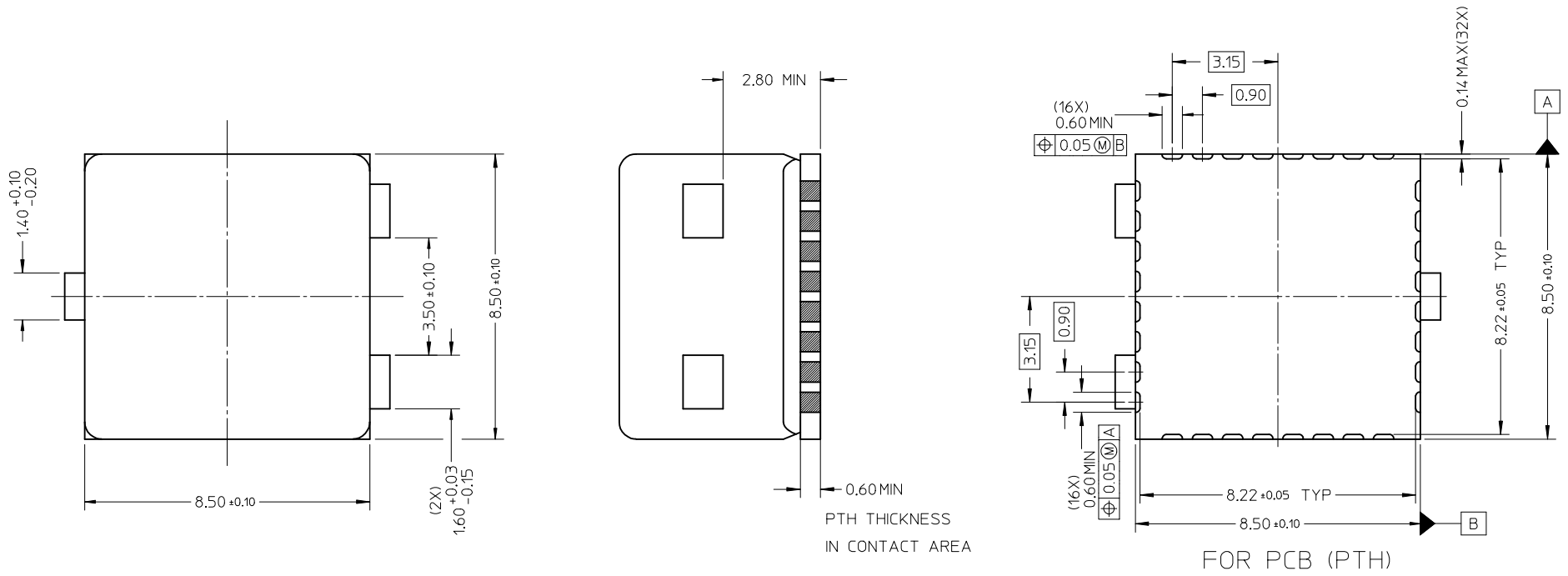
OPTION	PART NO.	PLATING SPECIFICATION
1	1050283001	1.27 MICRON MIN NICKEL UNDERPLATING OVERALL GOLD FLASH ON SOLDERING AREA
2	1050283011	1.27 MICRON MIN NICKEL UNDERPLATING OVERALL 1.5 MICRON MIN MATTE TIN ON SOLDERING AREA
3	1050283021	1.27 MICRON MIN SOLDERABILITY NICKEL OVERALL

SHELL PLATING TYPE

<b>ADD PLATING TYPE</b> EC NO: SH2015-0274 DRW:WJRUO 2015/01/14 CHKD: APPR:AYIN 2015/04/08	QUALITY SYMBOLS $F_{\Delta} = 0$ $F_C = 0$ $F_P = 0$	GENERAL TOLERANCES (UNLESS SPECIFIED) mm INCH 4 PLACES ± --- ± --- 3 PLACES ± --- ± --- 2 PLACES ± 0.10 ± --- 1 PLACE ± 0.15 ± --- 0 PLACE ± --- ± ---	DIMENSION STYLE <b>MM ONLY</b> DRAWN BY DATE ERIC CHENG 2009/07/15 CHECKED BY DATE WFDENG 2009/07/15 APPROVED BY DATE WFDENG 2009/07/15	SCALE <b>10:1</b> DESIGN UNITS <b>METRIC</b> THIRD ANGLE PROJECTION	TITLE <b>8.5*8.5 CAMERA SOCKET                  SIDE CONTACT TYPE                  TOP MOUNT</b> <b>molex</b>
	DRAFT WHERE APPLICABLE MUST REMAIN WITHIN DIMENSIONS	ANGULAR ± 1 °	MATERIAL NO.	DOCUMENT NO.	SHEET NO.
	SEE TABLE	SEE TABLE	SD-105028-301	2 OF 3	THIS DRAWING CONTAINS INFORMATION THAT IS PROPRIETARY TO MOLEX INCORPORATED AND SHOULD NOT BE USED WITHOUT WRITTEN PERMISSION
	SIZE <b>A3</b>				

9 8 7 6 5 4 3 2 1

# APPLIED CAMERA MODULE



<b>ADD PLATING TYPE</b> EC NO: SH2015-0274 DRW: WJH00 2015/01/14 CHKD: APPR: AY IN 2015/04/08	QUALITY SYMBOLS $F_{\Delta} = 0$ $F_{\square} = 0$ $F_{\nabla} = 0$	GENERAL TOLERANCES (UNLESS SPECIFIED)		DIMENSION STYLE <b>MM ONLY</b>		SCALE <b>8:1</b>	DESIGN UNITS <b>METRIC</b>	THIRD ANGLE PROJECTION		
			mm	INCH	DRAWN BY	DATE	TITLE			
		4 PLACES	± ---	± ---	ERIC CHENG	2009/07/15	<b>8.5*8.5 CAMERA SOCKET                  SIDE CONTACT TYPE                  TOP MOUNT</b>			
		3 PLACES	± ---	± ---	WFDENG	2009/07/15				
	± 0.10	± ---	APPROVED BY	DATE	<b>molex</b>					
2 PLACES	± 0.15	± ---	WFDENG	2009/07/15						
	± ---	± ---	MATERIAL NO.		DOCUMENT NO.					
	ANGULAR ± 1 °		SEE TABLE		SD-105028-301					
DRAFT WHERE APPLICABLE MUST REMAIN WITHIN DIMENSIONS		SIZE A3		THIS DRAWING CONTAINS INFORMATION THAT IS PROPRIETARY TO MOLEX INCORPORATED AND SHOULD NOT BE USED WITHOUT WRITTEN PERMISSION						