

2 & 3
CIRCUITS

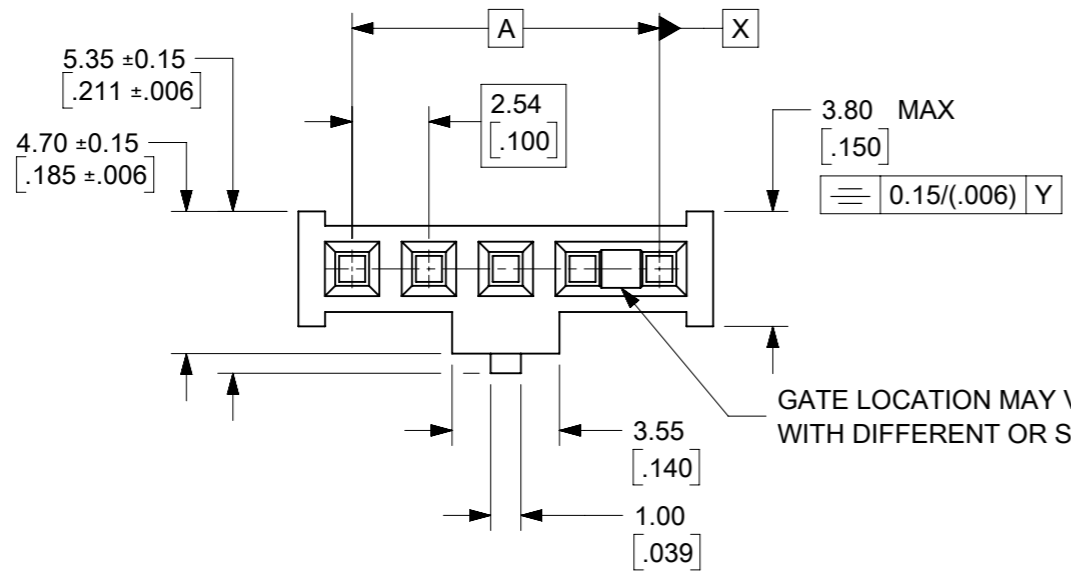
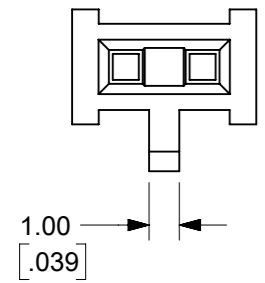
4 TO 32
CIRCUITS

PART NUMBER:
90156-XXXX

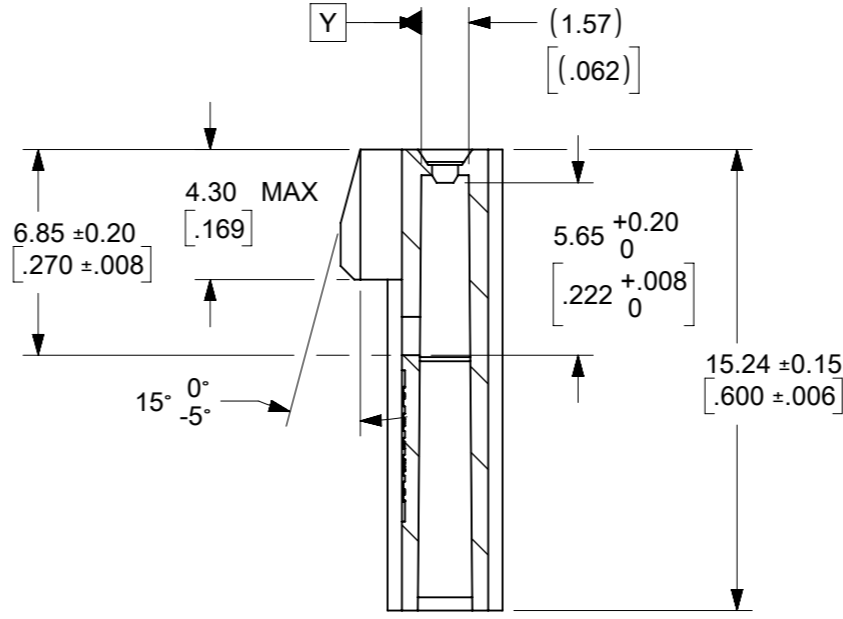
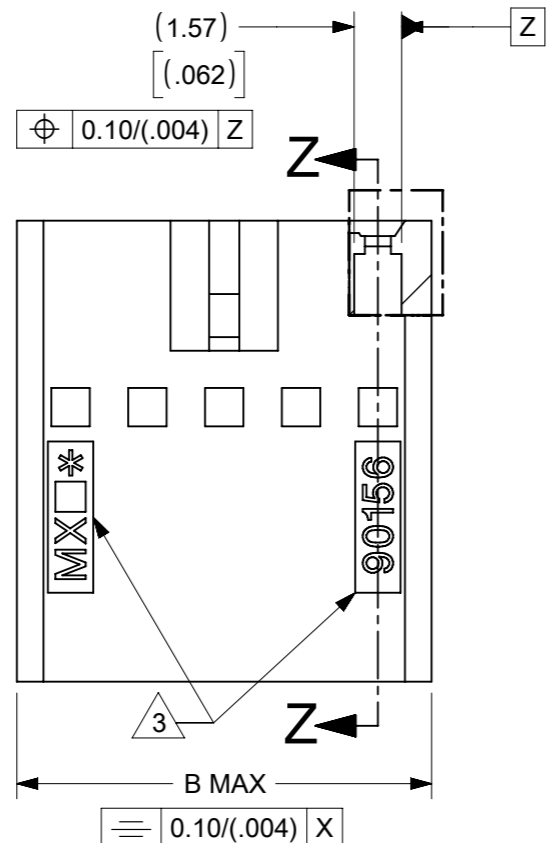
CIRCUIT SIZE
REF.NO
(SEE CHART)

MATERIAL CODE:
SEE NOTE 1

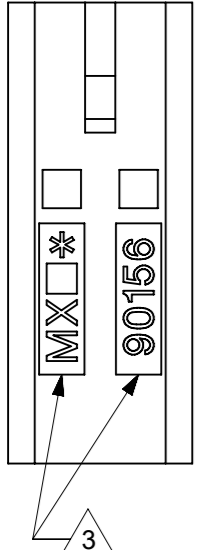
No. OF CKTS	PART NUMBER	DIM A	DIM B
2	90156-XX42	2.54/(.100)	6.14/(.242)
3	▲ -XX43	5.08/(.200)	8.68/(.342)
4	-XX44	7.62/(.300)	11.22/(.442)
5	-XX45	10.16/(.400)	13.76/(.542)
6	-XX46	12.70/(.500)	16.30/(.642)
7	-XX47	15.24/(.600)	18.84/(.742)
8	-XX48	17.78/(.700)	21.38/(.842)
9	-XX49	20.32/(.800)	23.92/(.942)
10	-XX50	22.86/(.900)	26.46/(1.042)
11			
12	-XX52	27.94/(1.100)	31.54/(1.242)
13	-XX53	30.48/(1.200)	34.08/(1.342)
14	-XX54	33.02/(1.300)	36.62/(1.442)
15	-XX55	35.56/(1.400)	39.16/(1.542)
16	-XX56	38.10/(1.500)	41.70/(1.642)
17			
18	-XX58	43.18/(1.700)	46.78/(1.842)
19			
20	-XX60	48.26/(1.900)	51.86/(2.042)
21			
22	-XX62	53.34/(2.100)	56.94/(2.242)
23			
24			
25	-XX65	60.96/(2.400)	64.56/(2.542)
26			
27			
28			
29			
30	-XX70	73.66/(2.900)	77.26/(3.042)
31			
32	90156-XX72	78.74/(3.100)	82.34/(3.242)



GATE LOCATION MAY VARIES WITH DIFFERENT OR SAME CKT SIZE



SECTION Z-Z



- NOTES:
- MATERIAL CODE XX: 90156 - XX ** :
01 - POLYPHENYLENE OXIDE (PPO) UL94 V-1 COLOR: BLACK
10 - GLOW WIRE OPTION POLYESTER (PBT) UL94 V-2 COLOR: NATURAL
 - PRODUCT SPECIFICATION: PS-99020-0001
 - MOLEX LOGO, SERIES NUMBER AND CAVITY ID TO BE PLACED ON THIS FACE.

FUNCTIONAL SYMBOLS	THIS DRAWING CONTAINS INFORMATION THAT IS PROPRIETARY TO MOLEX ELECTRONIC TECHNOLOGIES, LLC AND SHOULD NOT BE USED WITHOUT WRITTEN PERMISSION	CURRENT REV DESC:		molex
	MM/IN	SCALE	NTS	
DIVISIONAL SYMBOLS	GENERAL TOLERANCES (UNLESS SPECIFIED)		EC NO: 742393 DRWN: SUAIFR CHK'D: SUAIFR APPR: MRAMAKRISHNA 2023/03/13 2023/03/15 2023/03/15	PRODUCT CUSTOMER DRAWING
	4 PLACES ±	MM		
	3 PLACES ±	± 0.004	INITIAL REVISION:	DOC TYPE
	2 PLACES ±	0.2	DRWN: GMCSWEEN APPR: KHLIM 2004/05/07 2015/11/05	DOC PART
	1 PLACE ±			REVISION
	0 PLACES ±			
	ANGULAR TOL	± 2.0°		
	DRAFT WHERE APPLICABLE MUST REMAIN WITHIN DIMENSIONS	THIRD ANGLE PROJECTION	DRAWING	SHEET NUMBER
			A3-SIZE	1 OF 1
			SERIES	
			90156	
			MATERIAL NUMBER	
			SEE TABLE	
			CUSTOMER	
			GENERAL MARKET	