

10

9

8

7

5

4

3

2

79576

MATERIAL #	APPLICATION	AWG	LENGTH(M)	TOL(+/-)	PIN OUT
79576-3000	IPASS ON BP	30	0.152	0.015	PIN OUT 1
79576-3001	IPASS ON BP	30	0.3	0.015	PIN OUT 1
79576-3002	IPASS ON BP	30	0.5	0.015	PIN OUT 1
79576-3006	IPASS ON BP	30	0.6	0.015	PIN OUT 1
79576-3007	IPASS ON BP	28	1	0.030	PIN OUT 1
79576-3008	IPASS ON CTRL	30	0.152	0.015	PIN OUT 2
79576-3009	IPASS ON CTRL	30	0.3	0.015	PIN OUT 2
79576-3003	IPASS ON CTRL	30	0.5	0.015	PIN OUT 2
79576-3004	IPASS ON CTRL	30	0.6	0.015	PIN OUT 2
79576-3005	IPASS ON CTRL	28	1	0.030	PIN OUT 2
79576-3010	IPASS ON CTRL	28	0.178	0.015	PIN OUT 2
79576-3011	IPASS ON CTRL	28	0.267	0.015	PIN OUT 2
79576-3012	IPASS ON BP	30	0.2	0.015	PIN OUT 1

NOTES:

1. MATERIAL:

OVER MOLD - POLYBUTYLENE TEREPHTHALATE (PBT), 94-V0,
GLASS FILLED 30%.

LATCH - STAINLESS STEEL ALLOY.

CABLE -

SIGNALS PVC INSULATION

SOLID COPPER SIGNAL AND DRAIN.

INNER DIELECTRIC IS POLYOLEFIN

TWIN-AX SHIELD IS ALUMINIZED POLYESTER FOIL.

PCB - FR4

2. PRODUCT TO PERFORM PER

PRODUCT SPECIFICATION: PS-79536-001.

3. PRODUCT SERIES 74562 MATES TO 75783 (RIGHT ANGLE),
75784 (VERTICAL).4. THIS PRODUCT CONFORMS TO THE MECHANICAL
DIMENSIONING AND ELECTRICAL PERFORMANCE
REQUIREMENTS OF SFF-8086 AND SFF-8087.

5. MINIMUM RECOMMENDED BEND RADIUS 28 MM.

6. PIN OUT CONFORMS TO SAS 1.1 9.00

SECTION 5.2.4.1.3.3 F83

7. PRODUCT IS RoHS COMPLIANT.

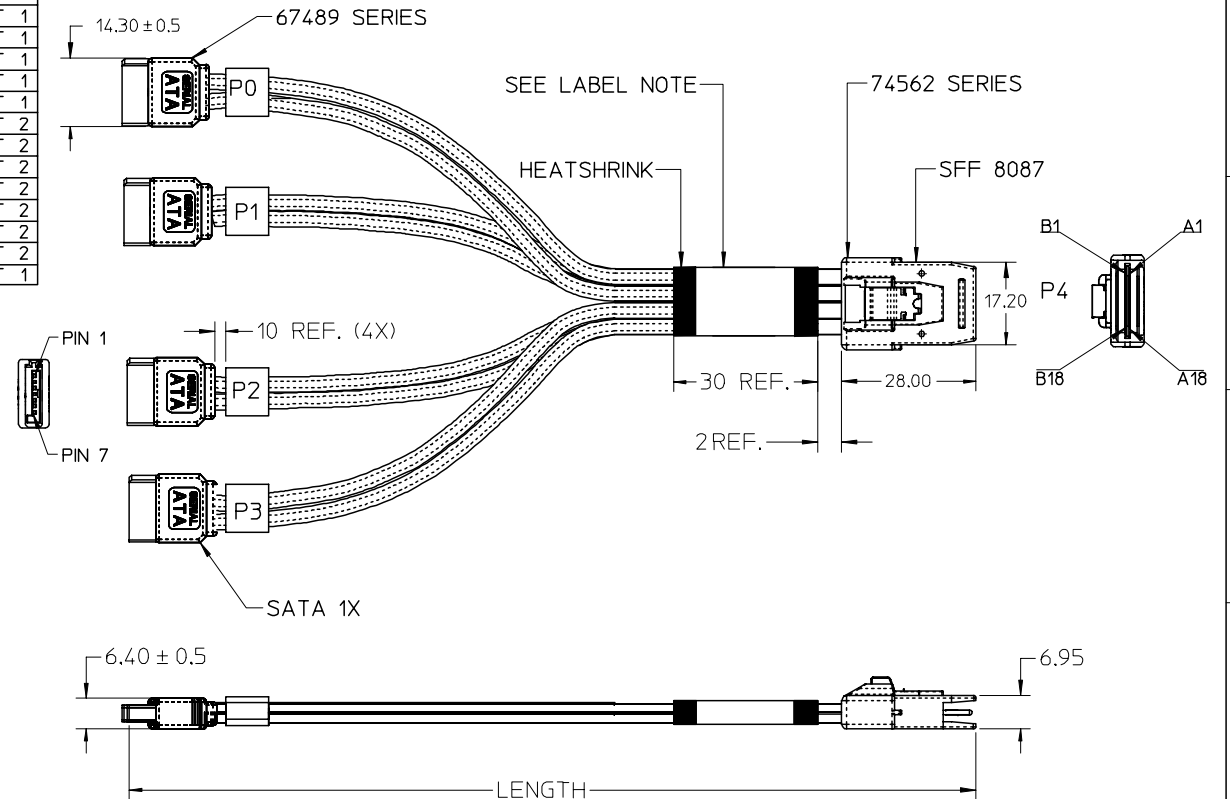
8. LABEL DETAIL:

MOLEX

79576-30XX

MADE IN CHINA

YY/WW



2. PRODUCT TO PERFORM PER

PRODUCT SPECIFICATION: PS-79536-001.

3. PRODUCT SERIES 74562 MATES TO 75783 (RIGHT ANGLE),
75784 (VERTICAL).4. THIS PRODUCT CONFORMS TO THE MECHANICAL
DIMENSIONING AND ELECTRICAL PERFORMANCE
REQUIREMENTS OF SFF-8086 AND SFF-8087.

5. MINIMUM RECOMMENDED BEND RADIUS 28 MM.

6. PIN OUT CONFORMS TO SAS 1.1 9.00

SECTION 5.2.4.1.3.3 F83

7. PRODUCT IS RoHS COMPLIANT.

8. LABEL DETAIL:

MOLEX

79576-30XX

MADE IN CHINA

YY/WW

IPASS™ IS A TRADEMARK OF MOLEX

ENTER DESCRIPTION		QUALITY SYMBOLS		GENERAL TOLERANCES (UNLESS SPECIFIED)		DIMENSION STYLE		SCALE		DESIGN UNITS		THIRD ANGLE PROJECTION	
EC NO:	DRWN:	CHKD:	APPR:	DESCRIPTION	mm	INCH	MM/IN	1:1	METRIC				
USY2007-0360	2007/03/27	2007/03/28	2007/03/28		4 PLACES	± ---	± ---	DRAWN BY	DATE	TITLE IPASS CABLE ASSY 36 CKT TO SATA FANOUT CABLE			
DRWN: SNAVARRO	2007/03/27	2007/03/28	2007/03/28		3 PLACES	± ---	± .01	JERWIN	2005/11/21				
CHKD: PSYTSWA	2007/03/28	2007/03/28	2007/03/28		2 PLACES	± 0.25	± ---	CHECKED BY	DATE	MOLEX INCORPORATED			
APPR: DDOYE	2007/03/28	2007/03/28	2007/03/28		1 PLACE	± ---	± ---	THALL	2005/11/21				
					ANGULAR ± 1 °		APPROVED BY		DATE	DOCUMENT NO. SD-79576-300			
					DRAFT WHERE APPLICABLE MUST REMAIN WITHIN DIMENSIONS		DDOYE		2005/11/21				
							MATERIAL NO.		SHEET NO. 1 OF 3				
							SEE CHART						
							SIZE B		THIS DRAWING CONTAINS INFORMATION THAT IS PROPRIETARY TO MOLEX INCORPORATED AND SHOULD NOT BE USED WITHOUT WRITTEN PERMISSION				

9

8

7

6

5

4

3

2

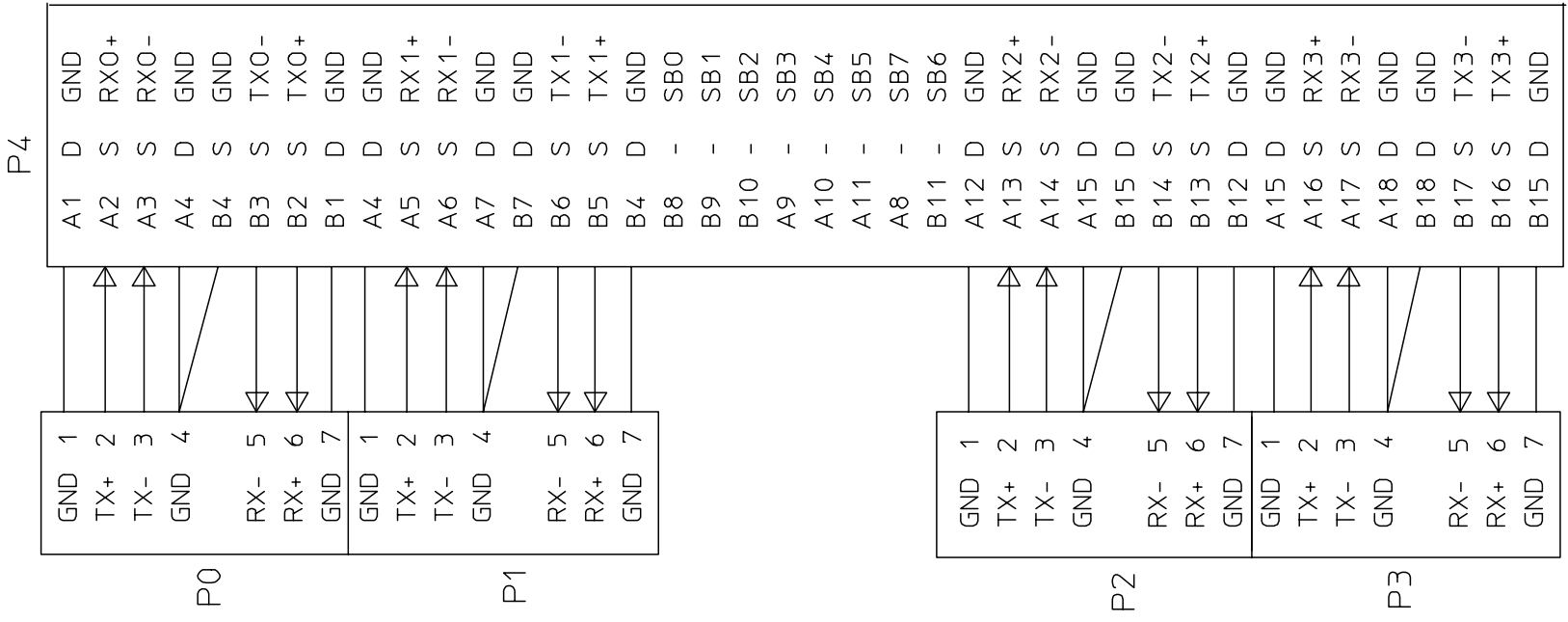
1

6 5 4 3 2 1

NOTE:

1. PIN OUT CONFORMS TO SAS 1.1 09D SECTION 5.2.3.2.3.3 FIG 83 AND SECTION 5.2.3.2.3.3 TBL 27
2. ALL SIGNAL GROUNDS ARE BUSSED IN PCB

PIN OUT 1



IPASS™ IS A TRADEMARK OF MOLEX.

NOTE:

- 1) D = DRAIN WIRE
- S = SIGNAL WIRE

ENTER DESCRIPTION EC NO: USY2007-0360 DRWN: SNAVARRO 2007/03/27 CHKD: PSYTSMA 2007/03/28 APPR: DDOYE 2007/03/28	
REV	DESCRIPTION

QUALITY SYMBOLS	= 0 = 0
-----------------	------------

GENERAL TOLERANCES (UNLESS SPECIFIED)																
	<table border="1"> <tr> <th></th> <th>mm</th> <th>INCH</th> </tr> <tr> <td>4 PLACES</td> <td>± .005</td> <td>± .0004</td> </tr> <tr> <td>3 PLACES</td> <td>± .005</td> <td>± .0004</td> </tr> <tr> <td>2 PLACES</td> <td>± 0.25</td> <td>± .010</td> </tr> <tr> <td>1 PLACE</td> <td>± .005</td> <td>± .0004</td> </tr> </table>		mm	INCH	4 PLACES	± .005	± .0004	3 PLACES	± .005	± .0004	2 PLACES	± 0.25	± .010	1 PLACE	± .005	± .0004
	mm	INCH														
4 PLACES	± .005	± .0004														
3 PLACES	± .005	± .0004														
2 PLACES	± 0.25	± .010														
1 PLACE	± .005	± .0004														
ANGULAR ± 1 °																
DRAFT WHERE APPLICABLE MUST REMAIN WITHIN DIMENSIONS																

DIMENSION STYLE		SCALE	DESIGN UNITS	THIRD ANGLE PROJECTION
MM/IN		1:1	METRIC	
DRAWN BY	DATE	TITLE		
JERWIN	2005/11/21	IPASS CABLE ASSY		
CHECKED BY	DATE	36 CKT TO SATA		
THALL	2005/11/21	FANOUT CABLE		
APPROVED BY	DATE	MOLEX INCORPORATED		
DDOYE	2005/11/21			
MATERIAL NO.	DOCUMENT NO.	SHEET NO.		
SEE CHART	SD-79576-300	2 OF 3		
SIZE	THIS DRAWING CONTAINS INFORMATION THAT IS PROPRIETARY TO MOLEX INCORPORATED AND SHOULD NOT BE USED WITHOUT WRITTEN PERMISSION			
A				

5 4 3 2 1

6

5

4

3

2

1

NOTE:

- 1. NON-STANDARD PIN OUT WITH SATA BACKPLANE CONNECTORS TWISTED
- 2. ALL SIGNAL GROUNDS ARE BUSSED IN PCB.

D

D

C

C

B

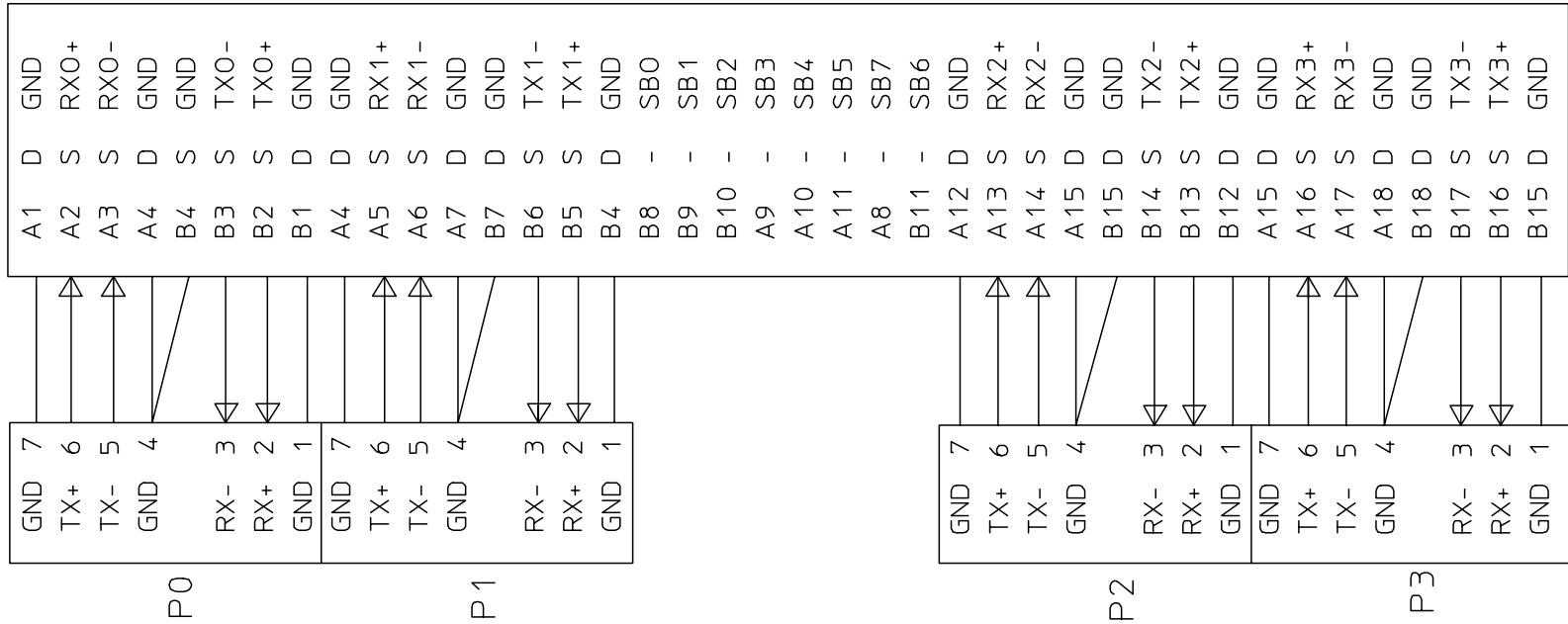
B

A

A

PIN OUT 2

P4



IPASS™ IS A TRADEMARK OF MOLEX.

NOTE:

- 1) D = DRAIN WIRE
- S = SIGNAL WIRE

ENTER DESCRIPTION	
EC NO: USY2007-0360	2007/03/27
DRWN: SNAVARRO	2007/03/28
CHKD: PSYTSMA	2007/03/28
APPR: DDOYE	2007/03/28
REV	DESCRIPTION

QUALITY SYMBOLS		=0
		=0.01

GENERAL TOLERANCES (UNLESS SPECIFIED)	4 PLACES	± ---	± ---
	3 PLACES	± ---	± .01
	2 PLACES	± 0.25	± ---
	1 PLACE	± ---	± ---
	ANGULAR ± 1 °		
DRAFT WHERE APPLICABLE MUST REMAIN WITHIN DIMENSIONS			

DIMENSION STYLE		SCALE	DESIGN UNITS	THIRD ANGLE PROJECTION
MM/IN		1:1	METRIC	
DRAWN BY	DATE	TITLE		
JERWIN	2005/11/21			
CHECKED BY	DATE			
THALL	2005/11/21	IPASS CABLE ASSY 36 CKT TO SATA FANOUT CABLE		
APPROVED BY	DATE			
DDOYE	2005/11/21	MOLEX INCORPORATED		
MATERIAL NO.	SEE CHART			
SIZE	A	DOCUMENT NO.	SD-79576-300	SHEET NO.
THIS DRAWING CONTAINS INFORMATION THAT IS PROPRIETARY TO MOLEX INCORPORATED AND SHOULD NOT BE USED WITHOUT WRITTEN PERMISSION		3 OF 3		

5

4

3

2

1