

**PC BOARD LAYOUT FOR
8 POSITION HOUSING**
(COMPONENT SIDE OF BOARD)

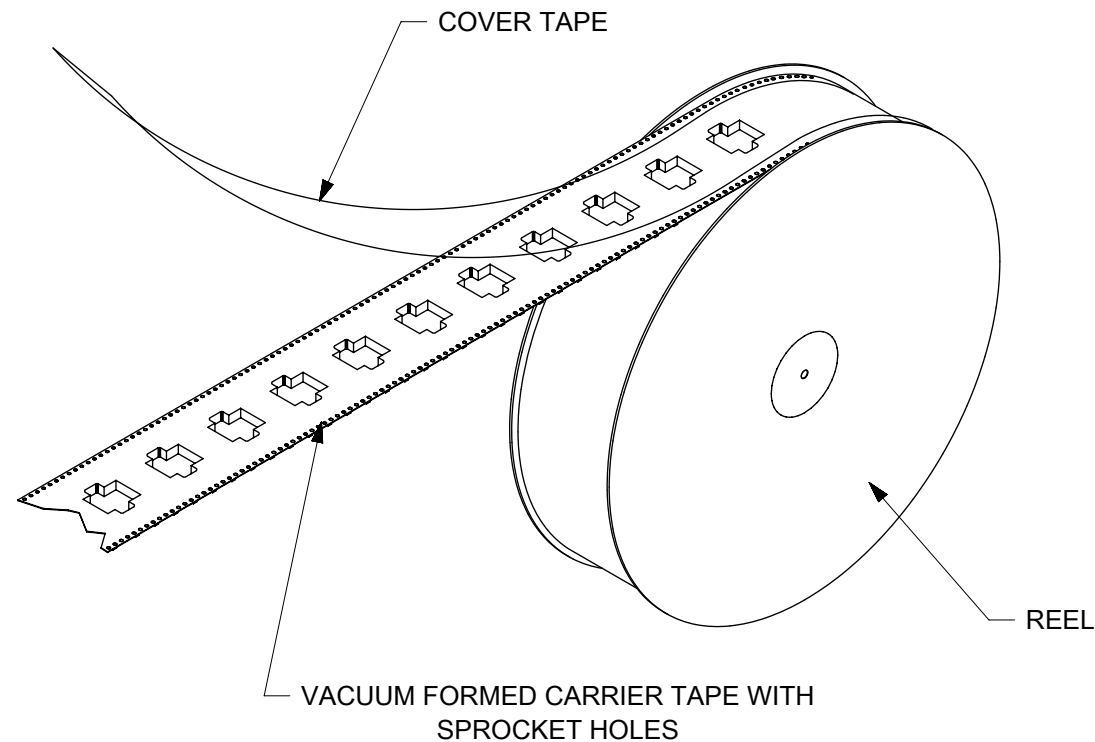
**PC BOARD LAYOUT FOR
6 POSITION HOUSING**
(COMPONENT SIDE OF BOARD)

- NOTES:
- MATERIAL:
HOUSING & INSULATOR: NYLON(PA), GLASS FILLED, UL94V-0, COLOR: BLACK
TERMINALS: PHOSPHOR BRONZE, 0.30 mm THICK
FITTING NAILS: BRASS, 0.25 mm THICK
 - FINISH:
TERMINALS:
A = SELECT GOLD IN CONTACT AREA: 0.00127 MIN.,
SELECT MATTE TIN IN PC TAIL AREA: 0.00254 MIN.,
WITH OVERALL NICKEL UNDERPLATE: 0.00127 MIN.
B = SELECT GOLD IN CONTACT AREA: 0.00076 mm MIN.,
SELECT MATTE TIN IN PC TAIL AREA: 0.00254 mm MIN.,
WITH OVERALL NICKEL UNDERPLATE: 0.00127 mm MIN.
C = SELECT GOLD IN CONTACT AREA: 0.00038 mm MIN.,
SELECT MATTE TIN IN PC TAIL AREA: 0.00254 mm MIN.,
WITH OVERALL NICKEL UNDERPLATE: 0.00127 mm MIN.
 - FITTING NAILS:
2.54 MICROMETER MATTE TIN OVER 1.27 MICROMETER NICKEL UNDERPLATE
 - PRODUCT SPECIFICATION AND PROCESSING PARAMETERS: PS-43743-0001.
 - PACKAGING SPECIFICATION:
CONNECTOR ASSEMBLIES TO BE PACKAGED USING TAPE & REEL SYSTEM.
 - COPLANARITY SPECIFICATION:
WHEN AN ASSEMBLY IS PLACED UPON A LEVEL SURFACE, THE MAXIMUM GAP BETWEEN THE LEVEL SURFACE AND ALL TERMINAL TAILS AND BOTH FITTING NAILS IS 0.15 mm.
 - FOR ASSEMBLIES HAVING VOIDED CIRCUITS, THE TAIL PORTION IS CUT AND REMOVED. THE MATING PORTION OF THE TERMINAL REMAINS INTACT. VOIDED CIRCUITS MUST BE THE SAME FOR BOTH PARTS.
 - CONFORMS TO FCC REGULATION PART 68.5 FOR MODULAR JACKS.

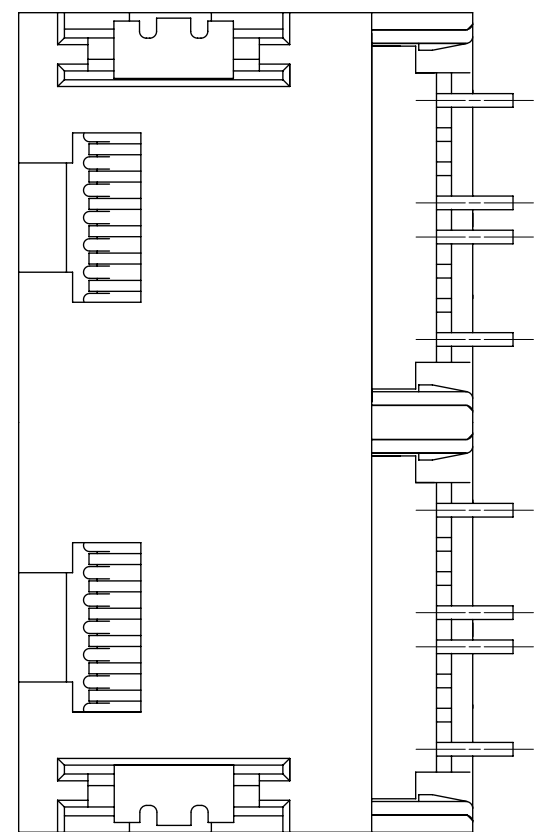
DOCUMENT STATUS	P1	RELEASE DATE	2019/01/23	16:39:23
-----------------	----	--------------	------------	----------

SYMBOLS	THIS DRAWING CONTAINS INFORMATION THAT IS PROPRIETARY TO MOLEX ELECTRONIC TECHNOLOGIES, LLC AND SHOULD NOT BE USED WITHOUT WRITTEN PERMISSION		CURRENT REV DESC: SEE ECM 173578 FOR REFERENCE		
	MM	3:1	EC NO: 610913		
▽ = 0	GENERAL TOLERANCES (UNLESS SPECIFIED)		DRWN: ME	2018/11/14	4, 6 & 8 CIRCUIT DUAL PORT SMT MODJACK
▽ = 0	ANGULAR TOL ± 0.5°		CHK'D: MKAMATHMARAK	2019/01/23	
▽ = 0	4 PLACES ±		APPR: ME	2019/01/23	PRODUCT CUSTOMER DRAWING
▽ = 0	3 PLACES ±		INITIAL REVISION:		DOCUMENT NUMBER
▽ = 0	2 PLACES ± 0.25		DRWN: RFC_PLMIMP	2018/09/24	SD-43841-001
▽ = 0	1 PLACE ± 0.38		APPR: KLANG	2016/10/10	DOC TYPE
▽ = 0	0 PLACES ±		THIRD ANGLE PROJECTION		PSD
▽ = 0	DRAFT WHERE APPLICABLE MUST REMAIN WITHIN DIMENSIONS		DRAWING	SERIES	DOC PART
▽ = 0			A3-SIZE	43841	001
			MATERIAL NUMBER	CUSTOMER	REVISION
			SEE CHART	GENERAL MARKET	G6
					SHEET NUMBER
					1 OF 2

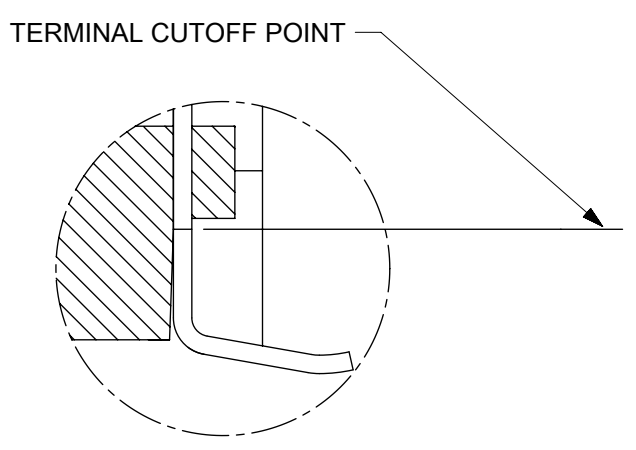
"X"=NOT TOOLED	ASSEMBLY ITEM NO.	CONNECTOR SIZE	CIRCUIT SIZE	TERMINAL PLATING	TAPE & REEL PACKAGING NO.	VOIDED CIRCUITS
X	43841-0001	8	4	A	PK-70873-7004	NA
X	43841-0002	8	6	A	PK-70873-7004	▲
	43841-0003	8	8	A	PK-70873-7004	
X	43841-0004	6	4	A	PK-70873-7003	
	43841-0005	6	6	A	PK-70873-7003	
X	43841-0006	8	4	B	PK-70873-7004	
X	43841-0007	8	6	B	PK-70873-7004	
X	43841-0008	8	8	B	PK-70873-7004	
X	43841-0009	6	4	B	PK-70873-7003	
X	43841-0010	6	6	B	PK-70873-7003	
X	43841-0011	8	4	C	PK-70873-7004	
X	43841-0012	8	6	C	PK-70873-7004	
	43841-0013	8	8	C	PK-70873-7004	
X	43841-0014	6	4	C	PK-70873-7003	
X	43841-0015	6	6	C	PK-70873-7003	
X	43841-0016	6	2	A	PK-70873-7003	
X	43841-0017	6	2	B	PK-70873-7003	▼
X	43841-0018	6	2	C	PK-70873-7003	NA



TAPE AND REEL PACKAGING



TYPICAL VIEW SHOWING VOIDED CIRCUIT (CIRCUITS 2,3,6,7 SHOWN VOIDED)



VIEW SHOWING TYPICAL TERMINAL CUTOFF OF TAIL (SEE NOTE 6) FOR VOIDED CIRCUITS.

HOUSING SIZE	CIRCUIT SIZE	DIM. A
6	6	6.35
6	4	3.81
6	2	1.27
8	8	8.89
8	6	6.35
8	4	3.81

SYMBOLS	THIS DRAWING CONTAINS INFORMATION THAT IS PROPRIETARY TO MOLEX ELECTRONIC TECHNOLOGIES, LLC AND SHOULD NOT BE USED WITHOUT WRITTEN PERMISSION		molex		
	DIMENSION UNITS	SCALE			
▽ = 0	MM	3:1	EC NO: 610913		
▽ = 0	GENERAL TOLERANCES (UNLESS SPECIFIED)		DRWN: ME 2018/11/14		
▽ = 0	ANGULAR TOL ± 0.5°		CHK'D: MKAMATHMARAK 2019/01/23		
▽ = 0	4 PLACES ±		APPR: ME 2019/01/23		
▽ = 0	3 PLACES ±		INITIAL REVISION:		
▽ = 0	2 PLACES ± 0.25		DRWN: RFC_PLMIMP 2018/09/24		
▽ = 0	1 PLACE ± 0.38		APPR: KLANG 2016/10/10		
▽ = 0	0 PLACES ±		DOCUMENT NUMBER		
□ = 0	DRAFT WHERE APPLICABLE MUST REMAIN WITHIN DIMENSIONS		SD-43841-001		
▽ = 0	THIRD ANGLE PROJECTION		DOC TYPE		
	DRAWING		DOC PART		
	SERIES		REVISION		
	MATERIAL NUMBER		PSD 001 G6		
	CUSTOMER		SHEET NUMBER		
	SEE CHART		GENERAL MARKET 2 OF 2		