

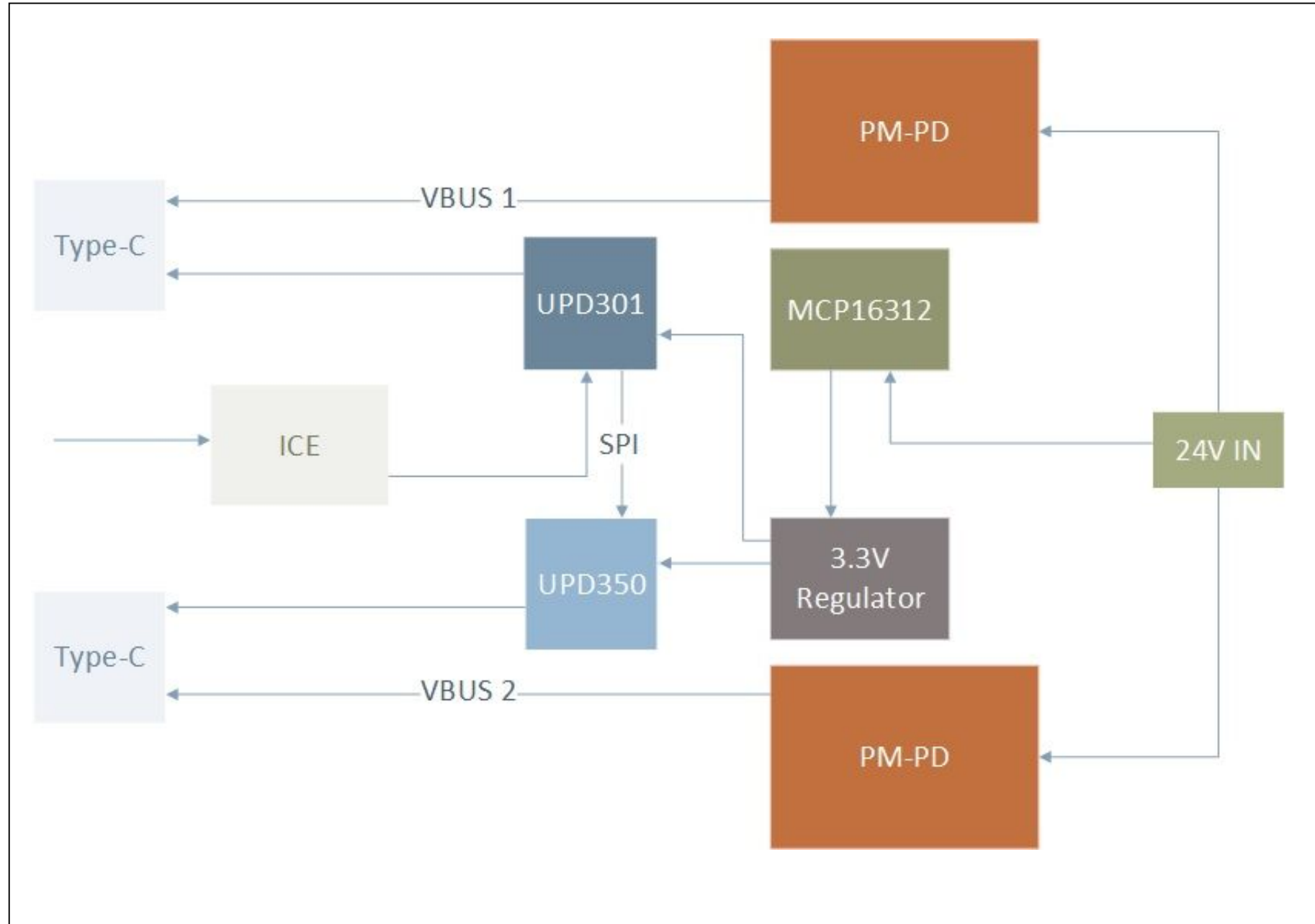
# UPD301 EVB (SRC)

## Table of Contents

Sheet	Description
1	The Block Diagram
2	UPD301 + UPD350
3	Downstream USB Data Ports
4	Power

## Revision History

Revision	Date	Revision Summary	Author
B0	7/16/2018	Initial Rev B Changes	Mick Davis
B1	10/10/2018	Rev B1 BOM Changes	
C	10/11/2018	Rev C 5V Changes	



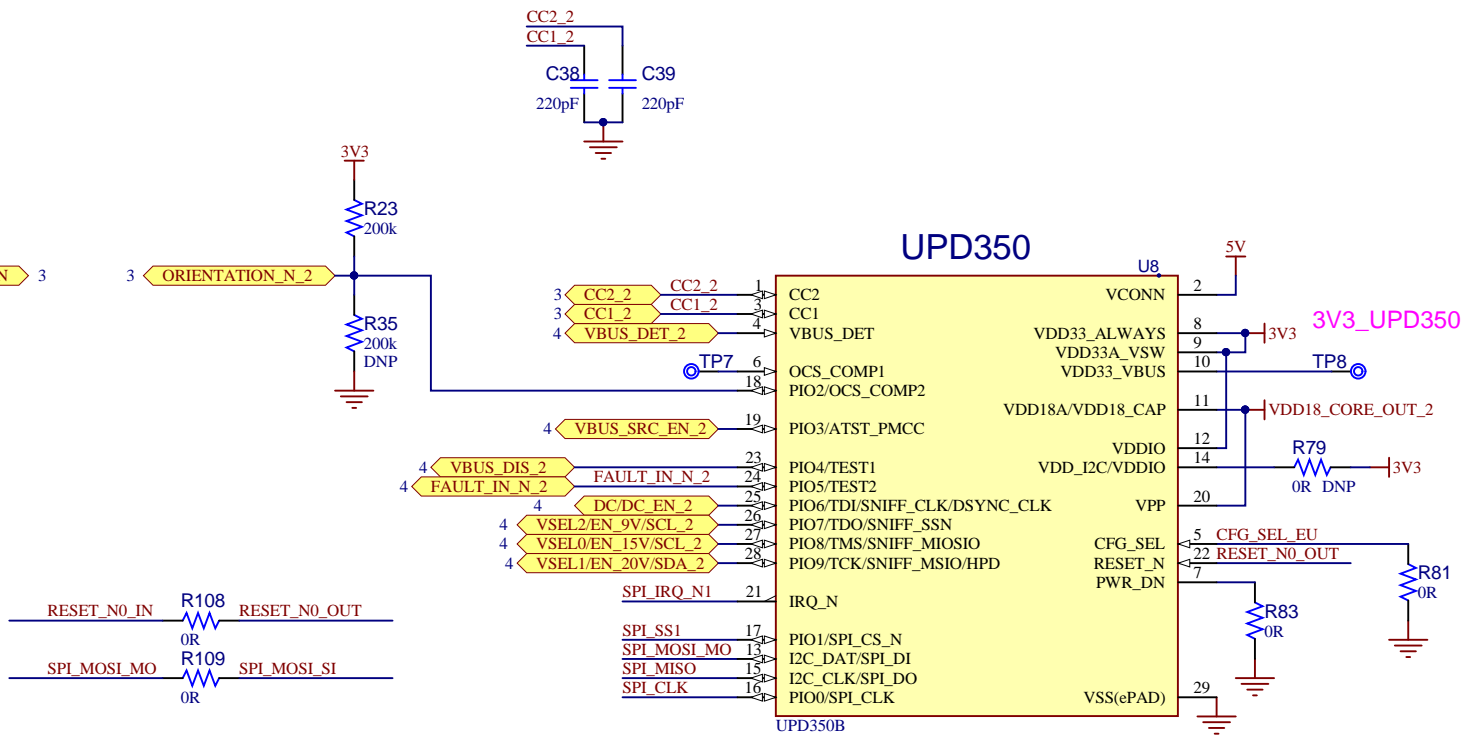
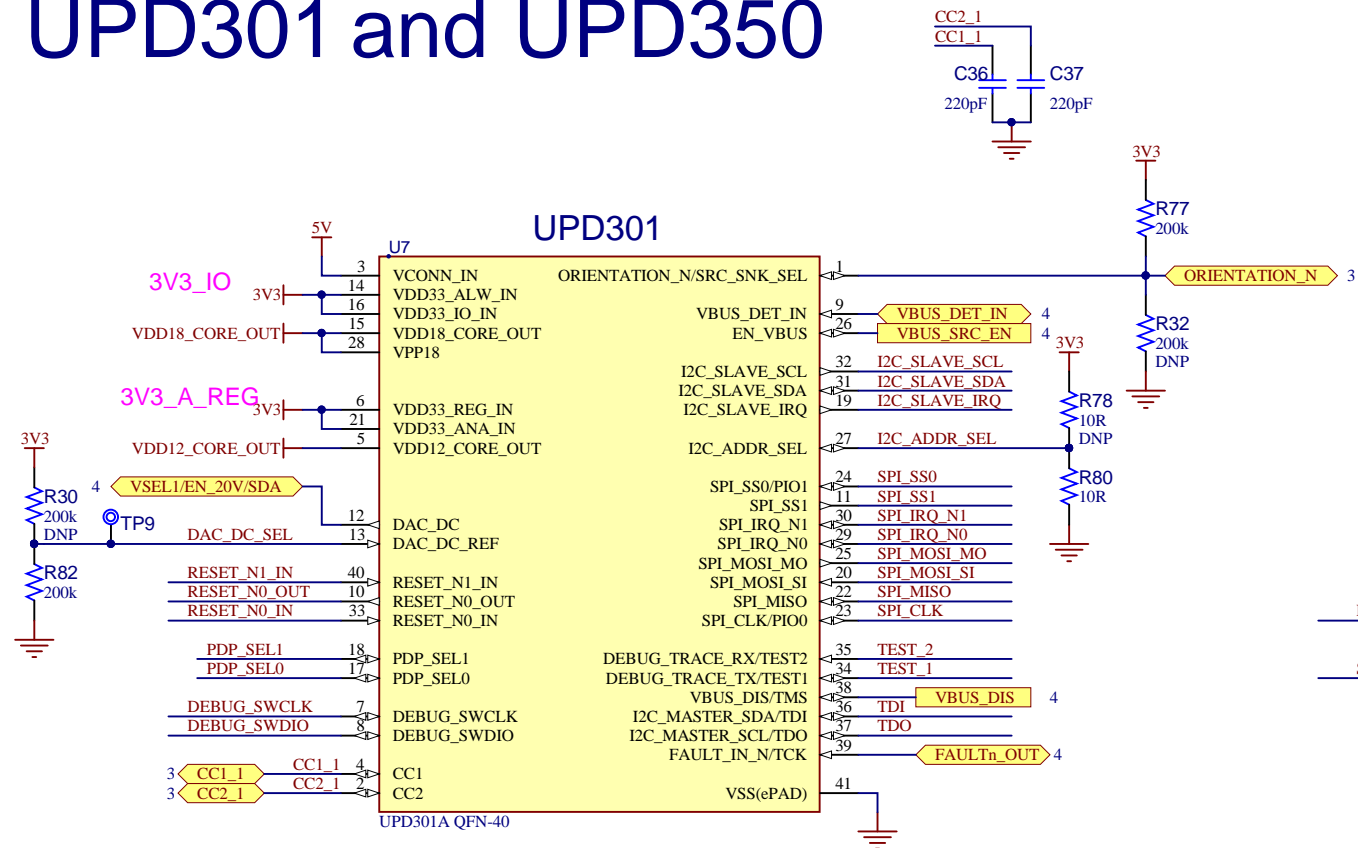
## Notes

- 1 Revision B1 BOM Change Only
- 2 Modified U3 5V Circuit
- 3 Reverted to Rev A LED Meter Scheme
- 4 Added Back Voltage Circuits to Type C VBUS
- 5 Added Pull-ups to Fault Signals
- 6 Added VBUS Test Points

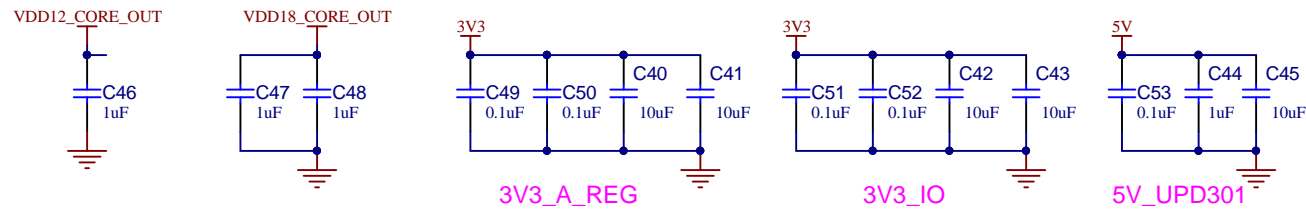
Drawn By: Jennifer Hancock		
Engineer: Mick Davis		
PartNumber: EVB-UPD301-SRC	Project Title: <b>UPD301 EVB (SRC)</b>	Variant: [No Variations]
Sheet Title: Title Block Diagram		
Size: Tabloid	Sch #:03-11033 Revision: 3.0	Date: 8/22/2019 1:57:23 PM Sheet 1 of 4
File: UNG_8170_EVB_UPD301_SRC_1_C.SchDoc		

Designed with Altium.com

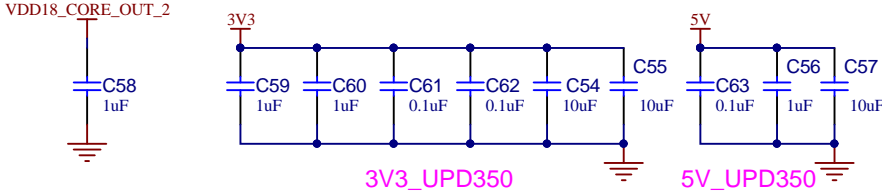
# UPD301 and UPD350



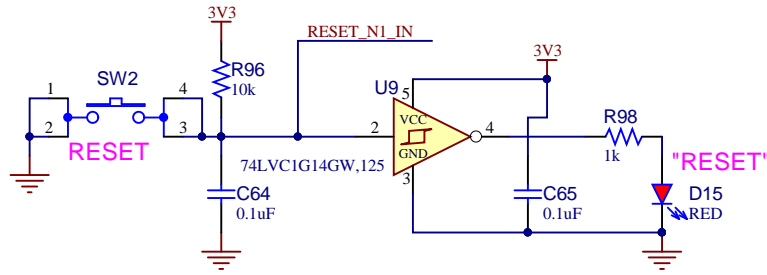
## UPD301 Bypass Caps



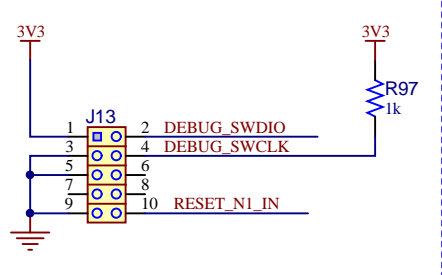
## UPD350 Bypass Caps



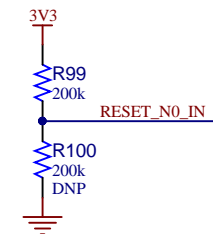
## Reset



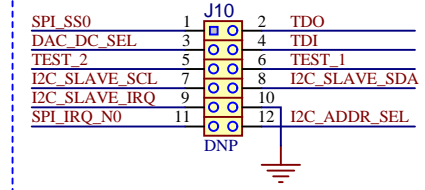
## ICE Header



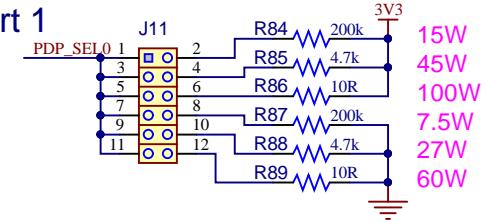
## BOOT\_SEL Strap



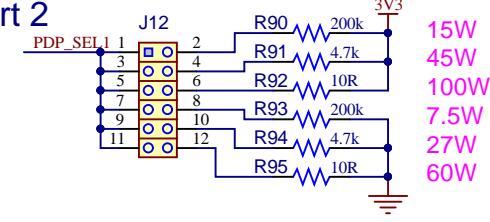
## UPD301 Test Header



## Port 1



## Port 2

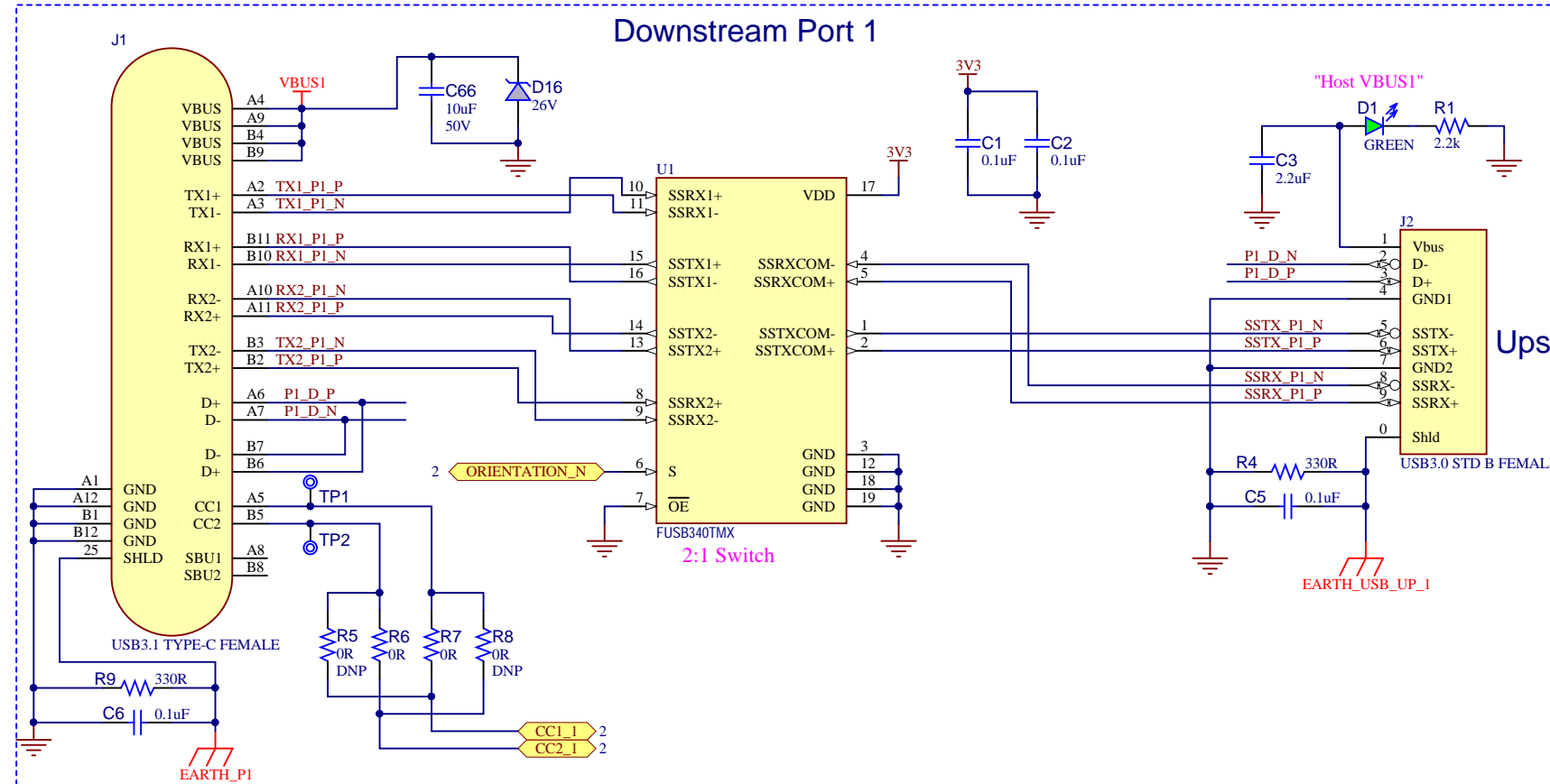


PDP	CONFIG#	STRAP	PDO 1	PDO 2	PDO 3	PDO 4
7.5W	CONFIG1	200k PD	5V@1.5A			
15W	CONFIG2	200k PU	5V@3A			
27W	CONFIG3	4.7k PD	5V@3A	9V@3A		
45W	CONFIG4	4.7k PU	5V@3A	9V@3A	15V@3A	
60W	CONFIG5	10 PD	5V@3A	9V@3A	15V@3A	20V@3A
100W	CONFIG6	10 PU	5V@5A	9V@5A	15V@5A	20V@5A
	N/A	No Resistor	Inconclusive; Not allowed			

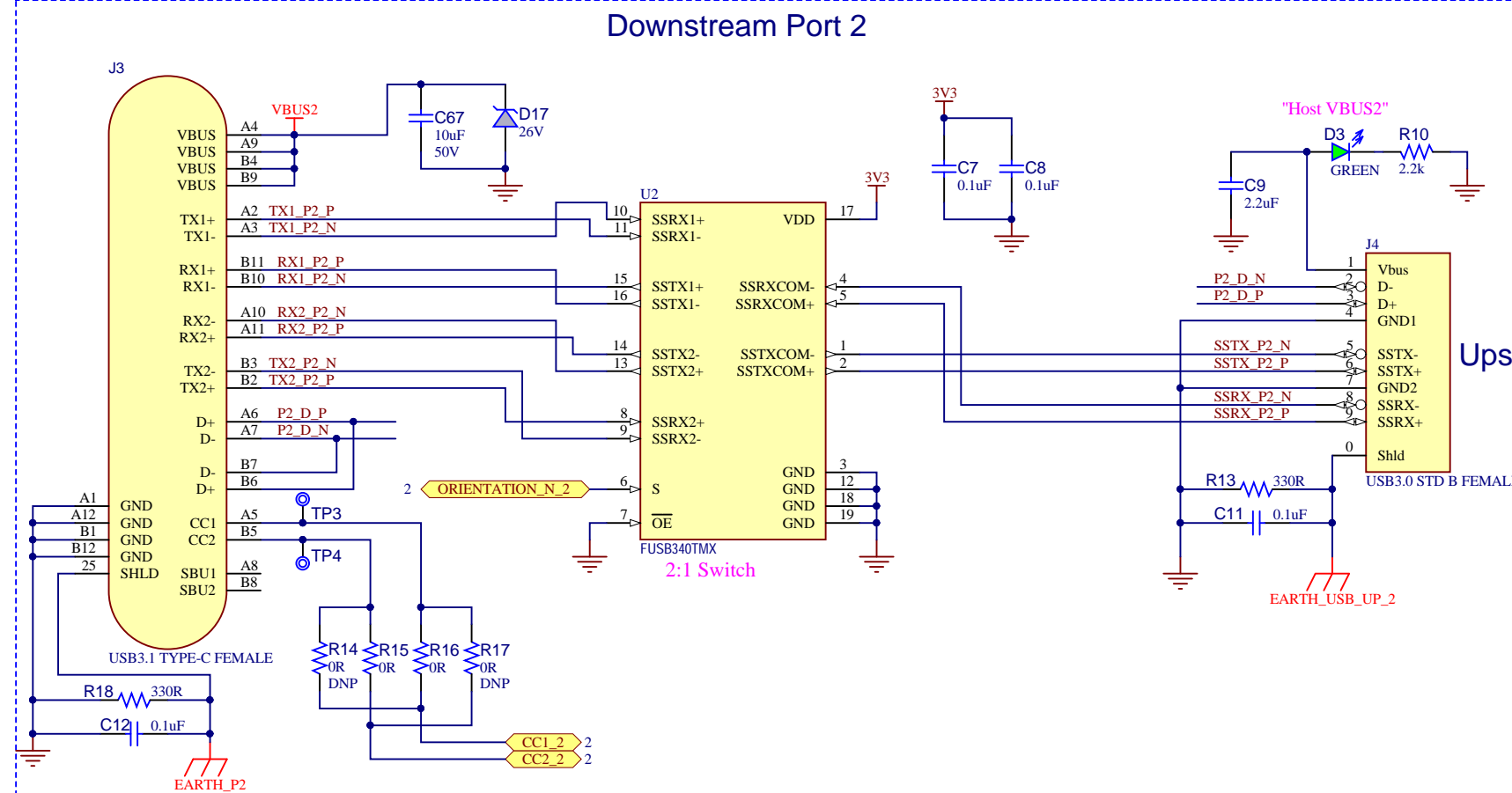
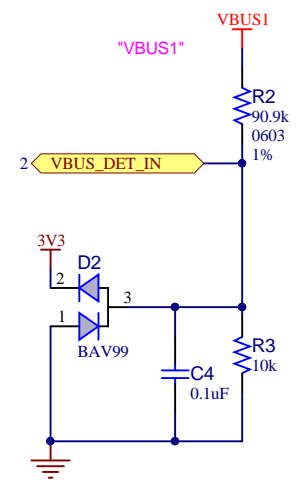
Drawn By: Jennifer Hancock  
 Engineer: Mick Davis  
 PartNumber: EVB-UPD301\_SRC  
 Project Title: UPD301 EVB (SRC)  
 Variant: [No Variations]  
 Sheet Title: UPD301 + UPD350  
 Size: Tabloid  
 Sch #: 03-11033  
 Date: 8/22/2019 1:57:24 PM  
 Revision: 3.0  
 Sheet 2 of 4  
 File: UNG\_8170\_EVB\_UPD301\_SRC\_2\_UPD301\_and\_External\_UPD350\_C.SchDoc

Designed with Altium Altium.com

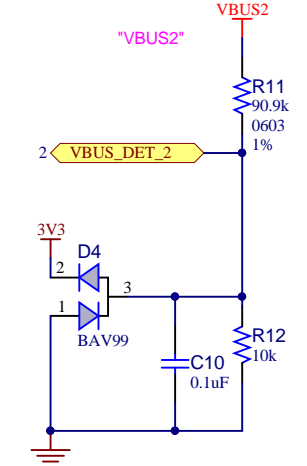
# Downstream USB Data Ports



Voltage Divider Port 1  
10:1 VBUS\_DET

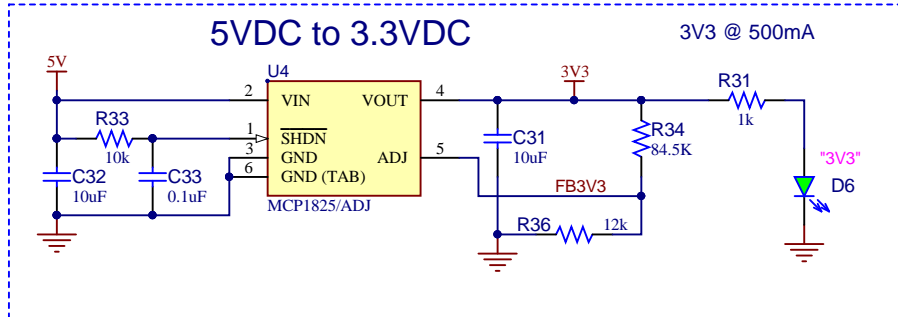
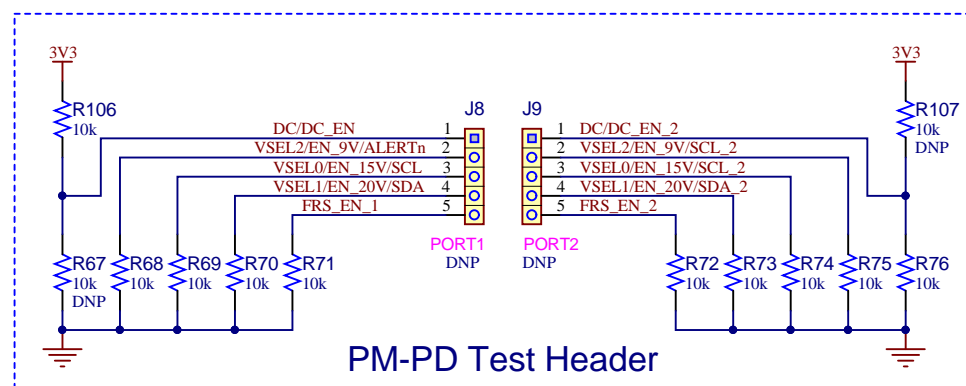
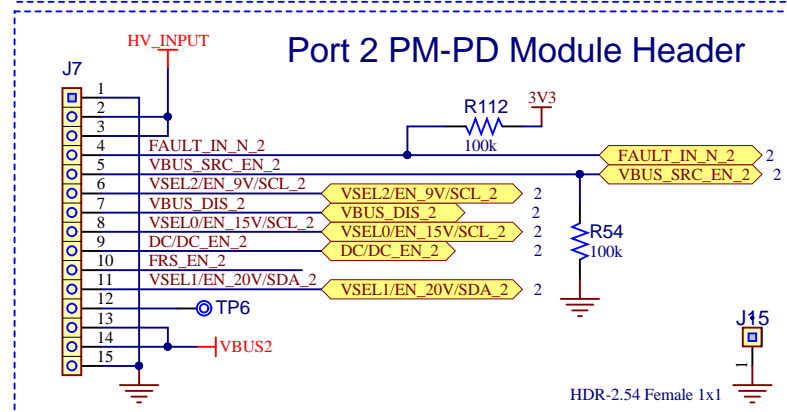
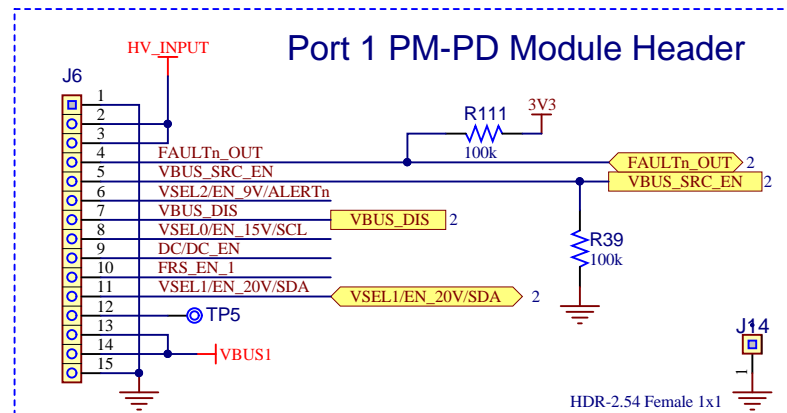
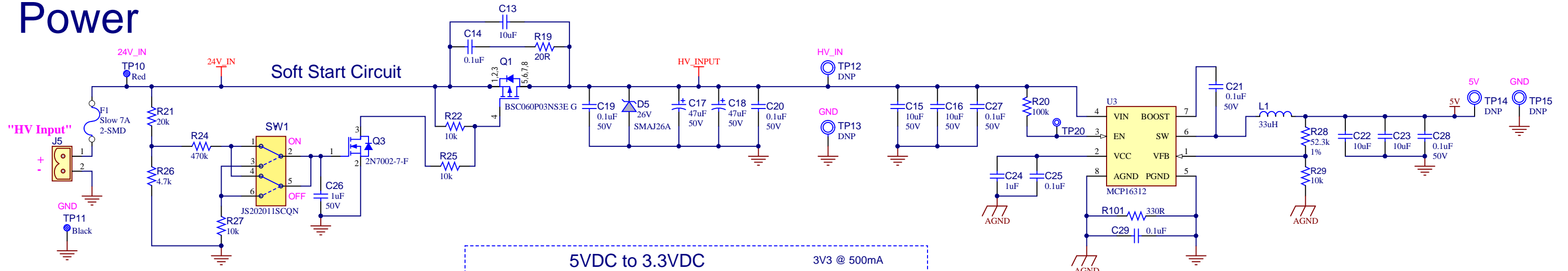


Voltage Divider Port 2  
10:1 VBUS\_DET

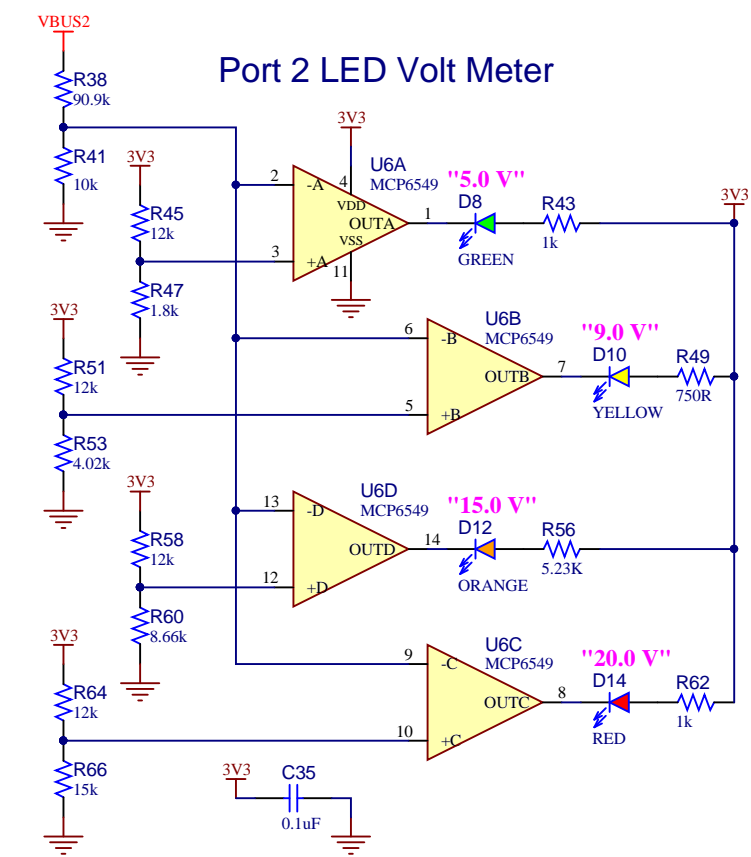
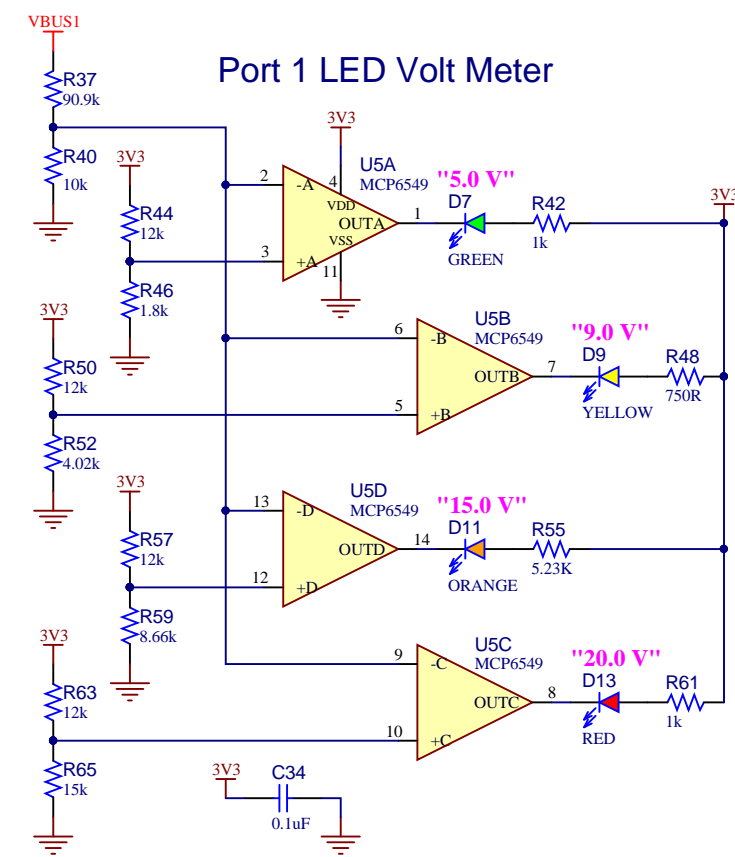


Drawn By: Jennifer Hancock		
Engineer: Mick Davis		
PartNumber: EVB-UPD301-SRC	Project Title: UPD301 EVB (SRC)	Variant: [No Variations]
Sheet Title: Downstream USB Data Ports		
Size: Tabloid	Sch #:03-11033 Revision: 3.0	Date: 8/22/2019 1:57:24 PM Sheet 3 of 4
File: UNG_8170_EVB_UPD301_SRC_3_Downstream_C.SchDoc		Designed with 

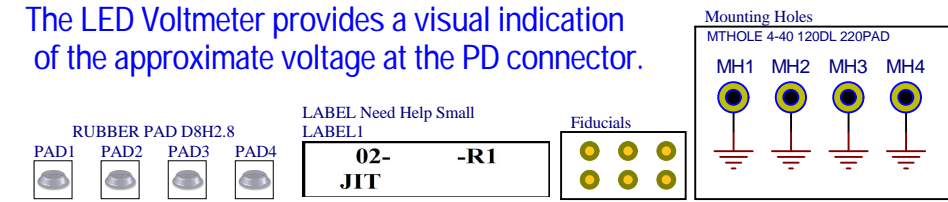
# Power



The LED Voltmeter provides a visual indication of the approximate voltage at the PD connector.



The LED Voltmeter provides a visual indication of the approximate voltage at the PD connector.



Drawn By: Jennifer Hancock			
Engineer: Mick Davis			
PartNumber: EVB-UPD301_SRC	Project Title: UPD301 EVB (SRC)	Variant: [No Variations]	
Sheet Title: Power			
Size: Tabloid	Sch #:03-11033	Date: 8/22/2019 1:57:25 PM	Designed with
Revision: 3.0	Sheet 4 of 4		
File: UNG_8170_EVB_UPD301_SRC_4_Power_C.SchDoc			