

Product End of Life Notice

Rev 3/2017

CUB3T to CUB7T Timer Comparison



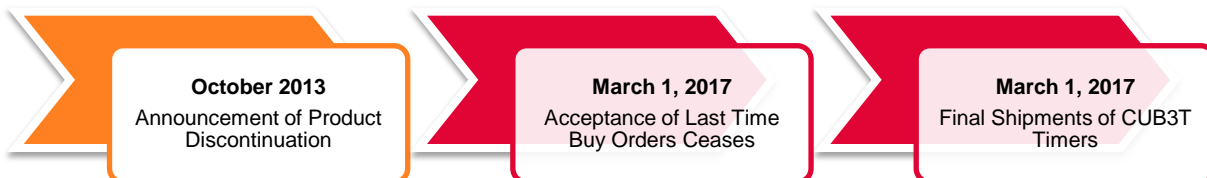
Introduction

The CUB3T Timer was introduced as an innovative, low cost timing product; with almost a decade of sales, the CUB3T Timers have enjoyed great success. Some time ago, the CUB7T was launched to be the new and improved CUB3T. Despite its continued value, due to circumstances beyond our control we decided to discontinue the CUB3T product line in October of 2013. With many of the same features and the addition of a sealed front panel, the CUB7T is well positioned to be a functional replacement for the CUB3T.

This document describes the alternatives available and provides information on how their features compare with one another.

Timing

Red Lion Controls intends to honor the standard warranty obligation for this product when ordered and delivered in accordance with the following transition schedule:



October 2013

- Announcement to customers
- Red Lion begins accepting non-cancellable, non-returnable last time buy orders
- We can longer accept orders at this time

March 1, 2017

- General availability of CUB3T Timers ceases
- Acceptance of last time buy orders concludes

March 1, 2017

- Shipment of CUB3T Timers stops

Why is this transition taking place?

The CUB3T Timers were designed with some components and tooling that have ceased to be readily available. With the CUB7T Timers in place, continuing to sell the CUB3T Timers is not sustainable.

What happens to my current investment in CUB3T Timers?

Maintaining excellent compatibility for easy and cost-effective transition is an important design criterion when designing next generation products. Red Lion Controls recommends the CUB7T Timers as a designated replacement for the CUB3T Timers. The CUB7T Timers provide longer battery life, improved flexibility, and a sealed front bezel while still maintaining functional compatibility.

Please see Appendix A for a detailed comparison of the two products.

Appendix A

Comparison of CUB3T Timer and CUB7T Timer

The CUB7T Timer is the designated replacement for the CUB3T Timer. The chart below compares the features of the two products.



Figure 1 CUB3T Timer



Figure 2 CUB7T Timer

	CUB3T Timer	CUB7T Timer
Part Number	See product listing below	
Power	Non-replaceable Lithium ion battery, with nominal 7 year life	Non-replaceable Lithium ion battery, with nominal 7 year life
Construction	Plastic	Plastic
Connections	Wires	Wires or optional terminal block
Accuracy	0.025%	0.03% +100 ms per RUN terminal activation
Input Flexibility	Operates from a switch contact or 10 to 300 VAC/VDC	Operates from a switch contact or 10 to 250 VAC/VDC
Reset Capability	Remote or Front Panel/Remote	Front Panel/Remote
Display Type	Reflective	Reflective
Display Height	0.2 in	0.35 in
Mounting Considerations	Exact replacement	

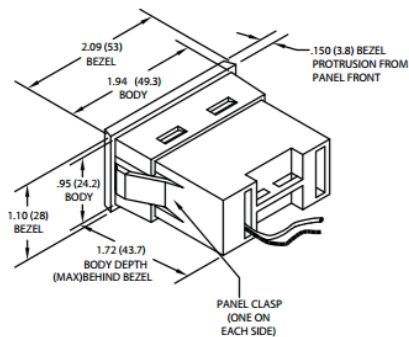


Figure 4 CUB3T Mechanical Drawing

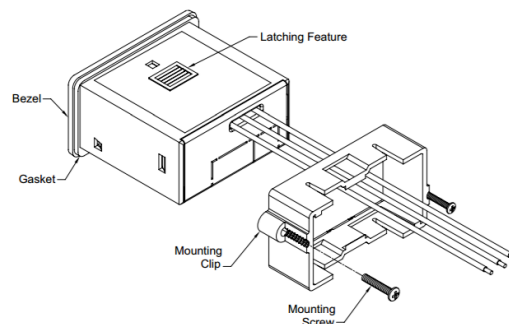


Figure 3 CUB7T Mechanical Drawing

Product Cross Reference List

Information on recommended replacements is available on Red Lion's website and is listed below for your convenience: <http://www.redlion.net/support/product-cross-reference/product-replacement-guide>

RED LION	CUB3T000	CUB7TCS0
Review size and mounting requirements. Wiring color difference		
RED LION	CUB3T010	CUB7TCS0
Review size and mounting requirements. Wiring color difference		
RED LION	CUB3T020	CUB7TCS0
Review size and mounting requirements. Wiring color difference		
RED LION	CUB3T030	CUB7TCS0
Review size and mounting requirements. Wiring color difference		
RED LION	CUB3T100	CUB7TVS0 or CUB7TCS0 or CUB7TCS1
Review size and mounting requirements. Wiring color difference Inputs $\geq 50\text{VDC}$ or $\geq 50\text{VAC}$ select CUB7TVS0, time when input is high. Inputs $\leq 50\text{VAC}$ or $\geq 28\text{VDC}$ and $\leq 50\text{VDC}$ use CUB7TCS0, time when input is high, with VCM10000 Inputs $\leq 28\text{VDC}$ select CUB7TCS0 for time when input is low or CUB7CS1 for time when input is high.		
RED LION	CUB3T110	CUB7TVS0 or CUB7TCS0 or CUB7TCS1
Review size and mounting requirements. Wiring color difference Inputs $\geq 50\text{VDC}$ or $\geq 50\text{VAC}$ select CUB7TVS0, time when input is high. Inputs $\leq 50\text{VAC}$ or $\geq 28\text{VDC}$ and $\leq 50\text{VDC}$ use CUB7TCS0, time when input is high, with VCM10000 Inputs $\leq 28\text{VDC}$ select CUB7TCS0 for time when input is low or CUB7CS1 for time when input is high.		
RED LION	CUB3T120	CUB7TVS0 or CUB7TCS0 or CUB7TCS1
Review size and mounting requirements. Wiring color difference Inputs $\geq 50\text{VDC}$ or $\geq 50\text{VAC}$ select CUB7TVS0, time when input is high. Inputs $\leq 50\text{VAC}$ or $\geq 28\text{VDC}$ and $\leq 50\text{VDC}$ use CUB7TCS0, time when input is high, with VCM10000 Inputs $\leq 28\text{VDC}$ select CUB7TCS0 for time when input is low or CUB7CS1 for time when input is high.		
RED LION	CUB3T130	CUB7TVS0 or CUB7TCS0 or CUB7TCS1
Review size and mounting requirements. Wiring color difference Inputs $\geq 50\text{VDC}$ or $\geq 50\text{VAC}$ select CUB7TVS0, time when input is high. Inputs $\leq 50\text{VAC}$ or $\geq 28\text{VDC}$ and $\leq 50\text{VDC}$ use CUB7TCS0, time when input is high, with VCM10000 Inputs $\leq 28\text{VDC}$ select CUB7TCS0 for time when input is low or CUB7CS1 for time when input is high.		
RED LION	CUB3T200	CUB7TVS0
Review size and mounting requirements. Wiring color difference		
RED LION	CUB3T210	CUB7TVS0
Review size and mounting requirements. Wiring color difference		
RED LION	CUB3T220	CUB7TVS0
Review size and mounting requirements. Wiring color difference		
RED LION	CUB3T230	CUB7TVS0
Review size and mounting requirements. Wiring color difference		
RED LION	CUB3T300	CUB7TVS0 or CUB7TCS0 or CUB7TCS1
Review size and mounting requirements. Wiring color difference Inputs $\geq 50\text{VDC}$ or $\geq 50\text{VAC}$ select CUB7TVS0, time when input is high. Inputs $\leq 50\text{VAC}$ or $\geq 28\text{VDC}$ and $\leq 50\text{VDC}$ use CUB7TCS0, time when input is high, with VCM10000 Inputs $\leq 28\text{VDC}$ select CUB7TCS0 for time when input is low or CUB7CS1 for time when input is high.		

RED LION	CUB3TR10	CUB7TVS0 or CUB7TCS0 or CUB7TCS1
----------	----------	--------------------------------------------------

Review size and mounting requirements.

Wiring color difference

Inputs $\geq 50\text{VDC}$ or $\geq 50\text{VAC}$ select CUB7TVS0, time when input is high.

Inputs $\leq 50\text{VAC}$ or $\geq 28\text{VDC}$ and $\leq 50\text{VDC}$ use CUB7TCS0, time when input is high, with [VCM10000](#)

Inputs $\leq 28\text{VDC}$ select CUB7TCS0 for time when input is low or CUB7CS1 for time when input is high.

RED LION	CUB3TR11	CUB7TVS0 or CUB7TCS0 or CUB7TCS1
----------	----------	--------------------------------------------------

Review size and mounting requirements.

Wiring color difference

Inputs $\geq 50\text{VDC}$ or $\geq 50\text{VAC}$ select CUB7TVS0, time when input is high.

Inputs $\leq 50\text{VAC}$ or $\geq 28\text{VDC}$ and $\leq 50\text{VDC}$ use CUB7TCS0, time when input is high, with [VCM10000](#)

Inputs $\leq 28\text{VDC}$ select CUB7TCS0 for time when input is low or CUB7CS1 for time when input is high.

RED LION	CUB3TR12	CUB7TVS0 or CUB7TCS0 or CUB7TCS1
----------	----------	--------------------------------------------------

Review size and mounting requirements.

Wiring color difference

Inputs $\geq 50\text{VDC}$ or $\geq 50\text{VAC}$ select CUB7TVS0, time when input is high.

Inputs $\leq 50\text{VAC}$ or $\geq 28\text{VDC}$ and $\leq 50\text{VDC}$ use CUB7TCS0, time when input is high, with [VCM10000](#)

Inputs $\leq 28\text{VDC}$ select CUB7TCS0 for time when input is low or CUB7CS1 for time when input is high.

RED LION	CUB3TR13	CUB7TVS0 or CUB7TCS0 or CUB7TCS1
----------	----------	--------------------------------------------------

Review size and mounting requirements.

Wiring color difference

Inputs $\geq 50\text{VDC}$ or $\geq 50\text{VAC}$ select CUB7TVS0, time when input is high.

Inputs $\leq 50\text{VAC}$ or $\geq 28\text{VDC}$ and $\leq 50\text{VDC}$ use CUB7TCS0, time when input is high, with [VCM10000](#)

Inputs $\leq 28\text{VDC}$ select CUB7TCS0 for time when input is low or CUB7CS1 for time when input is high.

RED LION	CUB3TR20	CUB7TVS0
----------	----------	--------------------------

Verify all special features requirements.

Review size and mounting requirements.

Wiring color difference

RED LION	CUB3TR21	CUB7TVS0
----------	----------	--------------------------

Verify all special features requirements.

Review size and mounting requirements.

Wiring color difference

RED LION	CUB3TR22	CUB7TVS0
----------	----------	--------------------------

Verify all special features requirements.

Review size and mounting requirements.

Wiring color difference

RED LION	CUB3TR23	CUB7TVS0
----------	----------	--------------------------

Verify all special features requirements.

Review size and mounting requirements.

Wiring color difference