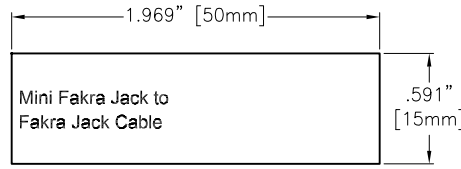
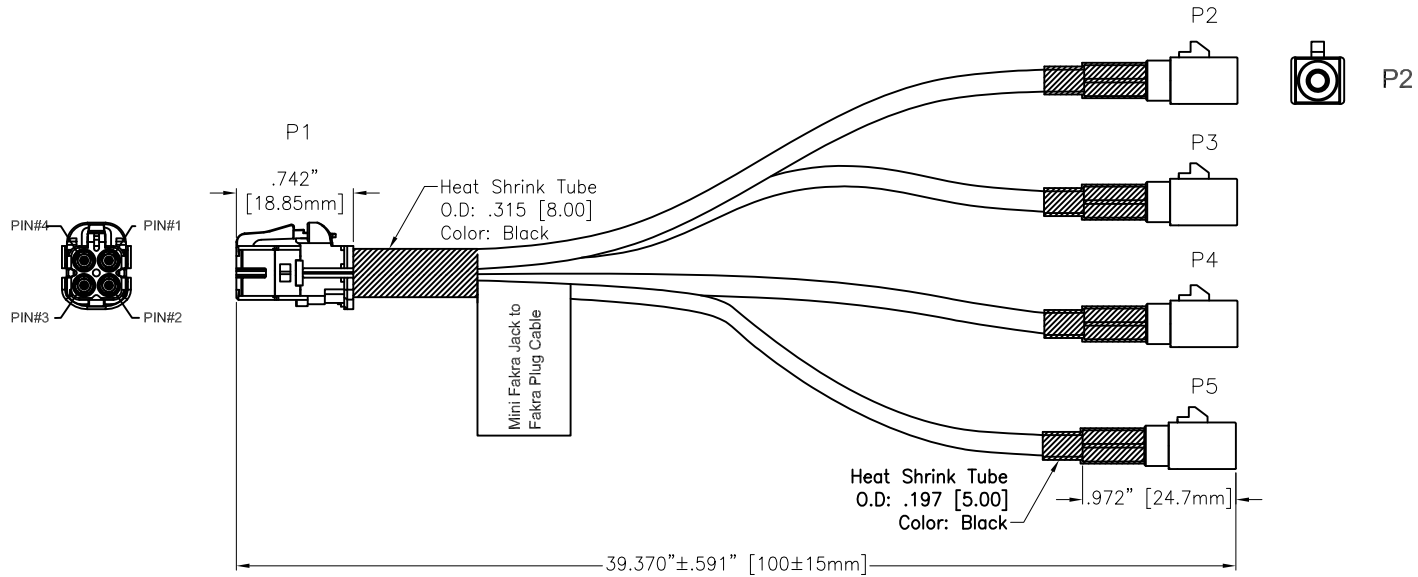


APPROVED: _____
 DATE: _____ TITLE: _____

Rev	AWO #	Description	Date	Appr
-		RELEASED	5/6/21	
A		ADDED PAGE 3	5/6/21	LH/RC



LABEL FOR CABLE

SPECIFICATIONS:

Connector:

P1= Mini FAKRA Code see Page2 , Jack, Straight, 30u" Gold Plated, UL94-V0

P2~P5= FAKRA Code see Page3, Plug, Straight, 30u" Gold Plated, UL94-V0

Cable:

Coaxial Cable+AL+Braid, O.D: .130" [3.3mm], Jacket Color: Black

Electrical:

Impedance: 50 Ohm

Temperature Rating:

-40°C to +105°C

Electrical Test:

All Assemblies must be 100% Tested for Shorts, Open, Continuity, and Physical Appearance.

Environmental:

Lead free, RoHS compliant



UNLESS OTHERWISE SPECIFIED ALL DIMENSIONS ARE INCHES [MM]. TOLERANCES: EXCEPT AS NOTED					909 Rahway Avenue, Union, NJ 07083																
					Phone: 908-687-5000 Fax: 908-687-5710																
<table border="1"> <thead> <tr> <th>INCHES</th> <th></th> <th>HOLES</th> </tr> </thead> <tbody> <tr> <td>.X</td> <td>±.10</td> <td>Ø.X</td> <td>±.10</td> </tr> <tr> <td>.XX</td> <td>±.020</td> <td>Ø.XX</td> <td>±.015</td> </tr> <tr> <td>.XXX</td> <td>±.015</td> <td>Ø.XXX</td> <td>±.010</td> </tr> </tbody> </table>			INCHES		HOLES	.X	±.10	Ø.X	±.10	.XX	±.020	Ø.XX	±.015	.XXX	±.015	Ø.XXX	±.010	TITLE		MINI FAKRA JACK STRAIGHT 2*2 TO FAKRA PLUG*4 STRAIGHT, OD 3.3 CABLE	
INCHES		HOLES																			
.X	±.10	Ø.X	±.10																		
.XX	±.020	Ø.XX	±.015																		
.XXX	±.015	Ø.XXX	±.010																		
DRAWN			LH	5/6/21																	
CHECKED			RC	5/6/21																	
APPROVED																					
THIS DRAWING CONTAINS INFORMATION THAT IS PROPRIETARY AND SHOULD NOT BE USED WITHOUT PRIOR WRITTEN PERMISSION FROM ADAM TECH																					
SIZE	PART NO.		REV.																		
X	CA-BM04XJ-4FPX-0.3		A																		
REF:	S00013T	SCALE:	NTS	SHEET 1 OF 3																	

6

5

4

3

2

1

6

5

4

3

2

1

6

5

4

3

2

1

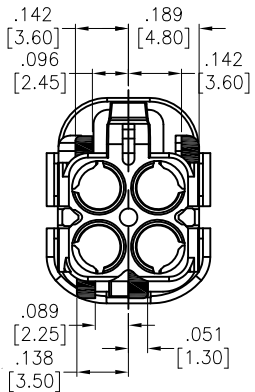
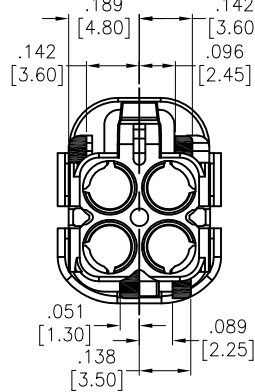
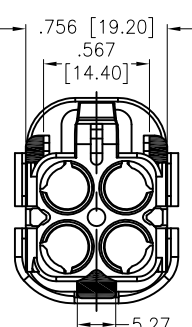
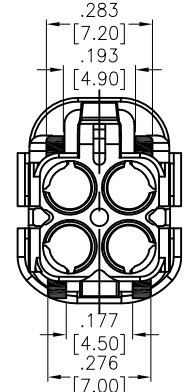
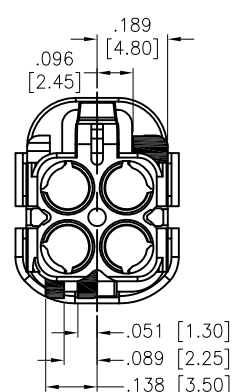
APPROVED: _____

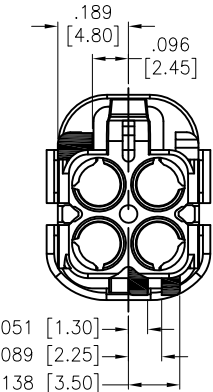
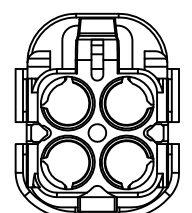
DATE: _____ TITLE: _____

Rev	AWO #	Description	Date	Appr
-----	-------	-------------	------	------

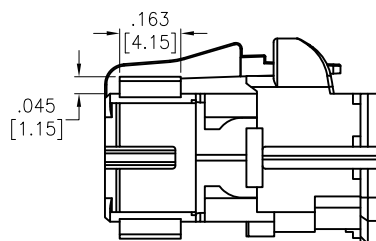
SEE SHT 1 OF 2 FOR REVISION

CA-BM04XJ-4FPX-0.3

CODING A	CODING B	CODING C	CODING D	CODING E
BLACK	PURE WHITE	LIGHT BLUE	CLARET VIOLET	MAY GREEN
				

CODING F	CODING Z
NUT BROWN	WATER BLUE
	

All Coding



UNLESS OTHERWISE SPECIFIED ALL DIMENSIONS ARE INCHES [MM]. TOLERANCES: EXCEPT AS NOTED

INCHES		HOLES	
.X	±.10	∅.X	±.10
.XX	±.020	∅.XX	±.015
.XXX	±.015	∅.XXX	±.010

ADAM TECH

909 Rahway Avenue,
Union, NJ 07083
Phone: 908-687-5000
Fax: 908-687-5710

DRAWN	LH	5/6/21
CHECKED	RC	5/6/21
APPROVED		

TITLE
MINI FAKRA JACK STRAIGHT 2*2
TO FAKRA PLUG*4 STRAIGHT, OD 3.3 CABLE

THIS DRAWING CONTAINS INFORMATION THAT IS PROPRIETARY AND SHOULD NOT BE USED WITHOUT PRIOR WRITTEN PERMISSION FROM ADAM TECH

SIZE X	PART NO. CA-BM04XJ-4FPX-0.3	REV. A
REF: S00013T	SCALE: NTS	SHEET 2 OF 3

6

5

4

3

2

1

6

5

4

3

2

1

APPROVED: _____

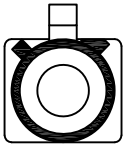
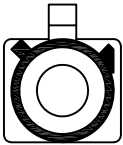
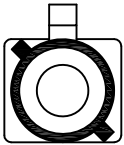
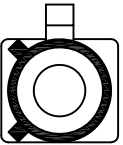
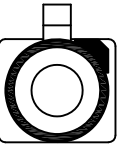
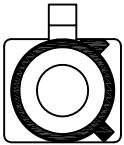
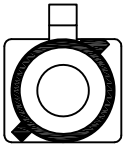
DATE: _____ TITLE: _____

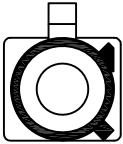
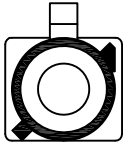
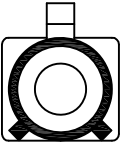
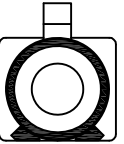
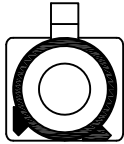
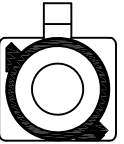
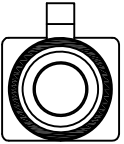
Rev	AWO #	Description	Date	Appr
-----	-------	-------------	------	------

SEE SHT 1 OF 2 FOR REVISION

CA-BM04XJ-4FPX-0.3

Fakra Plug

Coding	A	B	C	D	E	F	G
Plug							
Color	Black	White	Blue	Bordeaux Violet	Green	Brown	Grey

Coding	H	I	K	L	M	N	Z
Plug							
Color	Violet	Beige	Curry	Camine Red	Pastel Orange	Pastel Green	Water Blue

UNLESS OTHERWISE SPECIFIED ALL DIMENSIONS ARE INCHES [MM]. TOLERANCES: EXCEPT AS NOTED

INCHES		HOLES	
.X	±.10	Ø.X	±.10
.XX	±.020	Ø.XX	±.015
.XXX	±.015	Ø.XXX	±.010

ADAM TECH

909 Rahway Avenue,
Union, NJ 07083
Phone: 908-687-5000
Fax: 908-687-5710

DRAWN	LH	5/6/21
CHECKED	RC	5/6/21
APPROVED		

TITLE
MINI FAKRA JACK STRAIGHT 2*2
TO FAKRA PLUG*4 STRAIGHT, OD 3.3 CABLE

THIS DRAWING CONTAINS INFORMATION THAT IS PROPRIETARY AND SHOULD NOT BE USED WITHOUT PRIOR WRITTEN PERMISSION FROM ADAM TECH

SIZE X	PART NO. CA-BM04XJ-4FPX-0.3	REV. A
REF: S00013T	SCALE: NTS	SHEET 3 OF 3

6

5

4

3

2

1