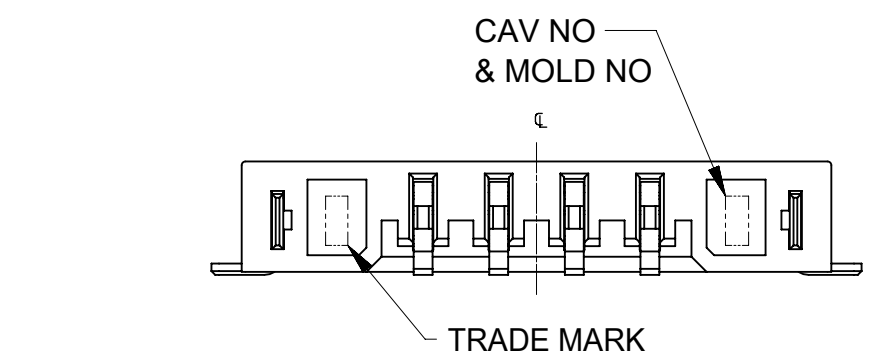


NOTES

- ① 偶数極の製品に適用
APPLY TO EVEN CIRCUIT PRODUCTS.
- ② 適用製品及び各種仕様書はSHEET 4を参照のこと
REFER TO SHEET 4 ABOUT APPLICABLE PRODUCTS AND VARIOUS SPECIFICATIONS
- ③ ELV及びRoHS適合品
ELV AND RoHS COMPLIANT.
- ④ パターン禁止エリア
PATTERN PROHIBITION AREA
- ⑤ ソルダーテールとネイルの平坦度 : 0.1 mmMAX
SOLDER TAIL AND FITTING NAIL COPLANARITY : 0.1 mmMAX



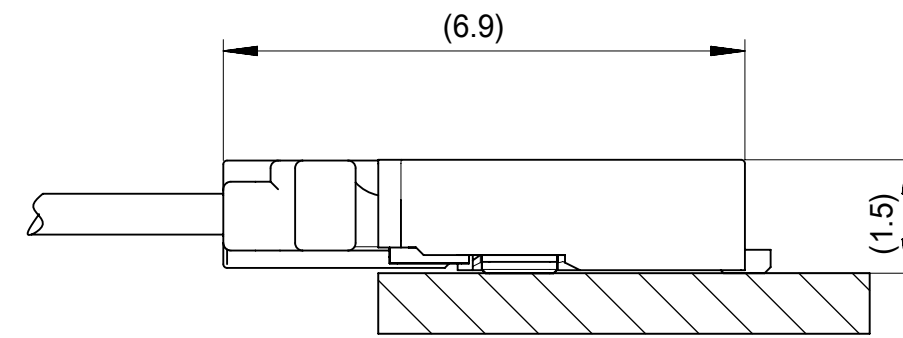
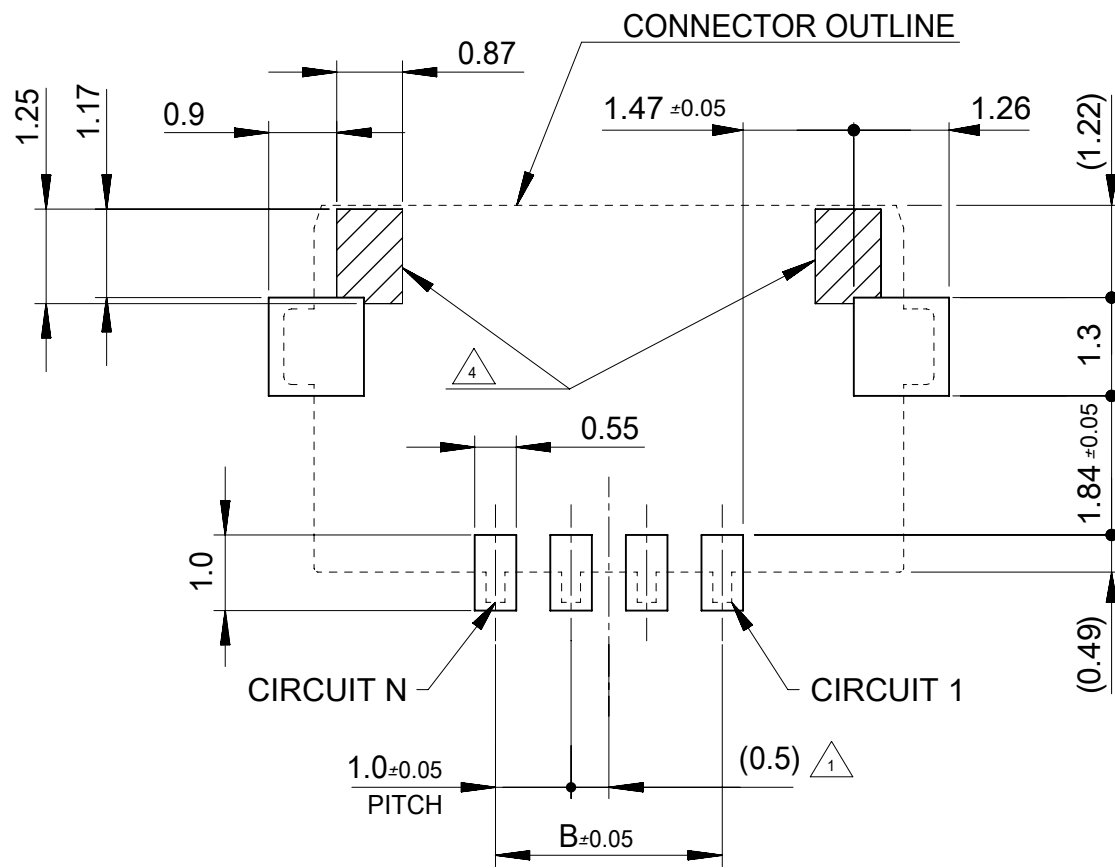
③ TABLE 1

部品 PART	材質 MATERIAL
① ハウジング HOUSING	ポリアミド(PA), UL94V-0, 色 : 黒 POLYAMIDE(PA), UL94V-0, COLOR : BLACK
② ターミナル TERMINAL	銅合金 COPPER ALLOY
	コンタクト部 : 金めっき 0.1 micro-meters MIN CONTACT AREA: GOLD PLATING 0.1 micro-meters MIN はんだ付け部 : 金めっき TAIL AREA: GOLD PLATING
	ニッケルめっき(下地) 1.0 micro-meter MIN NICKEL PLATING (UNDER PLATING) 1.0 micro-meter MIN
③ ネイル NAIL	黄銅 BRASS
	錫めっき 1.0 micro-meter MIN MATTE TIN PLATING 1.0 micro-meter MIN
	ニッケルめっき(下地) 1.0 micro-meter MIN NICKEL PLATING (UNDER PLATING) 1.0 micro-meter MIN

5.0	9.8	6
4.0	8.8	5
3.0	7.8	4
2.0	6.8	3
1.0	5.8	2
B	A	CIRCUIT

THIS DRAWING CONTAINS INFORMATION THAT IS PROPRIETARY TO MOLEX ELECTRONIC TECHNOLOGIES, LLC AND SHOULD NOT BE USED WITHOUT WRITTEN PERMISSION

DIMENSION UNITS	SCALE	CURRENT REV DESC:	molex		
mm	NTS				
GENERAL TOLERANCES (UNLESS SPECIFIED)			PICO-LOCK1.0 HDRASSY SINGLE-ROW R/A PRODUCT CUSTOMER DRAWING		
ANGULAR TOL ± 3.0°					
4 PLACES	± 0.2	EC NO: 642004			
3 PLACES	± 0.2	DRWN: QHE31 2020/07/22			
2 PLACES	± 0.2	CHK'D: SAKIYAMA 2020/07/27			
1 PLACE	± 0.2	APPR: KOMURAKAMI 2020/07/29			
0 PLACES	± 0.2	INITIAL REVISION:	DOCUMENT NUMBER		
DRAFT WHERE APPLICABLE MUST REMAIN WITHIN DIMENSIONS			5037630000-SD		
THIRD ANGLE PROJECTION			DOC TYPE DOC PART REVISION		
DRAWING			PSD 000 B		
SERIES			MATERIAL NUMBER		
A3-SIZE			CUSTOMER		
503763			SEE CHART OF SHEET 1		
SHEET NUMBER			1 OF 4		

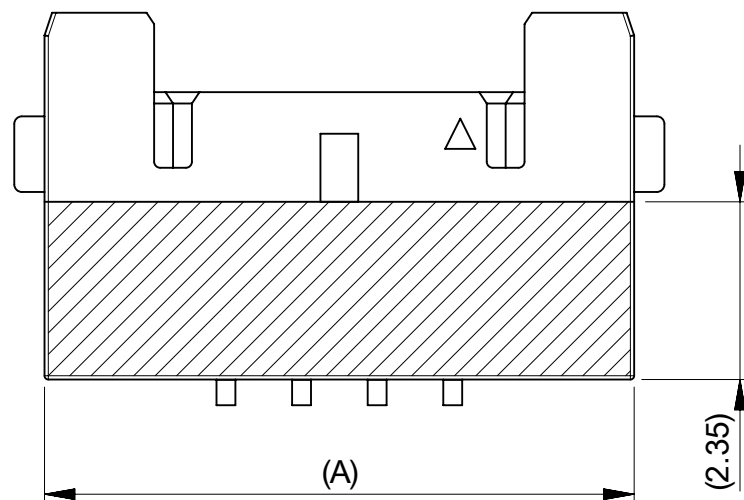


MATED CONNECTORS

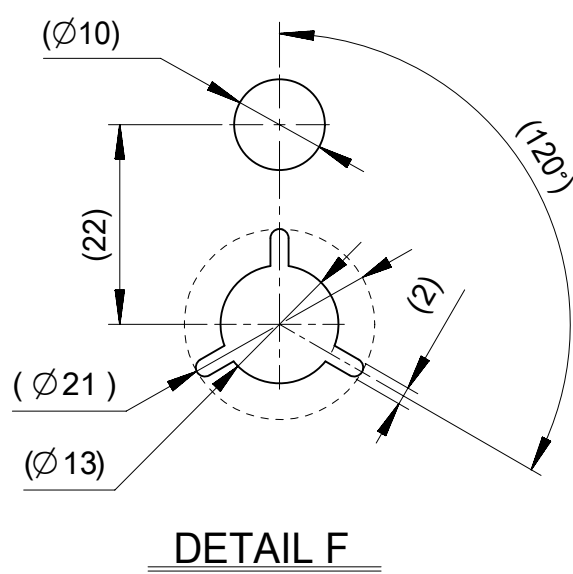
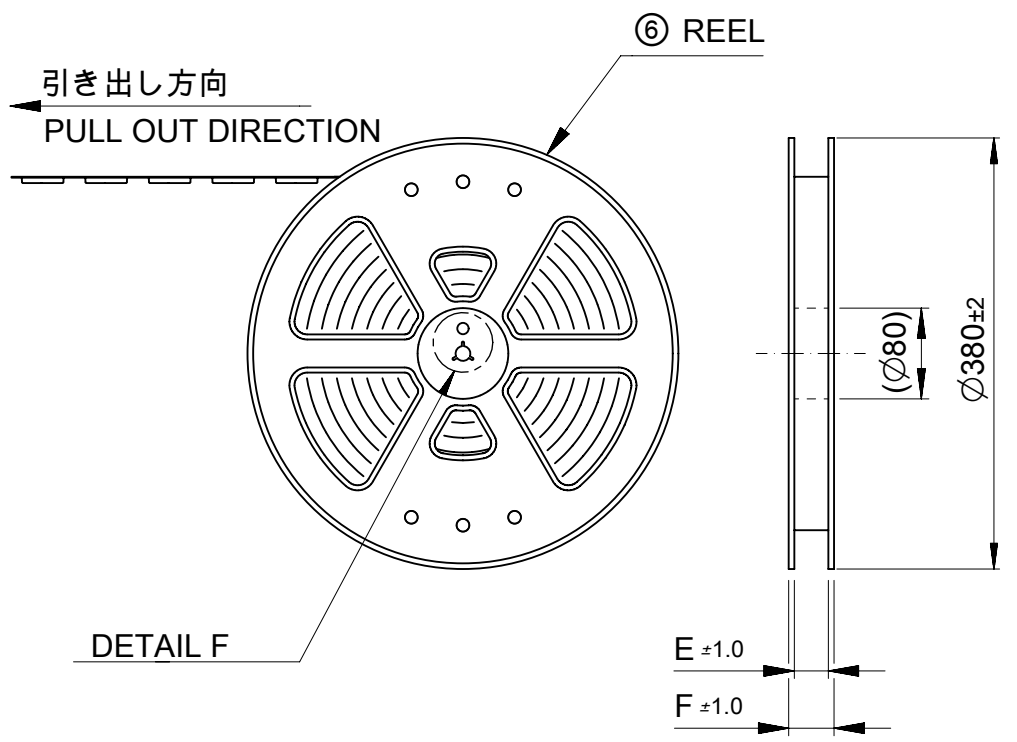
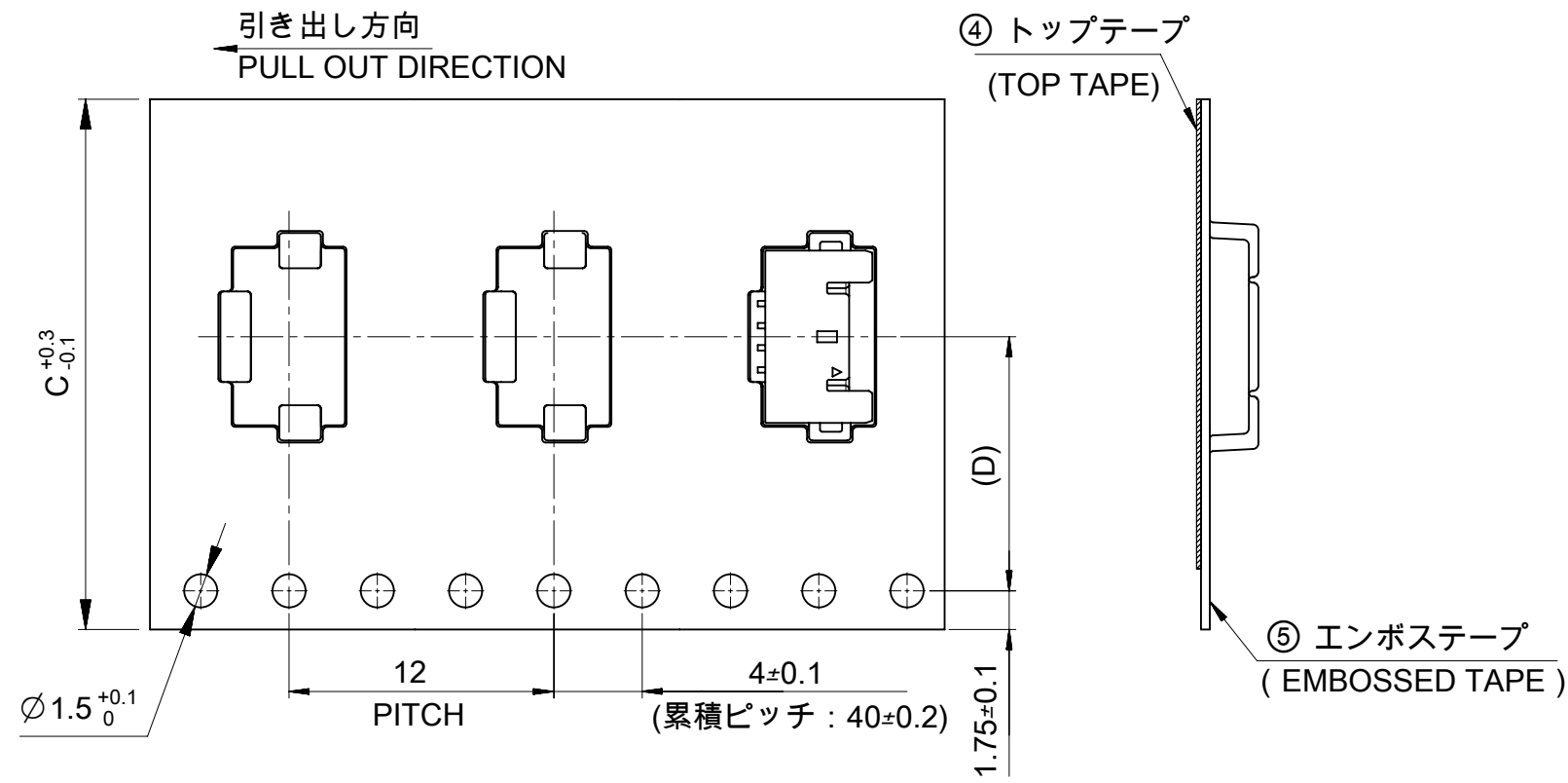
RECOMMENDED PATTERN LAYOUT (REF)

推奨メタルマスク厚さ:0.1mm、開口率:100%
 RECOMMEND METAL STENCIL THICKNESS: 0.1mm, APERTURE RATIO: 100%

吸着エリア
 PICK-UP AREA



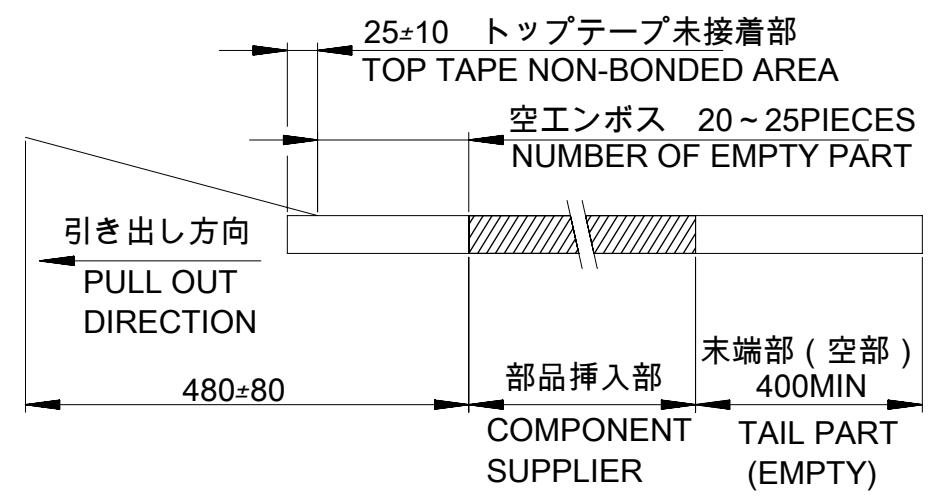
THIS DRAWING CONTAINS INFORMATION THAT IS PROPRIETARY TO MOLEX ELECTRONIC TECHNOLOGIES, LLC AND SHOULD NOT BE USED WITHOUT WRITTEN PERMISSION		CURRENT REV DESC:		molex	
DIMENSION UNITS	SCALE				
mm	NTS			PICO-LOCK1.0 HDRASSY SINGLE-ROW R/A	
GENERAL TOLERANCES (UNLESS SPECIFIED)				PRODUCT CUSTOMER DRAWING	
ANGULAR TOL	± 3.0 °			DOCUMENT NUMBER	
4 PLACES	± 0.2	EC NO: 642004		5037630000-SD	
3 PLACES	± 0.2	DRWN: QHE31	2020/07/22	DOC TYPE	DOC PART
2 PLACES	± 0.2	CHK'D: SAKIYAMA	2020/07/27	PSD	000
1 PLACE	± 0.2	APPR: KOMURAKAMI	2020/07/29	REVISION	B
0 PLACES	± 0.2	INITIAL REVISION:		MATERIAL NUMBER	
DRAFT WHERE APPLICABLE MUST REMAIN WITHIN DIMENSIONS		DRWN: QHE31	2018/03/14	CUSTOMER	
THIRD ANGLE PROJECTION		APPR: KOMURAKAMI	2020/07/07	SHEET NUMBER	
DRAWING		SERIES	503763	2 OF 4	
A3-SIZE					



NOTES

1. 梱包数量: 3,000個/リール
NUMBER OF CONNECTORS : 3,000 PIECES/REEL

2. リードテープ長さ
LEAD TAPE LENGTH



3. トップテープの剥離強度IEC60286-3に準拠。
TOP TAPE PEEL FORCE IS DEFINED BY IEC60286-3

4. 材料
MATERIALS

部品 PART	材質 MATERIAL
④ エンボステープ EMBOSSED TAPE	ポリスチレン(PS) POLYSTYRENE(PS)
⑤ トップテープ TOP TAPE	ポリエチレン(PE)、ポリエチレンテレフタレート(PET) POLYETHYLENE(PE), POLYETHYLENE TEREPHTHALATE(PET)
⑥ リール REEL	ポリスチレン(PS) <リサイクル材を含む> POLYSTYRENE(PS) <RECYCLE MATERIAL CONTAINED>

29.4	25.4	11.5	24	5037630691	6
				5037630591	5
				5037630491	4
21.4	17.4	7.5	16	5037630391	3
				5037630291	2
F	E	D	C	EMBOSSED PACKAGE	CIRCUIT
WIDTH OF TAPE				ORDER NO.	

THIS DRAWING CONTAINS INFORMATION THAT IS PROPRIETARY TO MOLEX ELECTRONIC TECHNOLOGIES, LLC AND SHOULD NOT BE USED WITHOUT WRITTEN PERMISSION

DIMENSION UNITS mm	SCALE NTS	CURRENT REV DESC:		molex		
GENERAL TOLERANCES (UNLESS SPECIFIED)		EC NO: 642004				
ANGULAR TOL	± 3.0 °	DRWN: QHE31 2020/07/22		PRODUCT CUSTOMER DRAWING		
4 PLACES	± 0.2	CHK'D: SAKIYAMA 2020/07/27		DOCUMENT NUMBER		
3 PLACES	± 0.2	APPR: KOMURAKAMI 2020/07/29		5037630000-SD		
2 PLACES	± 0.2	INITIAL REVISION:		DOC TYPE	DOC PART	REVISION
1 PLACE	± 0.2	DRWN: QHE31 2018/03/14		PSD	000	B
0 PLACES	± 0.2	APPR: KOMURAKAMI 2020/07/07		SHEET NUMBER		
DRAFT WHERE APPLICABLE MUST REMAIN WITHIN DIMENSIONS		THIRD ANGLE PROJECTION	DRAWING	SERIES	MATERIAL NUMBER	CUSTOMER
			A3-SIZE	503763	SEE CHART OF SHEET 1	3 OF 4

△ 適用製品及び各種仕様書
 APPLICABLE PRODUCTS AND VARIOUS SPECIFICATIONS

梱包仕様書 PACKAGING SPECIFICATION	PART NUMBER 503763****	DOCUMENT NUMBER SPK-503763-001
----------------------------------	---------------------------	-----------------------------------

適合嵌合相手 MATE WITH	HOUSING	CRIMP TERMINAL (GOLD PLATING)
製品番号 PRODUCT NUMBER	503764****	#28 - #30 5037650098
製品仕様書 PRODUCT SPECIFICATION	PS-503764-001	
アプリケーション仕様書 APPLICATION SPECIFICATION	AS-503764-001	

THIS DRAWING CONTAINS INFORMATION THAT IS PROPRIETARY TO MOLEX ELECTRONIC TECHNOLOGIES, LLC AND SHOULD NOT BE USED WITHOUT WRITTEN PERMISSION										
DIMENSION UNITS	SCALE	CURRENT REV DESC:				molex				
mm	NTS					PICO-LOCK1.0 HDRASSY SINGLE-ROW R/A				
GENERAL TOLERANCES (UNLESS SPECIFIED)		EC NO: 642004 DRWN: QHE31 2020/07/22 CHK'D: SAKIYAMA 2020/07/27 APPR: KOMURAKAMI 2020/07/29 INITIAL REVISION: DRWN: QHE31 2018/03/14 APPR: KOMURAKAMI 2020/07/07				PRODUCT CUSTOMER DRAWING				
ANGULAR TOL	± 3.0 °					DOCUMENT NUMBER		DOC TYPE	DOC PART	REVISION
4 PLACES	± 0.2					5037630000-SD		PSD	000	B
3 PLACES	± 0.2									
2 PLACES	± 0.2									
1 PLACE	± 0.2									
0 PLACES	± 0.2									
DRAFT WHERE APPLICABLE MUST REMAIN WITHIN DIMENSIONS		THIRD ANGLE PROJECTION	DRAWING	SERIES	MATERIAL NUMBER	CUSTOMER	SHEET NUMBER			
			A3-SIZE	503763			4 OF 4			

DOCUMENT STATUS	P1	RELEASE DATE	2020/07/29	03:01:55
-----------------	----	--------------	------------	----------