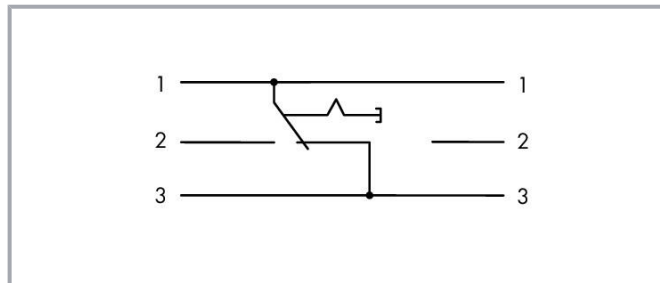


Data sheet | Item number: 286-895

Switching module; with changeover rocker switch; Switching voltage: 250 VAC; Switching current: 6 A; gray

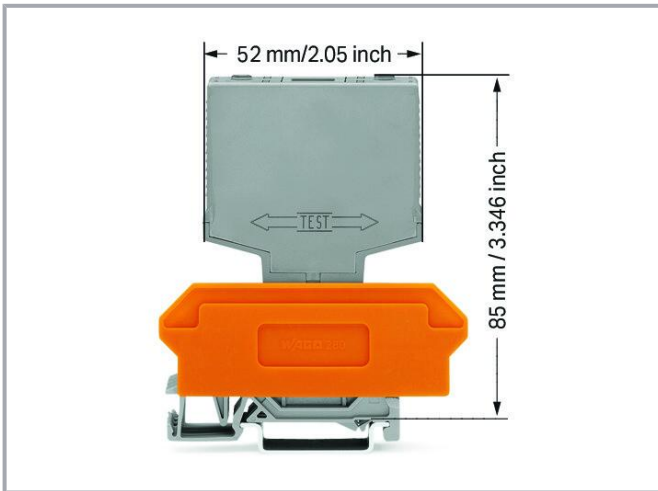
[www.wago.com/286-895](http://www.wago.com/286-895)



Subject to changes. Please also observe the further product documentation!

WAGO GmbH & Co. KG  
Hansastr. 27  
32423 Minden  
Phone: +49571 887-0 | Fax: +49571 887-169  
Email: [info.de@wago.com](mailto:info.de@wago.com) | Web: [www.wago.com](http://www.wago.com)

Do you have any questions about our products?  
We are always happy to take your call at +49 (571) 887-44222.



## Data

### Electrical data

Switching current (resistive) max.	6 A
Switching voltage (max.)	AC 250 V; DC 24 V
Electrical life (NO; resistive load; 23 °C)	50 x 10 <sup>3</sup> switching operations

### Physical data

Width	15 mm / 0.591 inches
Height from upper-edge of DIN-rail	85 mm / 3.346 inches
Depth	52 mm / 2.047 inches

### Mechanical Data

Mounting type	Pluggable module for receptacle terminal blocks
Housing design	Plug for carrier terminal blocks

### Material Data

Color	gray
Fire load	4.165 MJ
Weight	20.5 g

### Environmental requirements

Ambient temperature (operation)	-20 ... +40 °C
Relative humidity	5 ... 85 % (no condensation permissible)

Subject to changes. Please also observe the further product documentation!

Operating altitude (max.)	2000 m
---------------------------	--------

### Commercial data


Product Group	6 (INTERFACE ELECTRONIC)
eCl@ss 10.0	27-37-16-01
eCl@ss 9.0	27-37-16-01
ETIM 8.0	EC001437
ETIM 7.0	EC001437
PU (SPU)	15 (1) pcs
Packaging type	box
Country of origin	DE
GTIN	4045454399801
Customs tariff number	85365080900

### Environmental Product Compliance

RoHS Compliance Status	Compliant, No Exemption
------------------------	-------------------------

### Approvals / Certificates

#### General approvals

Logo	Approval	Additional Approval Text	Certificate name
	EAC Brjansker Zertifizierungsstelle	TP TC 004/2011	EAC RU C-DE.AM02.B.00122/19

### Optional accessories

#### Terminal blocks

Terminal block for pluggable modules



**Item no.: 280-619**

Terminal block for pluggable modules; 6-pole; with 2-conductor terminal blocks; with orange separator; [www.wago.com/280-619](http://www.wago.com/280-619) for DIN-rail 35 x 15 and 35 x 7.5; 2.5 mm<sup>2</sup>; CAGE CLAMP®; 2,50 mm<sup>2</sup>; gray



**Item no.: 280-609**

Terminal block for pluggable modules; 6-pole; with 4-conductor terminal blocks; with orange separator; [www.wago.com/280-609](http://www.wago.com/280-609) for DIN-rail 35 x 15 and 35 x 7.5; 2.5 mm<sup>2</sup>; CAGE CLAMP®; 2,50 mm<sup>2</sup>; gray



**Item no.: 280-763**

Terminal block for pluggable modules; 6-pole; with 4-conductor terminal blocks; with marker carrier; [www.wago.com/280-763](http://www.wago.com/280-763) with orange separator; for DIN-rail 35 x 15 and 35 x 7.5; 2.5 mm<sup>2</sup>; CAGE CLAMP®; 2,50 mm<sup>2</sup>; gray

Subject to changes. Please also observe the further product documentation!

WAGO GmbH & Co. KG

Hansastr. 27

32423 Minden

Phone: +49571 887-0 | Fax: +49571 887-169

Email: [info.de@wago.com](mailto:info.de@wago.com) | Web: [www.wago.com](http://www.wago.com)

Do you have any questions about our products?

We are always happy to take your call at +49 (571) 887-44222.

## Marking accessories

### Marker



Item no.: 209-701

WSB marking card; as card; not stretchable; plain; snap-on type; white

[www.wago.com/209-701](http://www.wago.com/209-701)

## Downloads

### Documentation

#### Bid Text

286-895 X81 - Datei	2019 Feb 19	xml 3.1 kB	Download
------------------------	-------------	---------------	----------

286-895 doc - Datei	2015 Apr 1	doc 24.6 kB	Download
------------------------	------------	----------------	----------

#### Instruction Leaflet

		pdf 1.3 MB	Download
--	--	---------------	----------

#### Additional Information

Disposal and Recycling Electrical and electronic equipment, Batteries, Packaging	V 1.1.0 2022 Aug 18	pdf 2.2 MB	Download
---	------------------------	---------------	----------

## CAD/CAE-Data

### CAD data

2D/3D Models 286-895		URL	Download
----------------------	--	-----	----------

### CAE data

WSCAD Universe 286-895		URL	Download
------------------------	--	-----	----------

ZUKEN Portal 286-895		URL	Download
----------------------	--	-----	----------

## Environmental Product Compliance

### Compliance Search

Environmental Product Compliance 286-895		URL	Download
--	--	-----	----------

Subject to changes. Please also observe the further product documentation!

Data sheet | Item number: 286-895

[www.wago.com/286-895](http://www.wago.com/286-895)



Switching module; with changeover rocker switch; Switching voltage: 250 VAC;  
Switching current: 6 A; gray

---

## Installation Notes

Subject to changes. Please also observe the further product documentation!

---

WAGO GmbH & Co. KG  
Hansastr. 27  
32423 Minden  
Phone: +49571 887-0 | Fax: +49571 887-169  
Email: [info.de@wago.com](mailto:info.de@wago.com) | Web: [www.wago.com](http://www.wago.com)

Do you have any questions about our products?  
We are always happy to take your call at +49 (571) 887-44222.