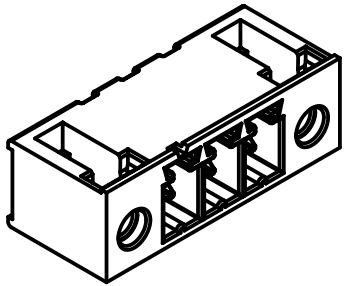
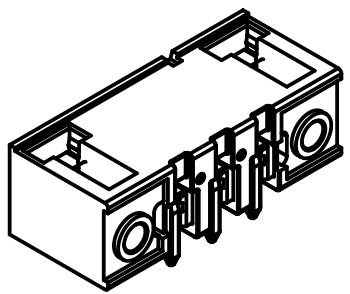
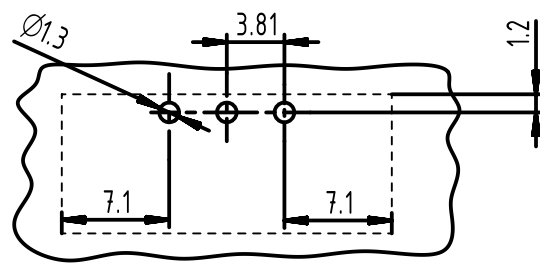
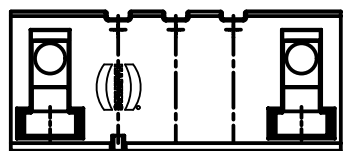
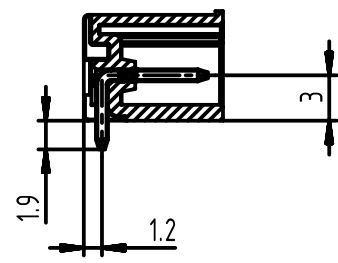
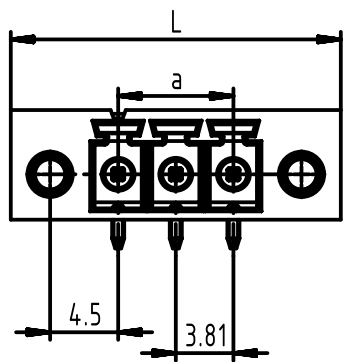
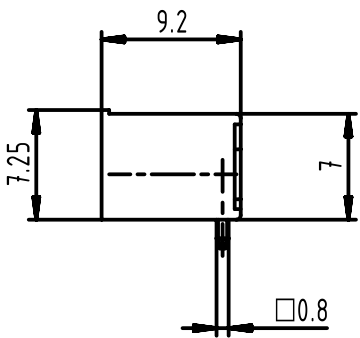


1 2 3 4 5 6

A
B
C
D



Part Number	Poles	Dim. a	Dim. L
14120215006000	2	3.81	18.01
14120315006000	3	7.62	21.82
14120415006000	4	11.43	25.63
14120515006000	5	15.24	29.44
14120615006000	6	19.05	33.25
14120715006000	7	22.86	37.06
14120815006000	8	26.67	40.87
14120915006000	9	30.48	44.68
14121015006000	10	34.29	48.49
14121115006000	11	38.10	52.30
14121215006000	12	41.91	56.11
14121315006000	13	45.72	59.92
14121415006000	14	49.53	63.73
14121515006000	15	53.34	67.54
14121615006000	16	57.15	71.35
14121715006000	17	60.96	75.16
14121815006000	18	64.77	78.97
14121915006000	19	68.58	82.78
14122015006000	20	72.39	86.59
14122115006000	21	76.20	90.40
14122215006000	22	80.01	94.21

further information see DS 14121300201

	All rights reserved Department EC PD - DE	All Dimensions in mm Original Size DIN A4		Scale 2:1	Free size tol.	Ref. Sub. 1412XX15006000 / 500000087420 / 2015-04-02	
		Created by HAGEMEYERE	Inspected by TADJE	Standardisation HOFFMANN	Date 2015-06-15	State Final Release	
HARTING Electronics GmbH D-32339 Espelkamp		Title har-flexicon 3.81 MTH-XX TBXXX BK SL				Doc-Key / ECM-Nr. 100618478/UGD/000/B 500000090237	
		Type TB	Number 1412XX15006000			Rev. B	Page 1/1