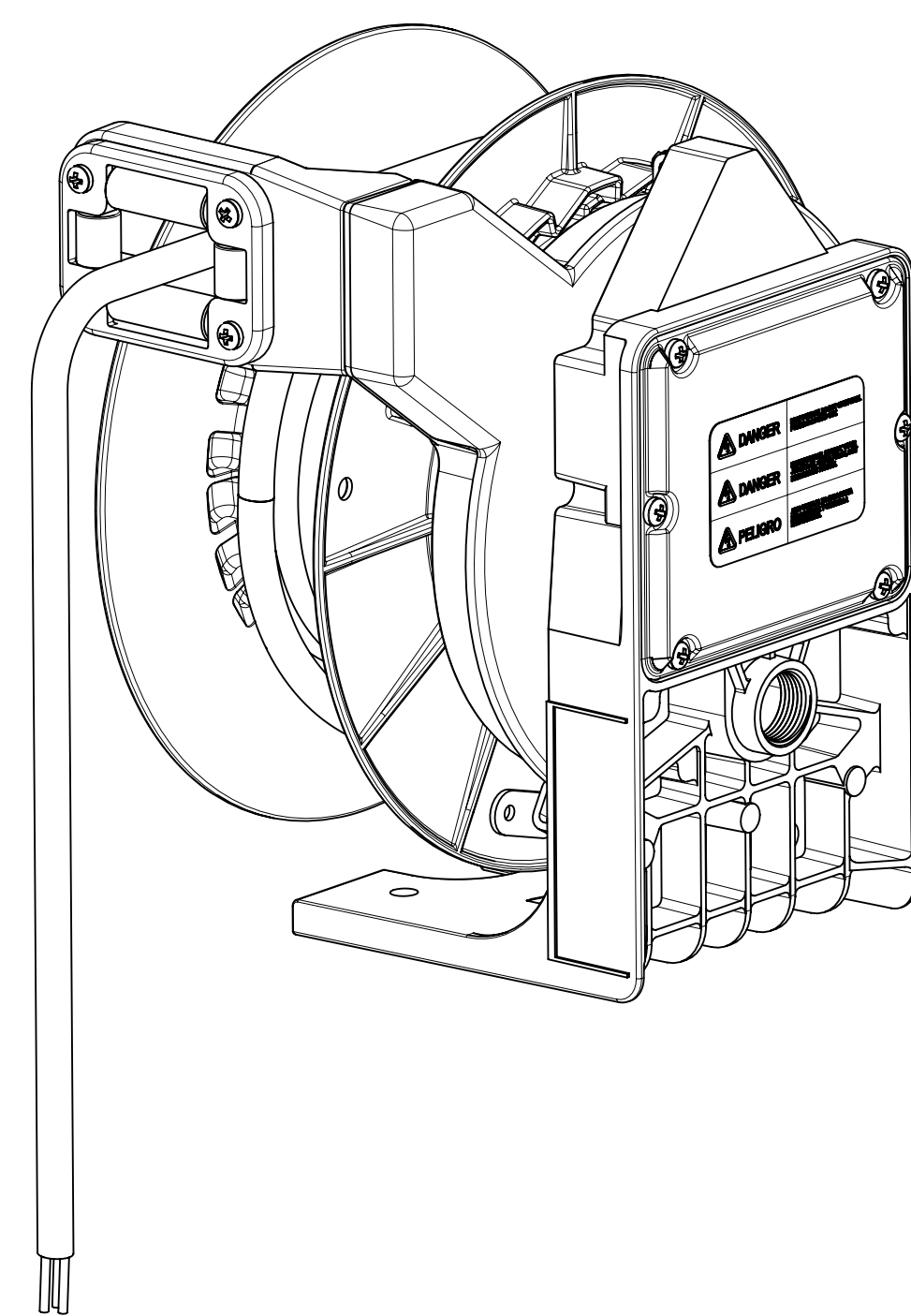
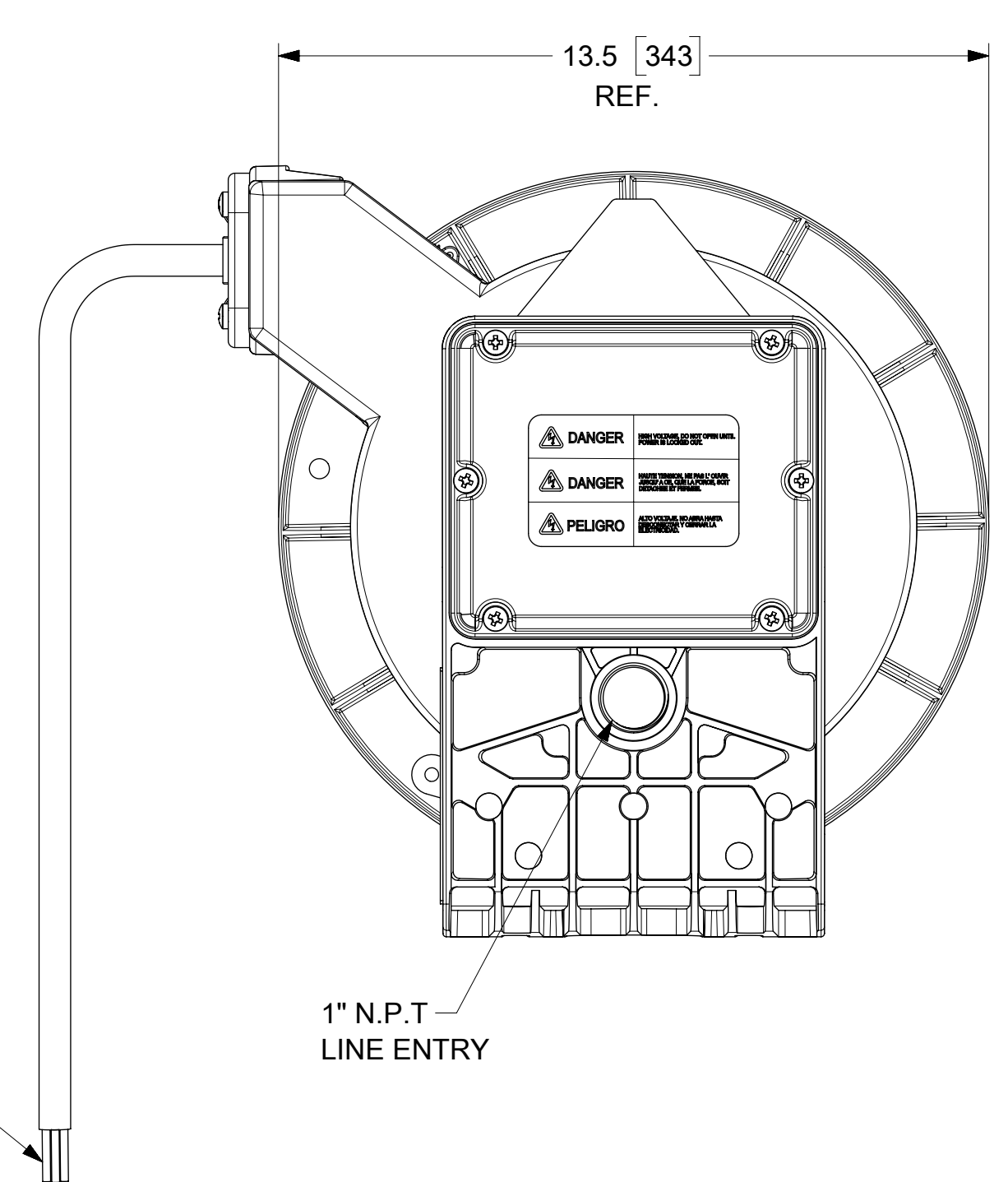
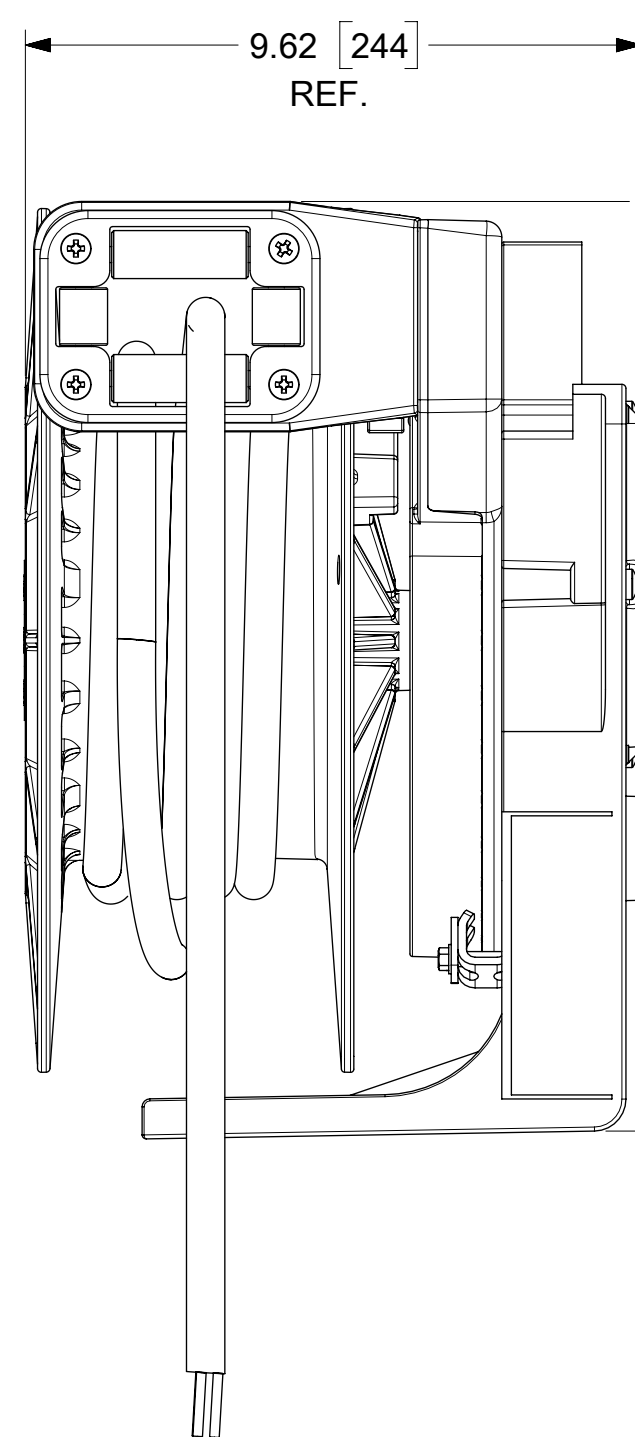
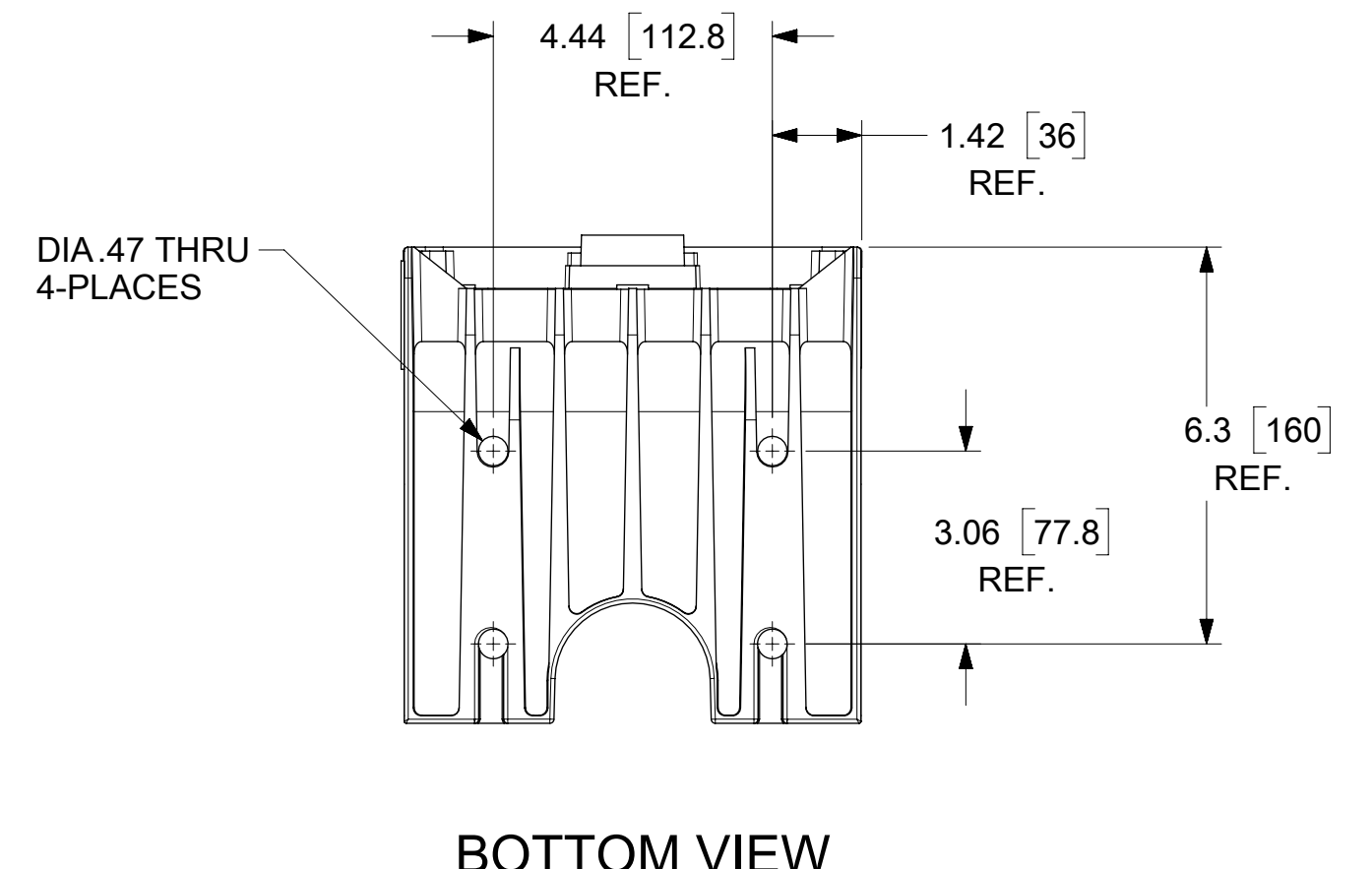


ORDER NO	130083-0264
WOODHEAD ENG. NO	9383
WIRE GAUGE	12
CONDUCTORS	3
AMPERAGE	18A
WORKING CORD	25 FT, YELLOW
CORD TYPE	SOOW
CONSTRUCTION	HEAVY WALL CAST ALUMINUM
PAINT	YELLOW POWDER COAT
REEL ENCLOSURE RATING	NEMA 4 INDOOR / OUTDOOR
RETRACTION WEIGHT	4.0 LB [1.8 KG]



FLYING LEAD



- NOTES:**
- CABLE GUIDE IS ADJUSTABLE EVERY 5 DEGREES OVER 270 DEGREE ARC.
  - RATCHET LOCK IS EASY TO DISENGAGE FOR CONSTANT TENSION.
  - REEL CANNOT BE "LOCKED OUT" AT FULL EXTENSION.
  - BALL STOP IS OPTIONAL: ORDER No. 130226-4374 / WOODHEAD ENG. No. 9521

FUNCTIONAL SYMBOLS	THIS DRAWING CONTAINS INFORMATION THAT IS PROPRIETARY TO MOLEX ELECTRONIC TECHNOLOGIES, LLC AND SHOULD NOT BE USED WITHOUT WRITTEN PERMISSION			
	DIMENSION UNITS	SCALE		CURRENT REV DESC: RELEASE CUSTOMER DRAWING
$\frac{F}{A} = 0$	INCH/MM	NTS		<p>EC NO: 674791</p> <p>DRWN: VHANDI 2020/07/14</p> <p>CHK'D: DSOPPIN 2022/06/01</p> <p>APPR: HKNEELAND 2022/06/03</p> <p>INITIAL REVISION:</p> <p>DRWN: MCHOJECK 2011/07/18</p> <p>APPR: DTITUS 2011/09/02</p>
$\frac{F}{C} = 0$	GENERAL TOLERANCES (UNLESS SPECIFIED)			
$\frac{F}{D} = 0$		MM	INCH	
DIVISIONAL SYMBOLS	4 PLACES	±	±	
	3 PLACES	±	± 0.005	
	2 PLACES	± 0.13	± 0.01	
	1 PLACE	± 0.25	± 0.02	
	0 PLACES	±	±	
	ANGULAR TOL	± 0.5°		
	DRAFT WHERE APPLICABLE MUST REMAIN WITHIN DIMENSIONS	THIRD ANGLE PROJECTION	DRAWING C-SIZE	SERIES 130083
DOCUMENT STATUS	P1	RELEASE DATE	2022/06/03 14:26:15	<p><b>molex</b></p> <p>CABLE REEL - INDUSTRIAL DUTY 25', #12-3, SOOW CORD</p> <p>PRODUCT CUSTOMER DRAWING</p> <p>DOCUMENT NUMBER: <b>SD-130083-035</b></p> <p>DOC TYPE: PSD</p> <p>DOC PART: 001</p> <p>REVISION: <b>A1</b></p> <p>MATERIAL NUMBER: SEE TABLE</p> <p>CUSTOMER: GENERAL MARKET</p> <p>SHEET NUMBER: 1 OF 1</p>