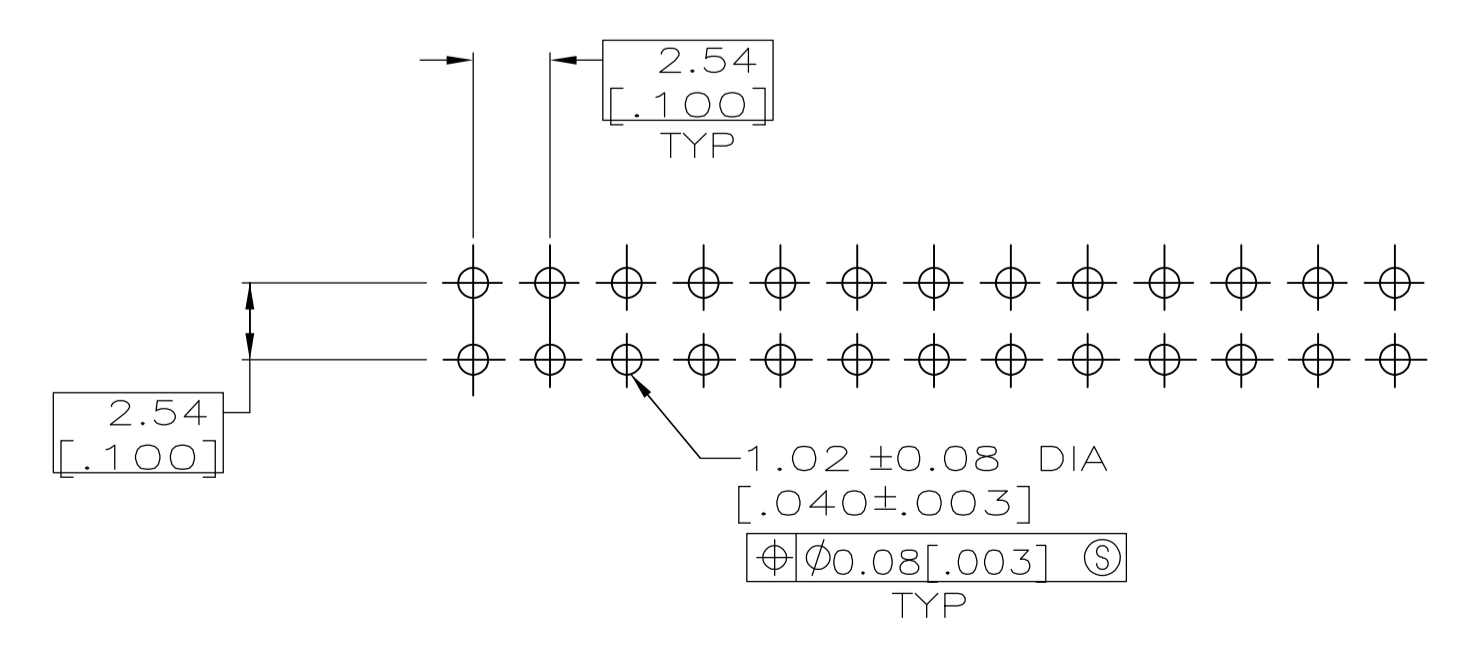
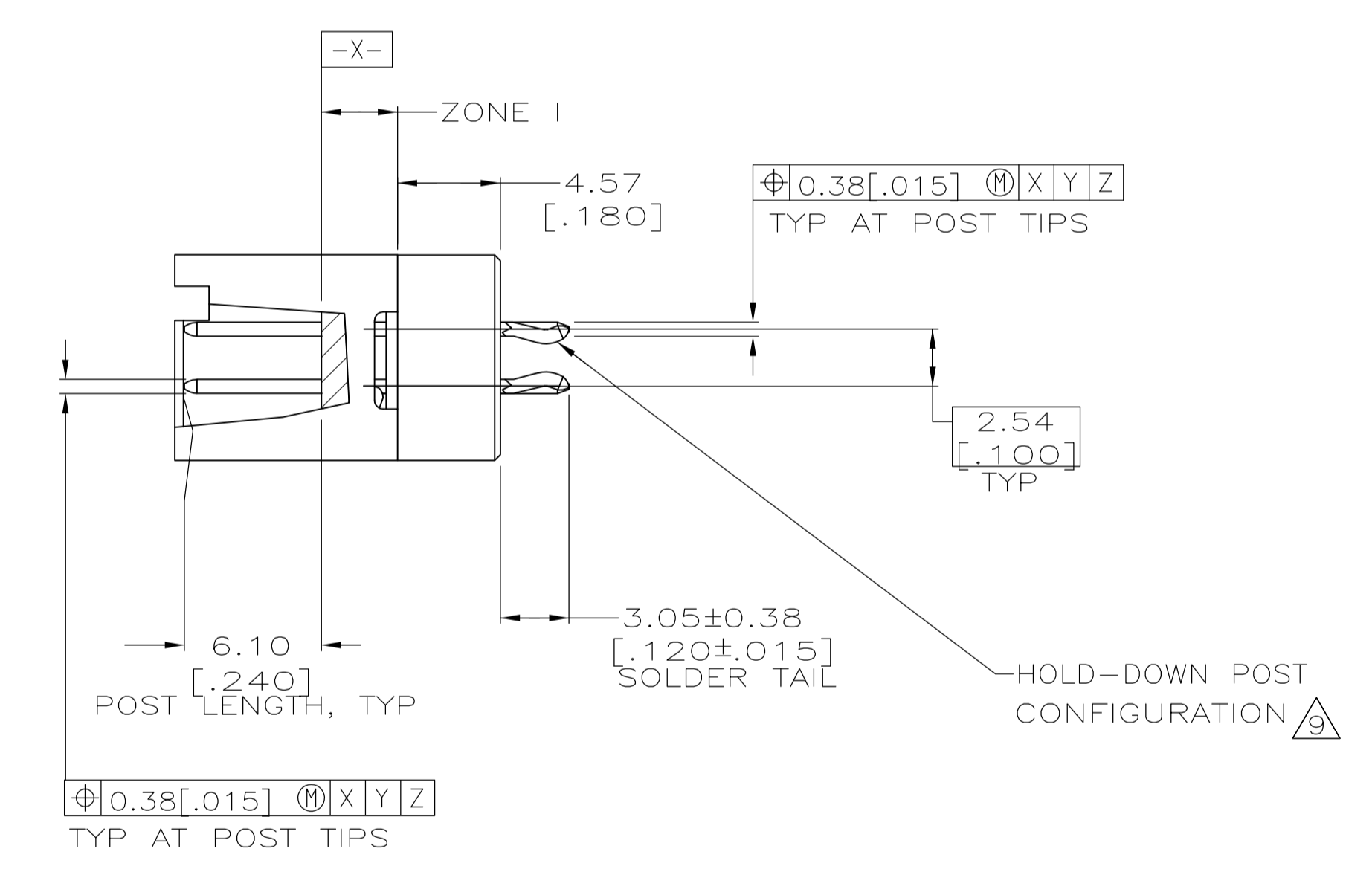
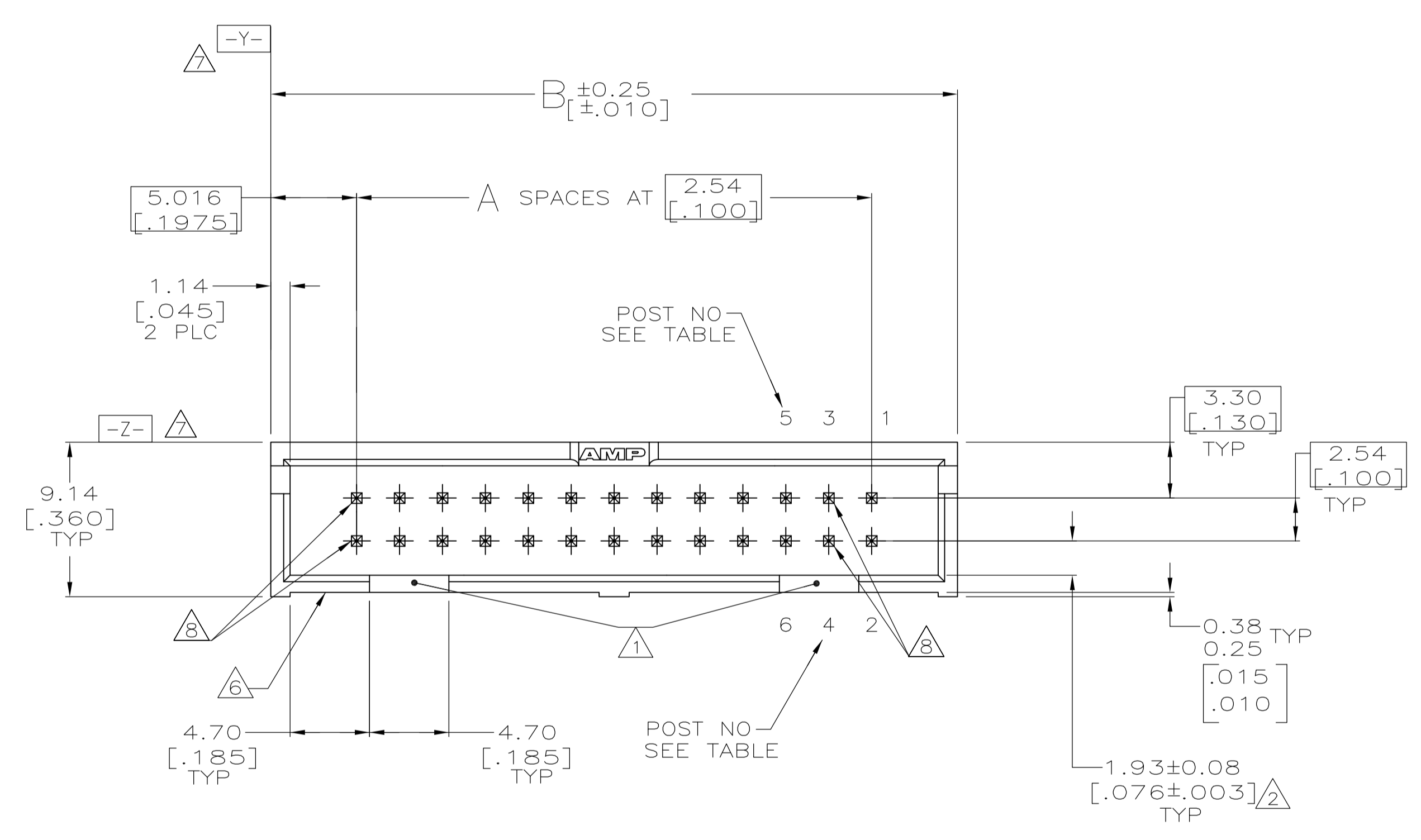


- $\Delta 1$  DOUBLE BAR POLARIZATION.
- $\Delta 2$  DIMENSION APPLIES AT THE INTERSECTION OF THE POST AND HOUSING.
- $\Delta 3$  CENTER POLARIZATION SLOT.
- $\Delta 4$  HOUSING: GLASS FILLED NYLON OR PBT, BLACK, UL 94V-0 RATED. POSTS: BRASS.
- $\Delta 5$  POSTS: GOLD FLASH OVER  $0.38 \mu\text{m}$  [0.00015] MIN PALLADIUM-NICKEL PLATE ON THE MATING SURFACES,  $2.54 \mu\text{m}$  [0.00100] MIN TIN-LEAD PLATE ON THE SOLDER-TAILS,  $1.27 \mu\text{m}$  [0.00050] MIN NICKEL UNDERPLATE ON THE ENTIRE POST.  
-OR-  
 $0.38 \mu\text{m}$  [0.00015] MIN GOLD PLATE ON THE MATING SURFACES,  $2.54 \mu\text{m}$  [0.00100] MIN TIN-LEAD PLATE ON THE SOLDER-TAILS,  $1.27 \mu\text{m}$  [0.00050] MIN NICKEL UNDERPLATE ON THE ENTIRE POST.
- $\Delta 6$  OPTIONAL AMP IDENTIFICATION NUMBER (DATE CODE). LOCATION APPROXIMATELY WHERE SHOWN.
- $\Delta 7$  DATUM Y AND Z APPLY ONLY IN ZONE I.
- $\Delta 8$  LOCATION OF HOLD-DOWN POSTS (4 PLACES).
- $\Delta 9$  THE RETENTIVE FEATURE ON THIS CONNECTOR WAS DESIGNED TO BE USED FULLY SEATED IN A CIRCUIT BOARD HAVING A THICKNESS OF  $1.57 \pm 0.18$  [0.062  $\pm$  0.007] FOR CONNECTORS HAVING RETENTIVE FEATURES DESIGNED FOR USE IN CIRCUIT BOARDS OF OTHER THICKNESSES CONTACT AMP INCORPORATED.



RECOMMENDED HOLE LAYOUT

OBSOLETE	19	40.64 [1.600]	12	26	111812-6
OBSOLETE	2	27.94 [1.100]	7	16	111812-3
	POST OMITTED LOCATION	B	A	NO OF POSN	PART NUMBER

THIS DRAWING IS A CONTROLLED DOCUMENT.

DIMENSIONS: mm [INCHES]	TOLERANCES UNLESS OTHERWISE SPECIFIED:	DIN C. OBERMAN 8-18-93	STE TE Connectivity
0 PLC ± -	1 PLC ± -	8-19-93	NAME
2 PLC ± ± 0.13 [0.005]	3 PLC ± ± -	9-7-93	APVD R. KILF
4 PLC ± ± -	ANGLES ± ± -	PRODUCT SPEC	108-40018
MATERIAL	FINISH	APPLICATION SPEC	SIZE
$\Delta 4$	$\Delta 5$	WEIGHT	A1 00779
CUSTOMER DRAWING		SCALE 4:1	SHEET 1 OF 1

RESTRICTED TO