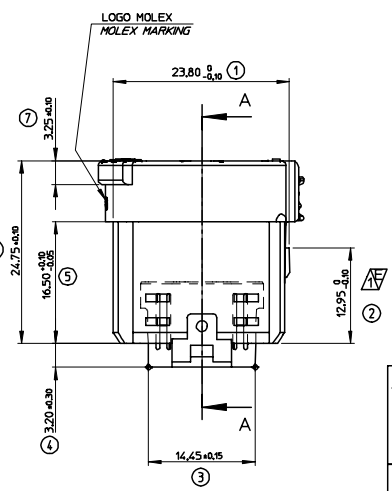
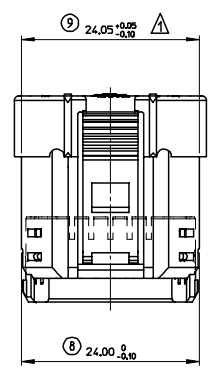
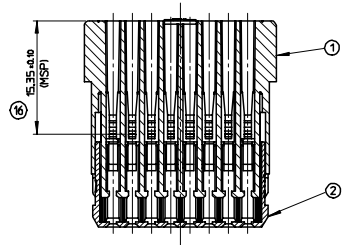


2	1	98284-0030	DOUBLE VERROUILLAGE SECONDARY LOCKING	JAUNE YELLOW	PBT 30%GF
1	1	98284-0010	PORTE CLIPS FEMALE MODULE	GRIS GREY	PBT 30%GF
REP	Qty	REFERENCE	DESIGNATION	COULEUR COLOR	MATIERE MATERIAL
NOMENCLATURE PARTS LIST					

CLIPS FEMALE TERMINALS	98587-0014	7 703 497 802
DESIGNATION DESIGNATION	REFERENCE MOLEX MOLEX PART N°	REFERENCE RSA RSA PART N°
PRODUITS ASSOCIES ASSOCIATED PARTS		

MISE EN OEUVRE / SPECIFICATION FILE	
CAHIER DE PRECONISATIONS N° :	CP-98284-0010
APPLICATION SPECIFICATION N° :	

SECTION A-A

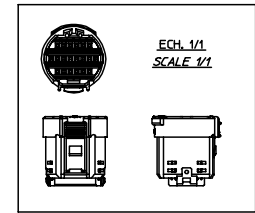
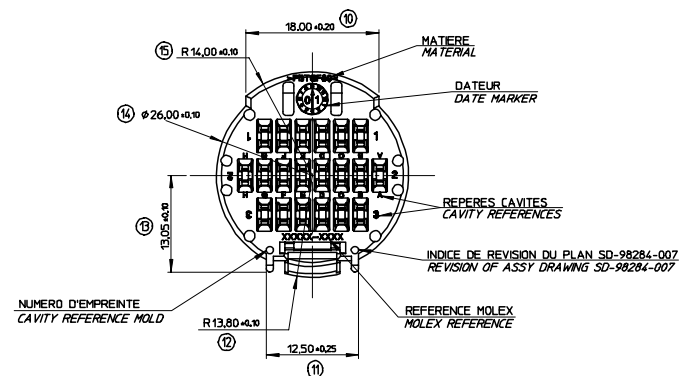


△	HERARCHISATION DES CARACTERISTIQUES NORME 0133301	△
CLASSIFICATION OF REQUIREMENTS STANDARD 01-33-301		
PARTIELLE PARTIAL	TOTALE TOTAL	

E	LIAISONS ELECTRIQUES NORME 01-58-904	
	ELECTRICAL CONNECTIONS TO STANDARD 01-58-904	
INDEX REVISION LEVEL	EN LIAISON AVEC NORME AFFECTED BY STANDARDS	
	SANS LIAISON AVEC NORME NOT AFFECTED BY STANDARDS	
INDI NAME	DATE	SERVICE DEPARTMENT

D3	04/03/23	TRANSFERT DE MICRO-STATION A ONESPACE DESIGNER TRANSFER FROM MICRO-STATION TO ONESPACE DESIGNER
D2	99/12/01	MISE A JOUR DES MARQUAGES UPDATE MARKINGS
D1	99/09/29	MISE A JOUR DES MARQUAGES UPDATE MARKINGS
D	99/09/15	MISE A JOUR POUR MOULE 4 CAVITES UPDATE FOR 4 CAVITIES MOLD
C	99/05/26	MISE A JOUR DES MARQUAGES AJOUTE HIERARCHISATION ET COTE MSP UPDATE MARKINGS ADD HIERARCHICAL AND SPEC DIMENSIONS
B	99/03/17	MISE A JOUR DES MARQUAGES AJOUTE SPEC CONDITIONNEMENT UPDATE MARKINGS - ADD SPEC PACKAGING
A	98/11/03	PRIERE DIFFUSION CLIENT FIRST RELEASE FOR CUSTOMER
Incl.	Date	Revision

Mise à C. / 2/3 de mise		PORTE CLIPS 20 VOIES	
Mise à jour de la nomenclature Update of the parts list Mise à jour de la cote Update of the spec		FEMALE MODULE 20 WAYS	
INDI	DATE	INDI	DATE
300	65660	7 703 597 099	1/1
RENAULT			



CONFORME AU PLAN
D'EMPREINTE 7 710 001 164 .
CONFORMITY WITH CAVITY
DRAWING 7 710 001 164 .

SPECIFICATION MOLEX DE
CONDITIONNEMENT N° , PP-98284-0110
PACKAGING MOLEX
SPECIFICATION N° , PP-98284-0110

CONFORME AU C.D.C. -R.S.A. 36 05 019 REV. E
ET NOTE TECHNIQUE N° 8578/1998/60606
CONFORMITY WITH SPEC. -R.S.A. 36 05 019 REV. E
AND TECHNICAL NOTE N° 8578/1998/60606

EC NO: G2004-0349 DRW:MRVIERE 2004/04/07 CHKD:MANDRE 2004/04/07 APPR:LSTICKEI 2004/04/13	REVISION	DESCRIPTION	GENERAL TOLERANCES (UNLESS SPECIFIED)		SCALE	DESIGN UNITS	FIRST ANGLE PROJECTION	REVISE ON CAD ONLY
			mm	INCH	3:1	METRIC		
			4 PLACES ± --- ± ---			MM ONLY		
			3 PLACES ± --- ± ---		DRAWN BY	DATE		
			2 PLACES ± --- ± ---		M.A.	98/10/15		
			1 PLACE ± --- ± ---		CHECKED BY	DATE		
			ANGULAR ±1/2°		M.A.	99/12/20		
			DRAFT WHERE APPLICABLE MUST REMAIN WITHIN DIMENSIONS		APPROVED BY	DATE	MATERIAL NO.	DOCUMENT NO.
					F.P.	99/12/20	98284-0110	SD-98284-007
								SHEET NO.
								1 OF 1
								THIS DRAWING CONTAINS INFORMATION THAT IS PROPRIETARY TO MOLEX INCORPORATED AND SHOULD NOT BE USED WITHOUT WRITTEN PERMISSION