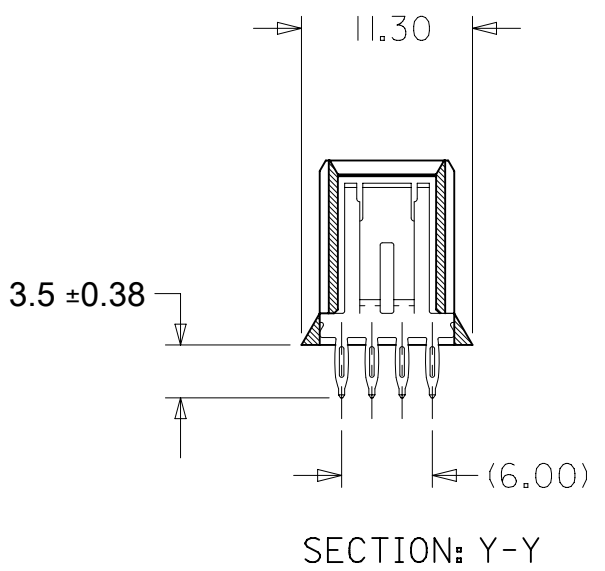
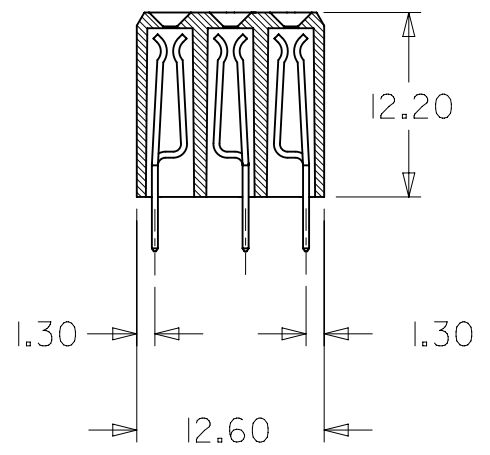
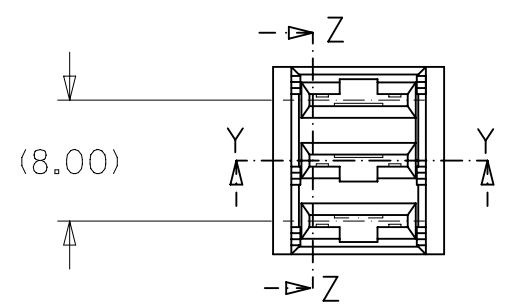
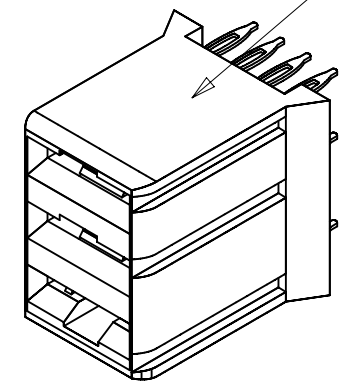


ASSEMBLY NUMBER	FINISH
73656-0000	SEE NOTE 2.
73656-0001	SEE NOTE 3.

DATE CODE AND PART NUMBER ON THIS SURFACE OR SURFACE OPPOSITE.

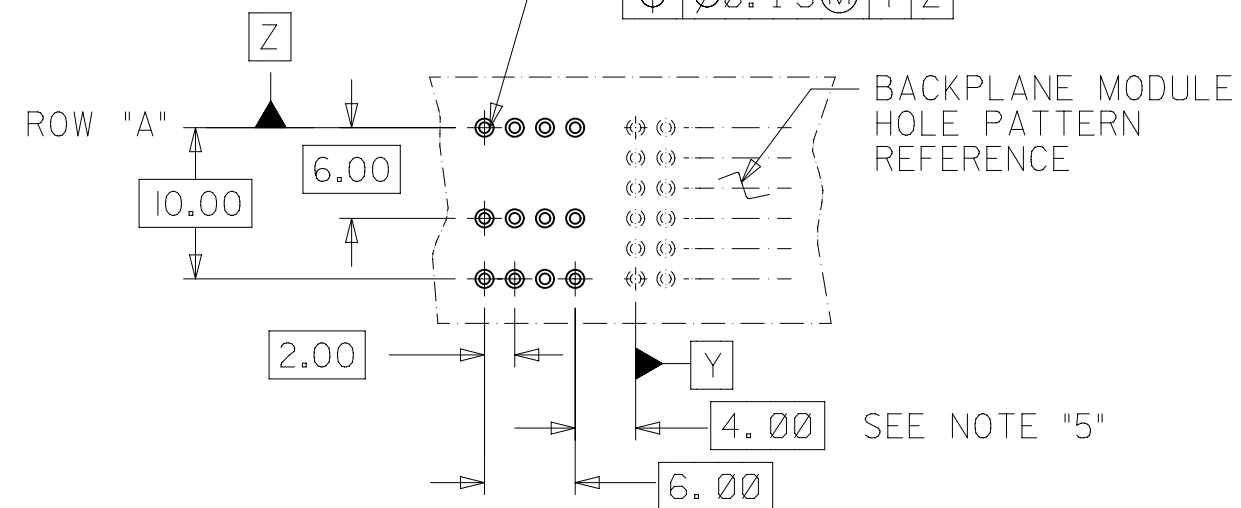


NOTES:

1. MATERIALS: HOUSING - LIQUID CRYSTAL POLYMER (LCP), GLASS-FILLED, UL94V-0, COLOR: BLACK
TERMINAL - COPPER ALLOY
2. FINISH: SELECTIVE GOLD (Au) IN CONTACT AREA, 0.76 micrometer MINIMUM THICKNESS: NICKEL (Ni) AND GOLD FLASH OVERALL
3. FINISH: SELECTIVE GOLD (Au) IN CONTACT AREA, 0.76 micrometer MINIMUM THICKNESS: MATTE TIN (Sn) OVER NICKEL (Ni) IN COMPLIANT AREA: NICKEL (Ni) OVERALL ON REMAINING WITH SELECTIVE GOLD (Au) FLASH.
4. THIS DIMENSION MUST BE A MULTIPLE OF 4.00 mm.
5. DIMENSIONS ARE IN MILLIMETERS.
6. THIS PART CONFORMS TO MOLEX PRODUCT SPECIFICATION PS-73670-9999.
7. PACKAGE ASSEMBLIES PER PK-70873-0819.
8. HOLE SIZE SPECIFICATION IS FOR TIN/LEAD PLATED HOLES ONLY. FOR OTHER PLATING TYPES SEE MOLEX APPLICATION AS-73670-9996.
9. THIS PART CONFORMS TO MOLEX COSMETIC SPECIFICATION PS-45499-002 CLASS B.

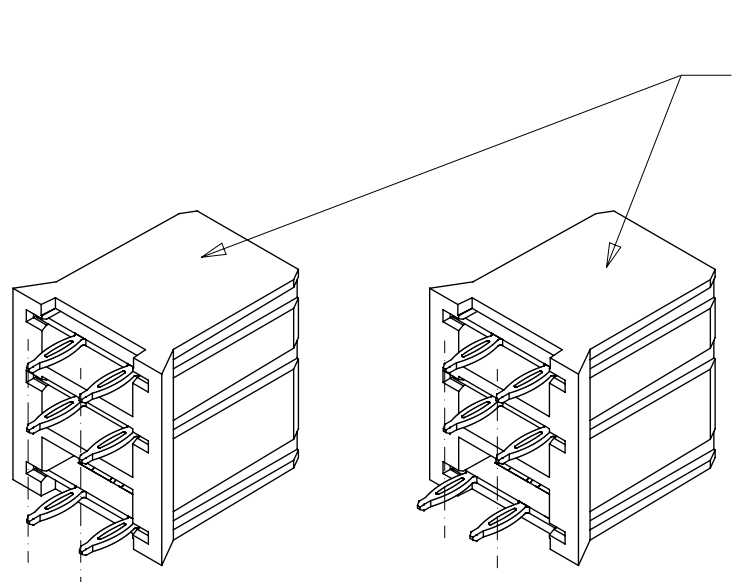
SEE NOTE 8.

Ø 0.838 DRILLED HOLE
Ø 0.80/0.65 PLATED THRU HOLE
Ø 1.20 COPPER PAD
⊕ Ø0.15 (M) Y Z



PCB LAYOUT: COMPONENT SIDE
RECOMMENDED PCB THICKNESS: 2.50 MIN

THIS DRAWING CONTAINS INFORMATION THAT IS PROPRIETARY TO MOLEX ELECTRONIC TECHNOLOGIES, LLC AND SHOULD NOT BE USED WITHOUT WRITTEN PERMISSION									
DIMENSION UNITS	SCALE	CURRENT REV DESC: REMOVED OBSOLETE PART NUMBERS AS PER PCN#511698.							
mm	2:1								
GENERAL TOLERANCES (UNLESS SPECIFIED)		EC NO: 742551			SALES ASSY, HDM BACKPLANE POWER MODULE (PRESSFIT)				
ANGULAR TOL	± 0.5°	DRWN: SANTHN 2023/03/30			PRODUCT CUSTOMER DRAWING				
4 PLACES	±	CHKD: GGA 2023/05/12			DOCUMENT NUMBER				
3 PLACES	±	APPR: GGA 2023/05/12			SDA-73656-X00X				
2 PLACES	± 0.13	INITIAL REVISION:			DOC TYPE DOC PART REVISION				
1 PLACE	± 0.25	DRWN: TELO 1998/05/21			PSD 001 K				
0 PLACES	±	APPR: CBIXLER 2000/06/13							
DRAFT WHERE APPLICABLE MUST REMAIN WITHIN DIMENSIONS	THIRD ANGLE PROJECTION	DRAWING	SERIES	MATERIAL NUMBER	CUSTOMER	SHEET NUMBER			
		B-SIZE	73656	SEE TABLES	GENERAL MARKET	1 OF 3			



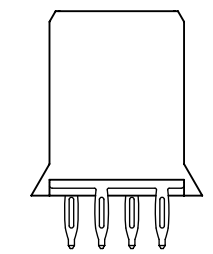
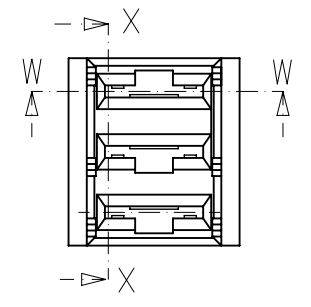
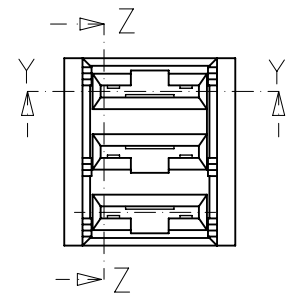
DATE CODE AND
PART NUMBER ON
THIS SURFACE OR
SURFACE OPPOSITE.

73656-100*

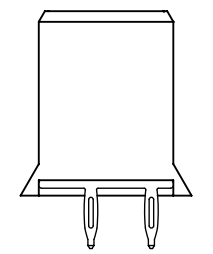
73656-200*

MIDPLANE OPTION

ASSEMBLY NUMBER	FINISH (SEE SHT 1)
73656-1000	SEE NOTE 2. (GOLD TAILS)

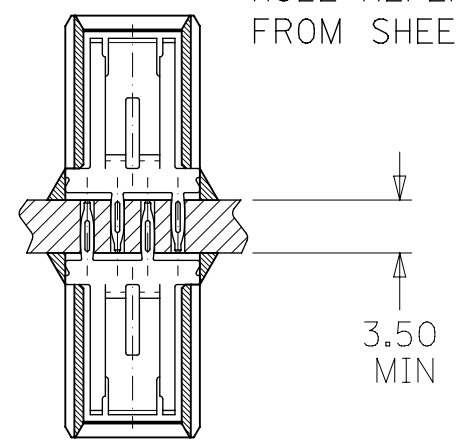


73656-200*

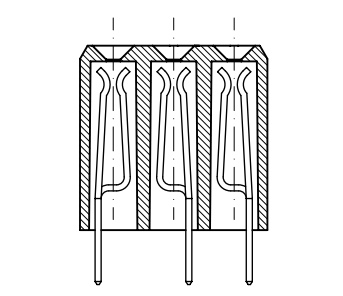


73656-100*

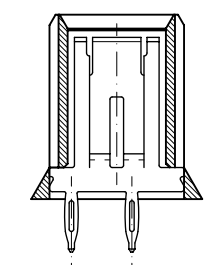
USE BACKPLANE MODULE
HOLE REFERENCE PATTERN
FROM SHEET 1



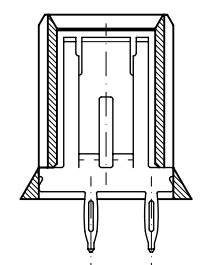
BACK-TO-BACK
MOUNTING APPLICATION



SECTION X-X
SECTION Z-Z
ROTATED 90° CW



(4.00)
SECTION: Y-Y

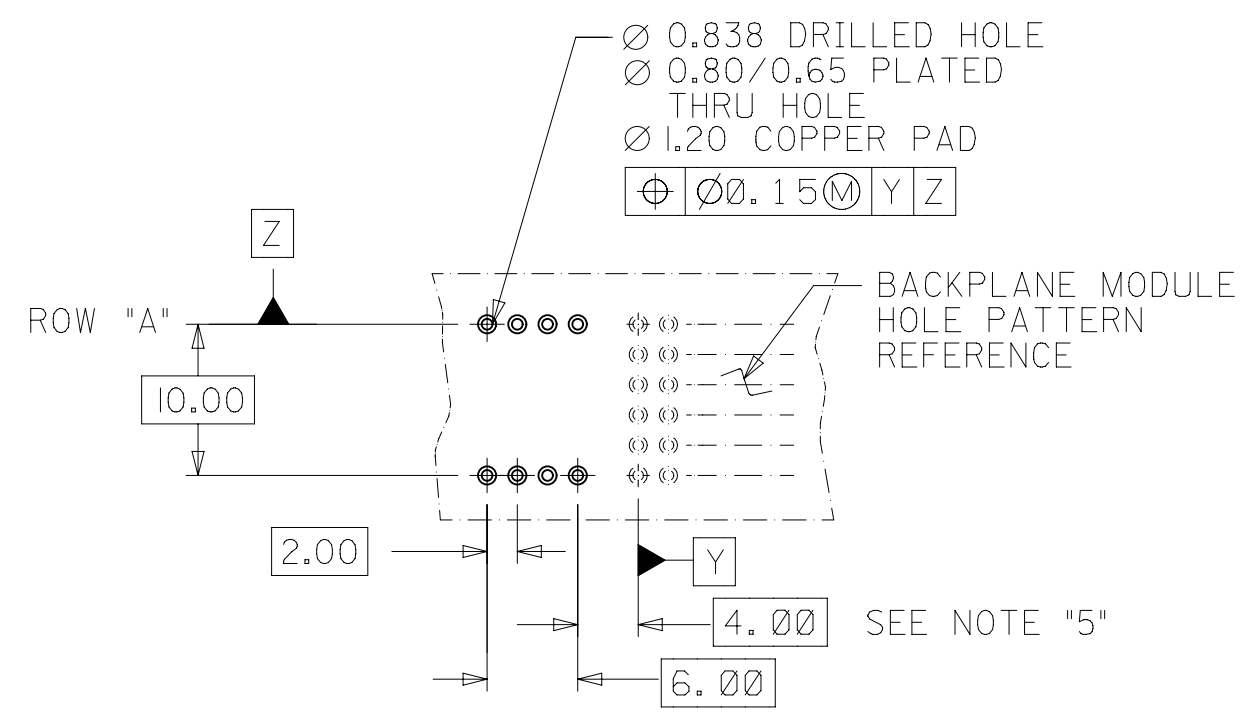
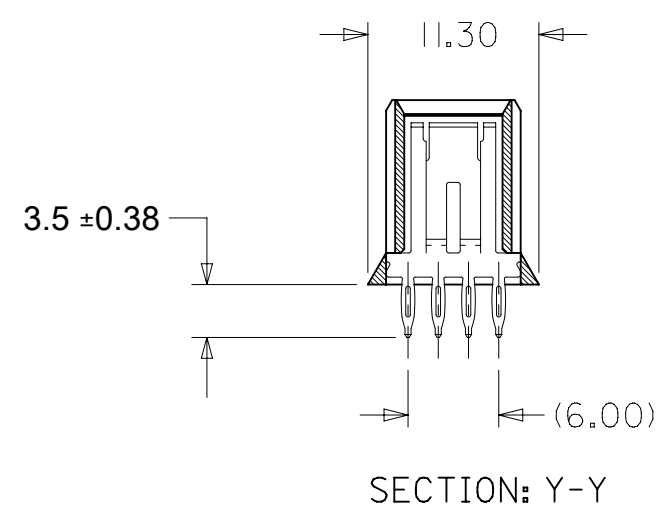
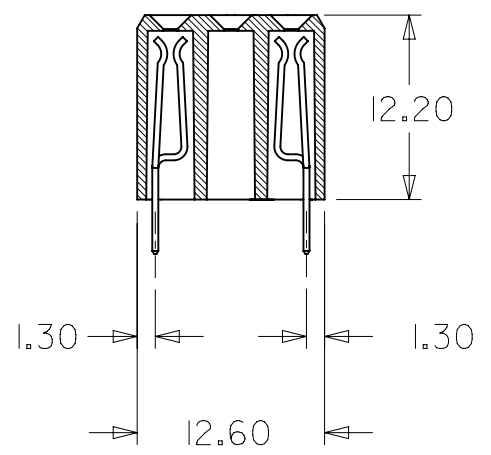
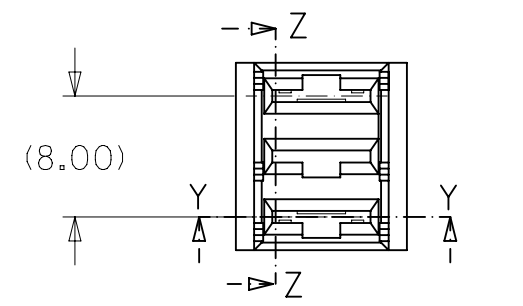
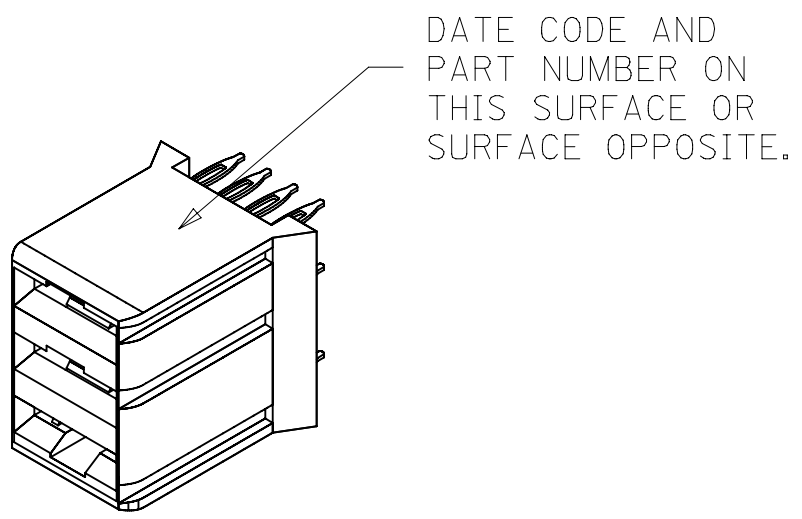


(4.00)
SECTION: W-W

THIS DRAWING CONTAINS INFORMATION THAT IS PROPRIETARY TO MOLEX ELECTRONIC TECHNOLOGIES, LLC AND SHOULD NOT BE USED WITHOUT WRITTEN PERMISSION

DIMENSION UNITS mm	SCALE 2:1	CURRENT REV DESC: REMOVED OBSOLETE PART NUMBERS AS PER PCN#511698.	molex		
GENERAL TOLERANCES (UNLESS SPECIFIED)		EC NO: 742551			
ANGULAR TOL ± 0.5°	4 PLACES ±	DRWN: SANTHN 2023/03/30	PRODUCT CUSTOMER DRAWING		
3 PLACES ±	2 PLACES ± 0.13	CHKD: GGA 2023/05/12	DOCUMENT NUMBER		
1 PLACE ± 0.25	0 PLACES ±	APPR: GGA 2023/05/12	SDA-73656-X00X		
INITIAL REVISION:		DRWN: TELO 1998/05/21	DOC TYPE	DOC PART	REVISION
DRAFT WHERE APPLICABLE MUST REMAIN WITHIN DIMENSIONS		APPR: CBIXLER 2000/06/13	PSD	001	K
THIRD ANGLE PROJECTION	DRAWING	SERIES	MATERIAL NUMBER	CUSTOMER	SHEET NUMBER
	B-SIZE	73656	SEE TABLES	GENERAL MARKET	2 OF 3

ASSEMBLY NUMBER	FINISH
73656-0180	SEE NOTE 2.
73656-0181	SEE NOTE 3.



THIS DRAWING CONTAINS INFORMATION THAT IS PROPRIETARY TO MOLEX ELECTRONIC TECHNOLOGIES, LLC AND SHOULD NOT BE USED WITHOUT WRITTEN PERMISSION									
DIMENSION UNITS	SCALE	CURRENT REV DESC: REMOVED OBSOLETE PART NUMBERS AS PER PCN#511698.							
mm	2:1	molex SALES ASSY , HDM BACKPLANE POWER MODULE (PRESSFIT)							
GENERAL TOLERANCES (UNLESS SPECIFIED)									
ANGULAR TOL	± 0.5°	PRODUCT CUSTOMER DRAWING							
4 PLACES	±	EC NO: 742551	2023/03/30	DOCUMENT NUMBER: SDA-73656-X00X DOC TYPE: PSD DOC PART: 001 REVISION: K					
3 PLACES	±	DRWN: SANTHN	2023/05/12						
2 PLACES	± 0.13	CHKD: GGA	2023/05/12	INITIAL REVISION: DRWN: TELO APPR: CBIXLER					
1 PLACE	± 0.25	APPR: GGA	2023/05/12						
0 PLACES	±	1998/05/21	2000/06/13	MATERIAL NUMBER: SEE TABLES CUSTOMER: GENERAL MARKET SHEET NUMBER: 3 OF 3					
DRAFT WHERE APPLICABLE MUST REMAIN WITHIN DIMENSIONS		THIRD ANGLE PROJECTION	DRAWING: B-SIZE						

DOCUMENT STATUS	P1	RELEASE DATE	2023/05/12	06:17:10
-----------------	----	--------------	------------	----------