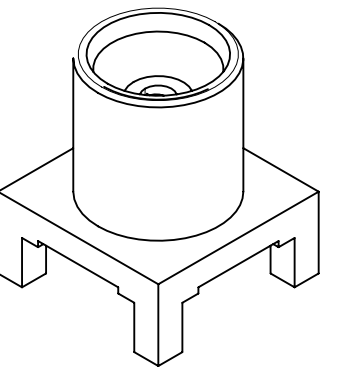
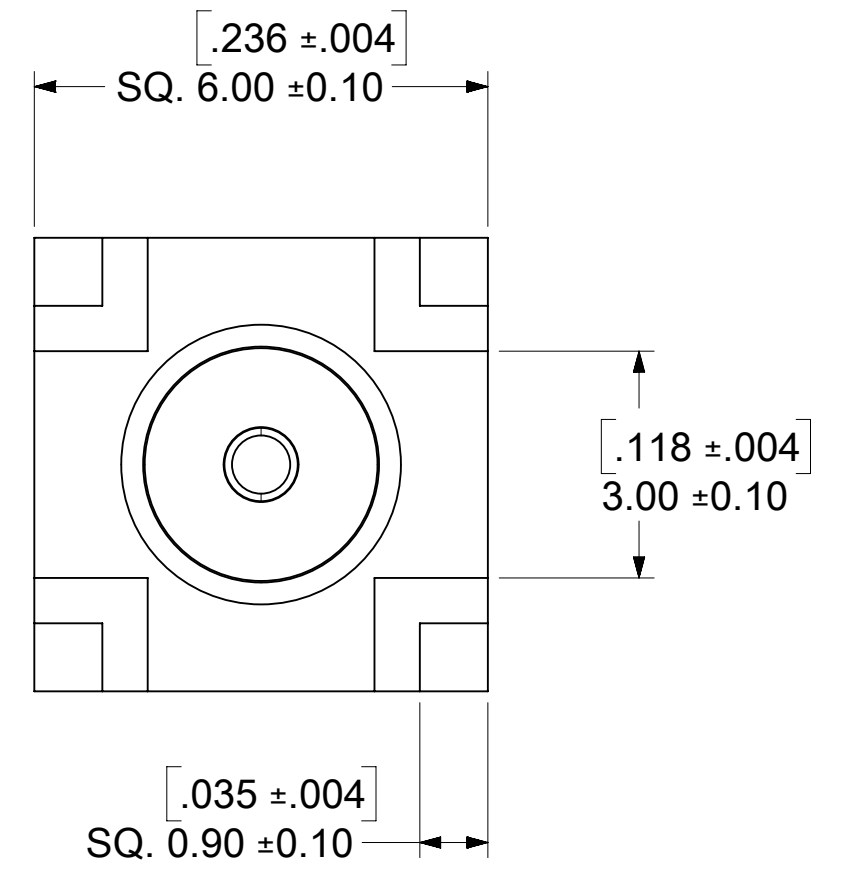
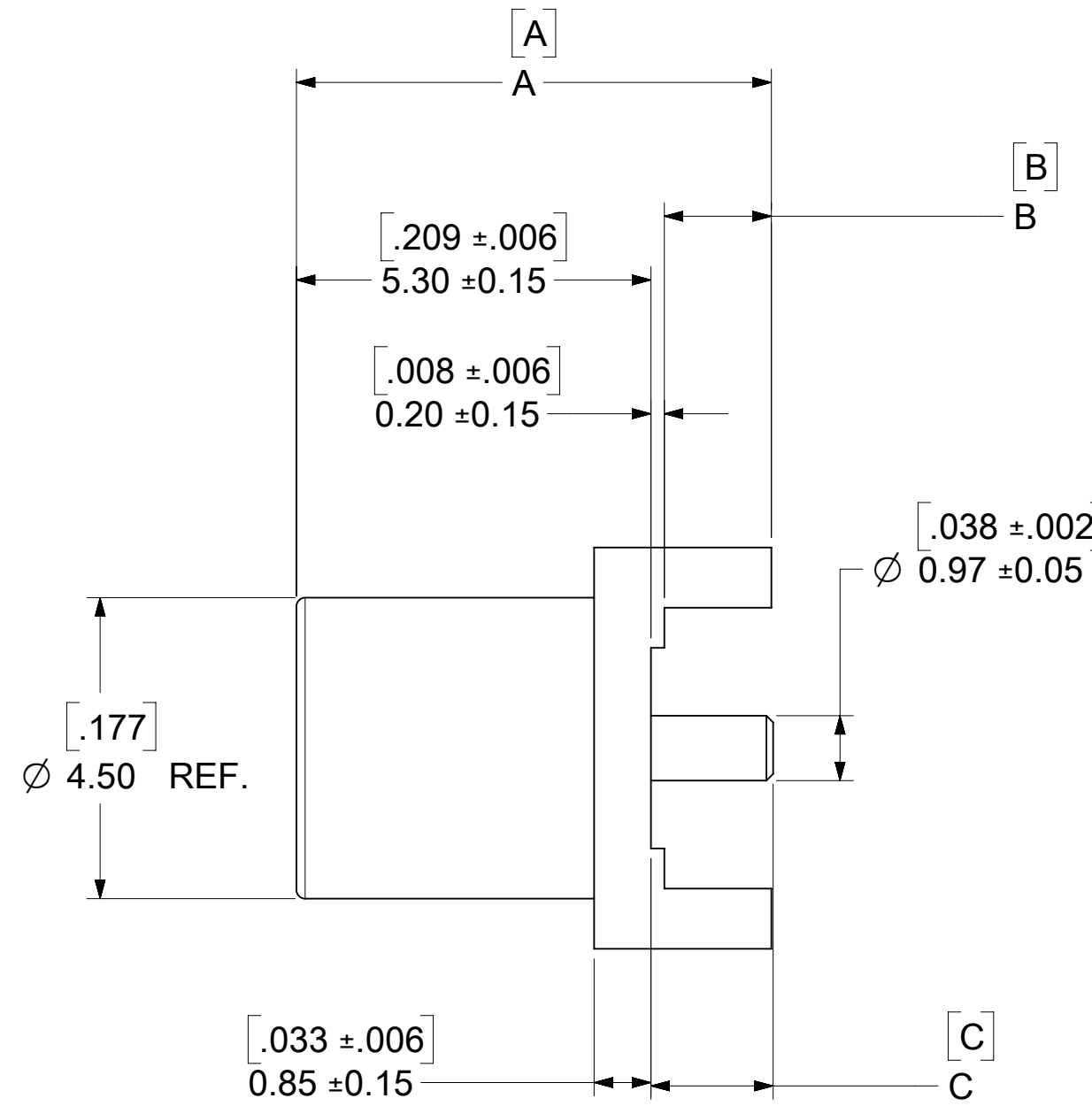
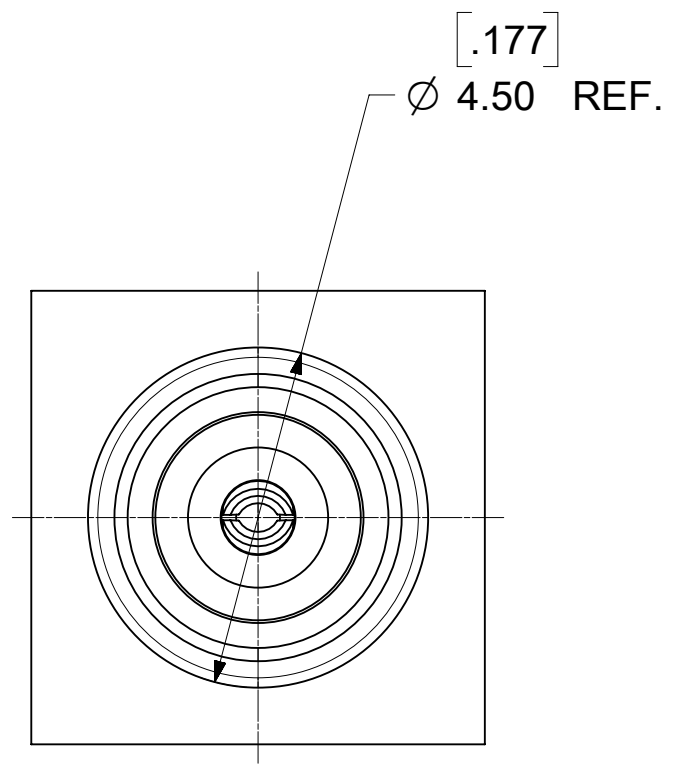


MATERIALS AND FINISHES:

CONTACT: BERYLLIUM COPPER
 PLATED GOLD 30u" MIN. OVER NICKEL 50u" MIN.
 (73366-6190/6191 PLATING SEE TABLE)

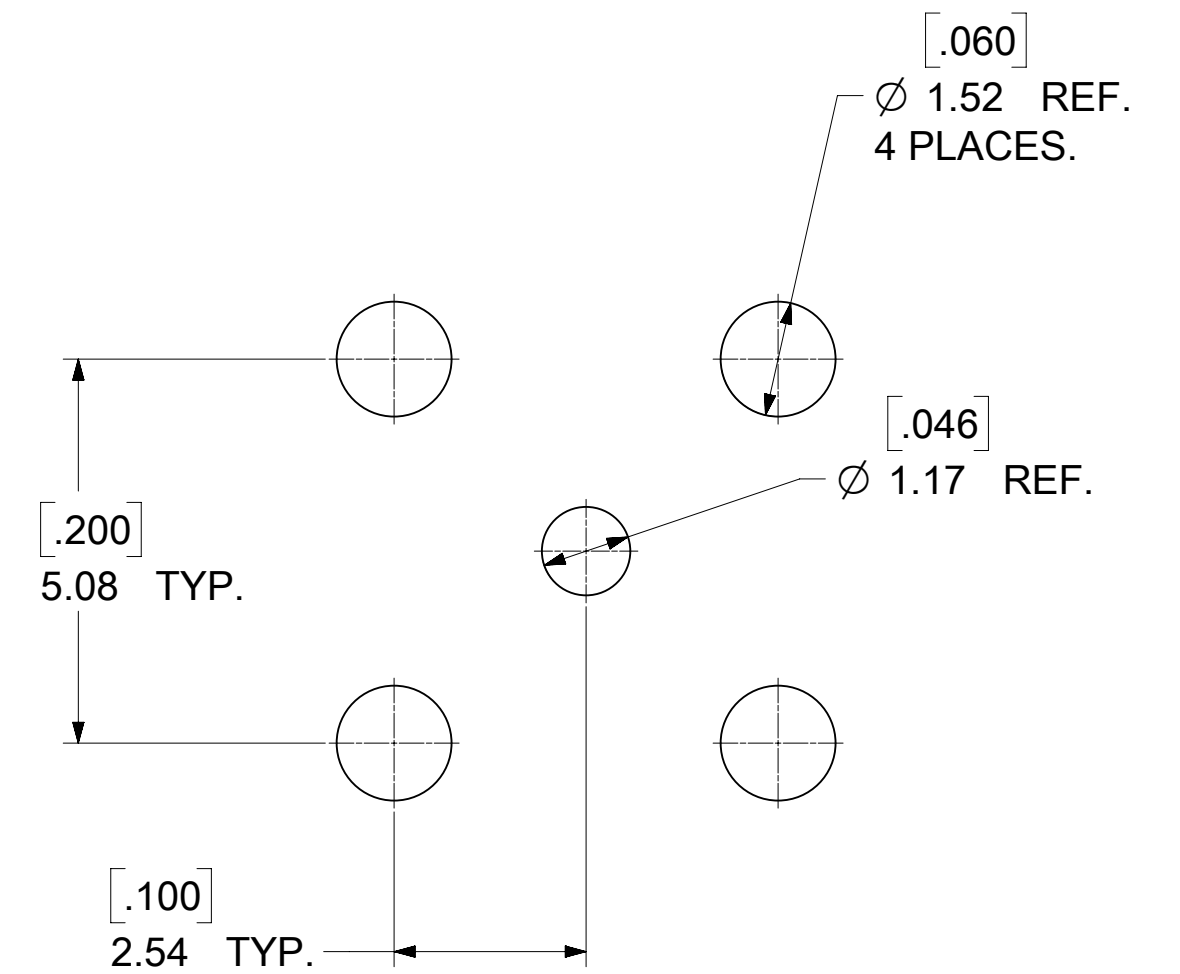
INSULATOR: TEFLON

BODY: BRASS
 PLATED SEE TABLE



SEE SD-73366-619 FOR CONTINUATION OF TABULATION

73366-6192	.280±.006	7.10±0.15	.062±.006	1.58±0.15	.073±.006	1.86±0.15	GOLD 1u" MIN.	CONTACT GOLD 1u" MIN. ; TAPE & REEL
73366-6191	.280±.006	7.10±0.15	.062±.006	1.58±0.15	.073±.006	1.86±0.15	GOLD 1u" MIN.	73366-0061 TAPE & REEL
73366-6190	.579±.006	14.70±0.30	.062±.006	1.58±0.15	.071 REF	1.81 REF	GOLD 1u" MIN.	CONTACT GOLD 10u" MIN. ; TRAY
73366-0069	.280±.006	7.10±0.15	.062±.006	1.57±0.15	.073±.006	1.86±0.15	GOLD 1u" MIN.	1 PC 73366-0061 PER BAG
73366-0068	.280±.006	7.10±0.15	.062±.006	1.57±0.15	.073±.006	1.86±0.15	NICKEL 70u" MIN.	73366-0060 SMALL TRAY
73366-0067	.280±.006	7.10±0.15	.062±.006	1.57±0.15	.073±.006	1.86±0.15	NICKEL 70u" MIN.	1 PC 73366-0060 PER BAG
73366-0066	.236±.006	5.99±0.15	.019±.006	0.50±0.15	.031±.006	0.80±0.15	GOLD 1u" MIN.	73366-0065 TAPE & REEL
73366-0065	.236±.006	5.99±0.15	.019±.006	0.50±0.15	.031±.006	0.80±0.15	GOLD 1u" MIN.	TRAY
73366-0064	.236±.006	5.99±0.15	.019±.006	0.50±0.15	.031±.006	0.80±0.15	NICKEL 70u" MIN.	73366-0063 TAPE & REEL
73366-0063	.236±.006	5.99±0.15	.019±.006	0.50±0.15	.031±.006	0.80±0.15	NICKEL 70u" MIN.	TRAY
73366-0062	.280±.006	7.10±0.15	.062±.006	1.57±0.15	.073±.006	1.86±0.15	NICKEL 70u" MIN.	73366-0060 TAPE & REEL
73366-0061	.280±.006	7.10±0.15	.062±.006	1.57±0.15	.073±.006	1.86±0.15	GOLD 1u" MIN.	TRAY
73366-0060	.280±.006	7.10±0.15	.062±.006	1.57±0.15	.073±.006	1.86±0.15	NICKEL 70u" MIN.	TRAY
PART NO.	IN	MM	IN	MM	IN	MM	PLATING	CONTACT PLATING & PACKAGE
DIM (X)	DIM A		DIM B		DIM C		BODY	



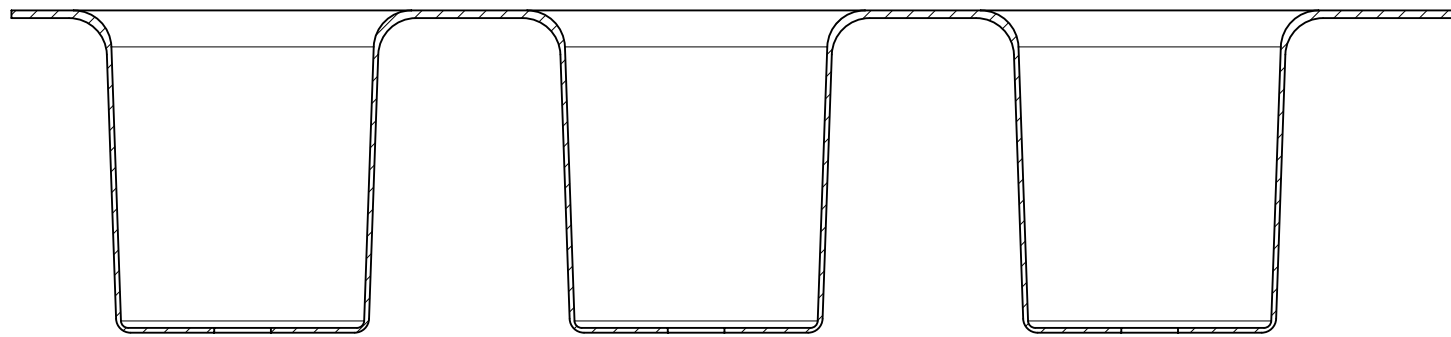
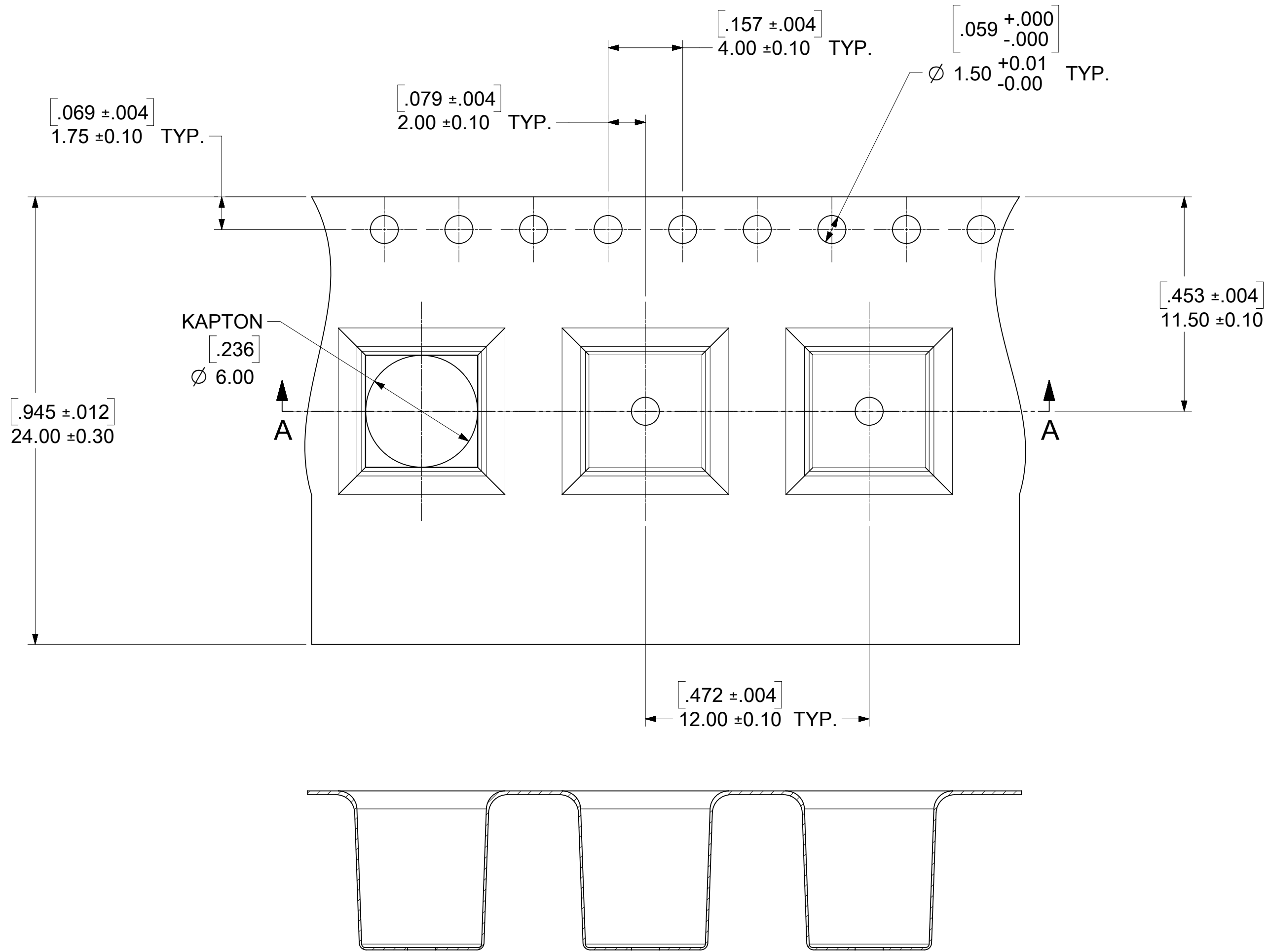
SUGGESTED PCB LAYOUT

PS-73598-0132	ELECTRO /MECH PERFORM.
SPECIFICATION	DESCRIPTION

FUNCTIONAL SYMBOLS $\frac{E}{A} = 0$ $\frac{E}{C} = 0$ $\frac{E}{P} = 0$	THIS DRAWING CONTAINS INFORMATION THAT IS PROPRIETARY TO MOLEX ELECTRONIC TECHNOLOGIES, LLC AND SHOULD NOT BE USED WITHOUT WRITTEN PERMISSION		SCALE MM/INCH NTS		CURRENT REV DESC: EWR # 15425-A ADDED TRAY PACKING DRAWING								
	GENERAL TOLERANCES (UNLESS SPECIFIED) ANGULAR TOL ± 2.0°		4 PLACES ±		EC NO: 720553 DRWN: JSU18 2022/09/07 CHK'D: YCHENG 2022/09/13 APPR: YCHENG 2022/09/13						MCX JACK VERT PCB TH 50 OHMS MCX-J/PCB EWR-3263		
DIVISIONAL SYMBOLS 3 PLACES ± 2 PLACES ± 1 PLACE ± 0 PLACES ±	DRAFT WHERE APPLICABLE MUST REMAIN WITHIN DIMENSIONS		THIRD ANGLE PROJECTION		DRAWING SERIES C-SIZE 73366		INITIAL REVISION: DRWN: JTSAO 2006/04/20 APPR: MISEN 2001/03/01		PRODUCT CUSTOMER DRAWING				
	DOCUMENT NUMBER SD-73366-006		DOC TYPE PSD		DOC PART 001		REVISION C3		MATERIAL NUMBER SEE TABLE		CUSTOMER GENERAL MARKET		SHEET NUMBER 1 OF 5

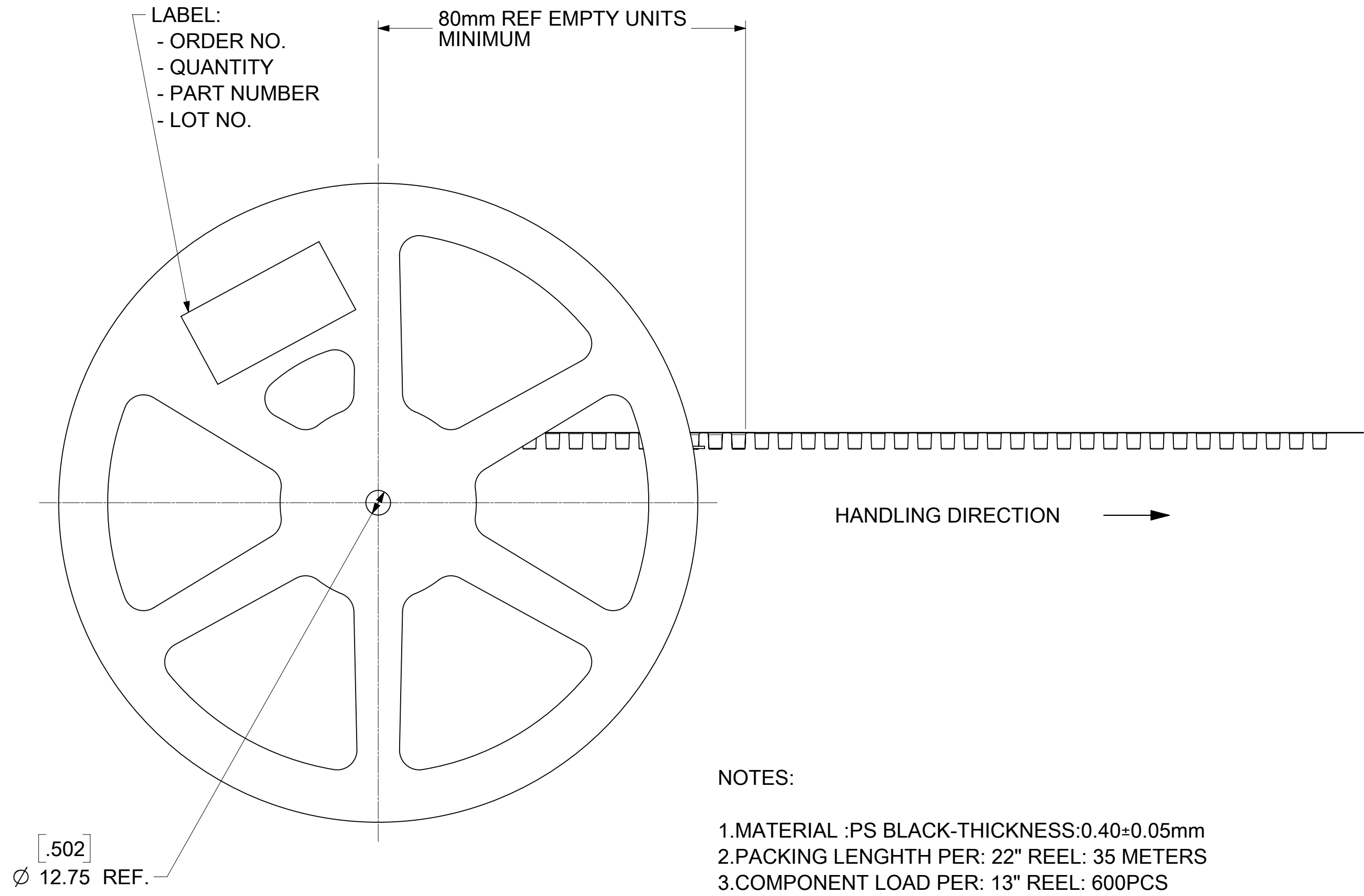
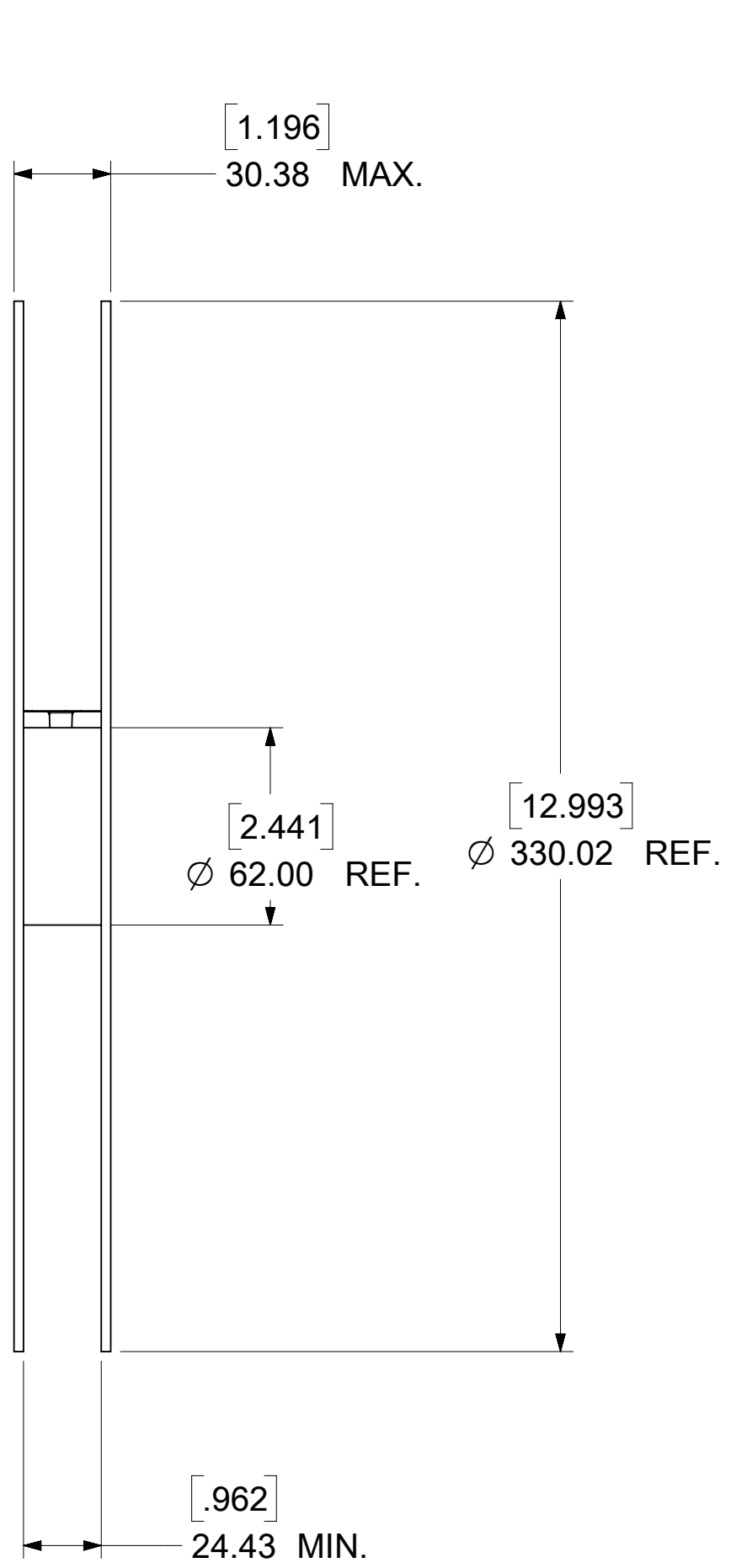
DOCUMENT STATUS	P1	RELEASE DATE	2022/09/13	09:16:28
-----------------	----	--------------	------------	----------

NOTE:
 1. TAPE AND REEL PACKAGE
 2. 10 PITCHES CUMULATIVE TOLERANCE ±0.20(.008)



FUNCTIONAL SYMBOLS	THIS DRAWING CONTAINS INFORMATION THAT IS PROPRIETARY TO MOLEX ELECTRONIC TECHNOLOGIES, LLC AND SHOULD NOT BE USED WITHOUT WRITTEN PERMISSION										
	DIMENSION UNITS	SCALE	CURRENT REV DESC:								
$\frac{F}{A} = 0$	MM/INCH	NTS	EWR # 15425-A ADDED TRAY PACKING DRAWING								
$\frac{E}{C} = 0$	GENERAL TOLERANCES (UNLESS SPECIFIED)		EC NO: 720553							PRODUCT CUSTOMER DRAWING	
$\frac{E}{P} = 0$	ANGULAR TOL ± 2.0°		DRWN: JSU18 2022/09/07								
DIVISIONAL SYMBOLS	4 PLACES ±		CHK'D: YCHENG 2022/09/13							DOC TYPE PSD	
	3 PLACES ±		APPR: YCHENG 2022/09/13								
	2 PLACES ±		INITIAL REVISION:							REVISION C3	
	1 PLACE ±		DRWN: JTSAO 2006/04/20								
	0 PLACES ±		APPR: MISEN 2001/03/01							CUSTOMER GENERAL MARKET	
	DRAFT WHERE APPLICABLE MUST REMAIN WITHIN DIMENSIONS		THIRD ANGLE PROJECTION	DRAWING	SERIES	SHEET NUMBER					
				C-SIZE	73366	2 OF 5					

DOCUMENT STATUS	P1	RELEASE DATE	2022/09/13 09:16:28
-----------------	----	--------------	---------------------

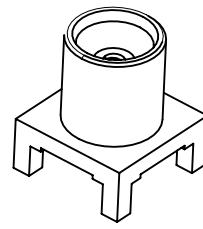


- NOTES:
- 1.MATERIAL :PS BLACK-THICKNESS:0.40±0.05mm
 - 2.PACKING LENGTH PER: 22" REEL: 35 METERS
 - 3.COMPONENT LOAD PER: 13" REEL: 600PCS

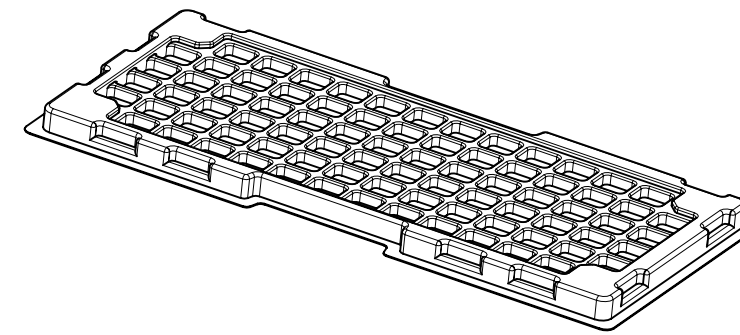
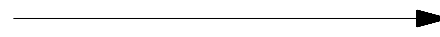
PACKING SPECIFICATION:

-----	QUANTITY	SIZE	REMARK
1 EMBOSSED TAPE	600/3000	PER SHEET 2	PER ONE 13" REEL
1 REEL	5/3000	PER SHEET 3	-----
2 INNER CARTON BOX	1/3000	336X336X182 (MM)	1 BOX = 5 REEL = 3000EA
3 OUTER CARTON BOX	1/3000	385X367X206 (MM)	-----

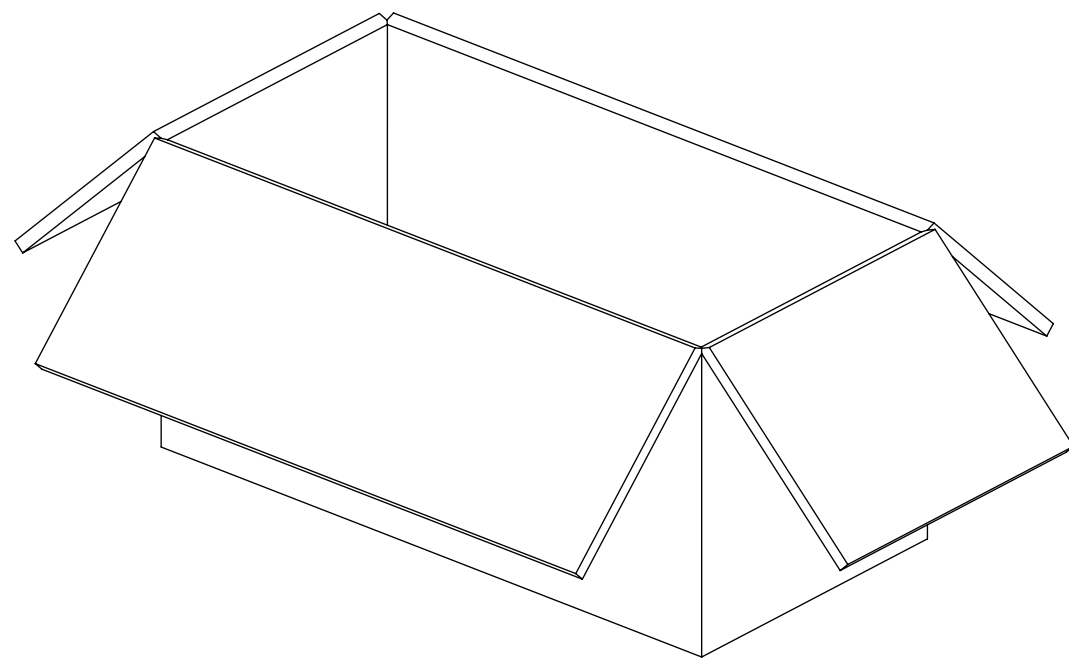
THIS DRAWING CONTAINS INFORMATION THAT IS PROPRIETARY TO MOLEX ELECTRONIC TECHNOLOGIES, LLC AND SHOULD NOT BE USED WITHOUT WRITTEN PERMISSION									
FUNCTIONAL SYMBOLS	DIMENSION UNITS	SCALE	CURRENT REV DESC:						
FA = 0	MM/INCH	NTS	EWR # 15425-A ADDED TRAY PACKING DRAWING						
FC = 0	GENERAL TOLERANCES (UNLESS SPECIFIED)		EC NO: 720553						
FP = 0	ANGULAR TOL ± 2.0°		DRWN: JSU18				2022/09/07		MOLEX
DIVISIONAL SYMBOLS	4 PLACES ±		CHK'D: YCHENG				2022/09/13		MCX JACK VERT PCB TH 50 OHMS MCX-J/PCB EWR-3263
	3 PLACES ±		APPR: YCHENG				2022/09/13		PRODUCT CUSTOMER DRAWING
	2 PLACES ±		INITIAL REVISION:				DOCUMENT NUMBER		DOC TYPE
	1 PLACE ±		DRWN: JTSAO				2006/04/20		DOC PART
	0 PLACES ±		APPR: MISEN				2001/03/01		REVISION
DRAFT WHERE APPLICABLE MUST REMAIN WITHIN DIMENSIONS			THIRD ANGLE PROJECTION		DRAWING		SERIES		MATERIAL NUMBER
			C-SIZE		73366		SEE TABLE		CUSTOMER
							GENERAL MARKET		SHEET NUMBER
							3 OF 5		



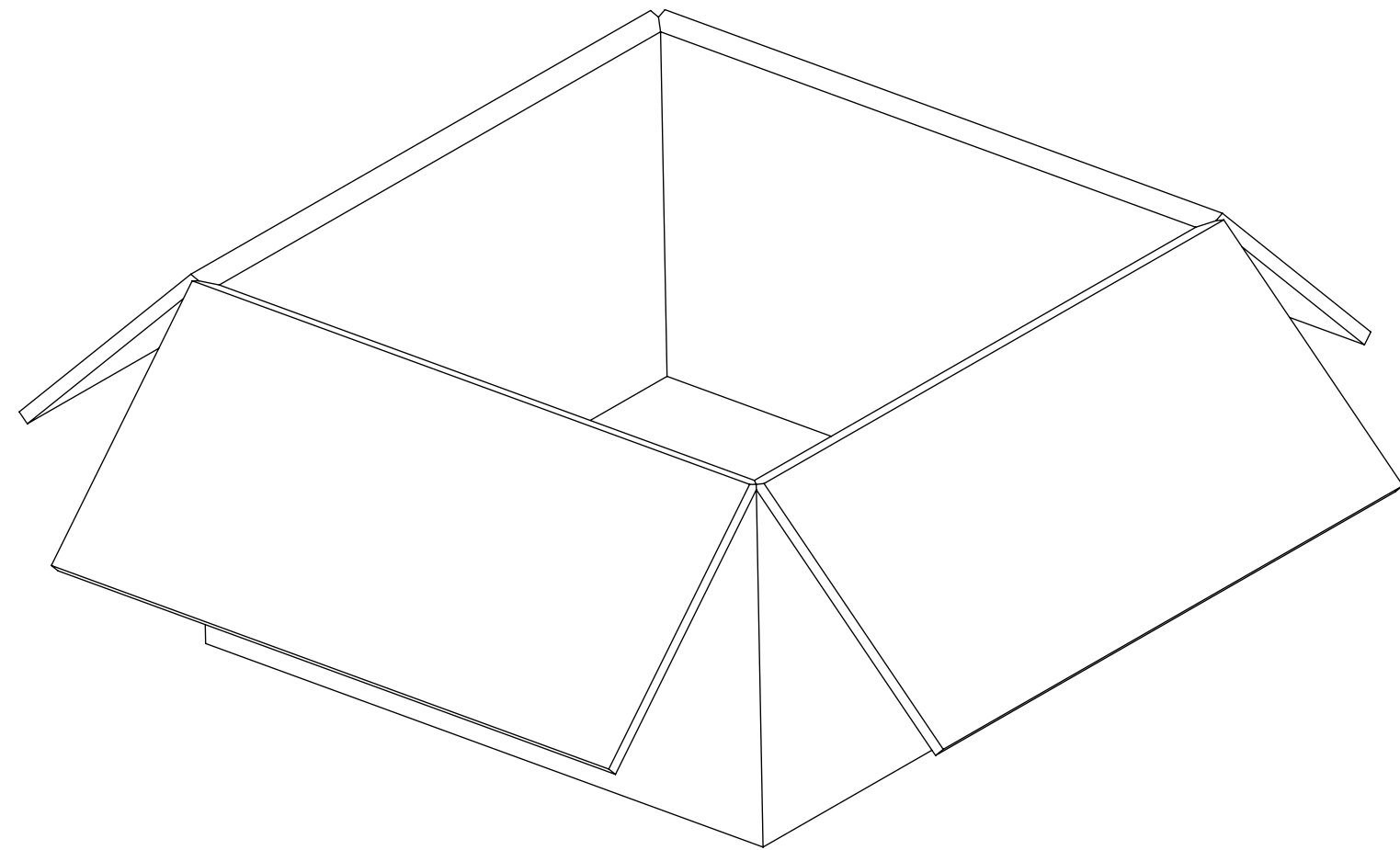
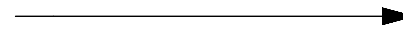
PART NO : 73366-0060
 PART NO : 73366-0061
 PART NO : 73366-0063
 PART NO : 73366-0065
 PART NO : 73366-6190



80 SET PER TRAY
 P/N: 89707-0190



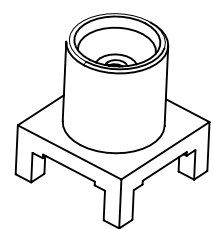
1600 SET PER INNER CARTON BOX
 P/N: 96707-0001
 L371mm X W184mm X D192mm



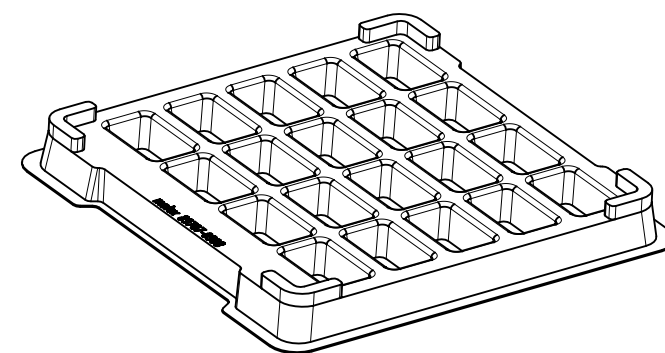
3200 SET PER OUTER CARTON BOX
 P/N: 96708-0005
 L394mm X W391mm X D212mm

FUNCTIONAL SYMBOLS	THIS DRAWING CONTAINS INFORMATION THAT IS PROPRIETARY TO MOLEX ELECTRONIC TECHNOLOGIES, LLC AND SHOULD NOT BE USED WITHOUT WRITTEN PERMISSION												
	DIMENSION UNITS	SCALE	CURRENT REV DESC:							molex			
$\frac{E}{A} = 0$	MM/INCH	NTS	EWR # 15425-A ADDED TRAY PACKING DRAWING										
DIVISIONAL SYMBOLS	GENERAL TOLERANCES (UNLESS SPECIFIED)												
	$\frac{E}{C} = 0$	ANGULAR TOL $\pm 2.0^\circ$											
DIVISIONAL SYMBOLS	4 PLACES \pm		EC NO: 720553							2022/09/07			
	3 PLACES \pm		DRWN: JSU18							2022/09/13			
	2 PLACES \pm		CHK'D: YCHENG							2022/09/13			
	1 PLACE \pm		APPR: YCHENG							2022/09/13			
0 PLACES \pm		INITIAL REVISION:							DOCUMENT NUMBER		DOC TYPE	DOC PART	REVISION
DRAFT WHERE APPLICABLE MUST REMAIN WITHIN DIMENSIONS		THIRD ANGLE PROJECTION		DRAWING	SERIES	MATERIAL NUMBER		CUSTOMER		SHEET NUMBER			
				C-SIZE	73366	SD-73366-006		GENERAL MARKET		PSD	001	C3	

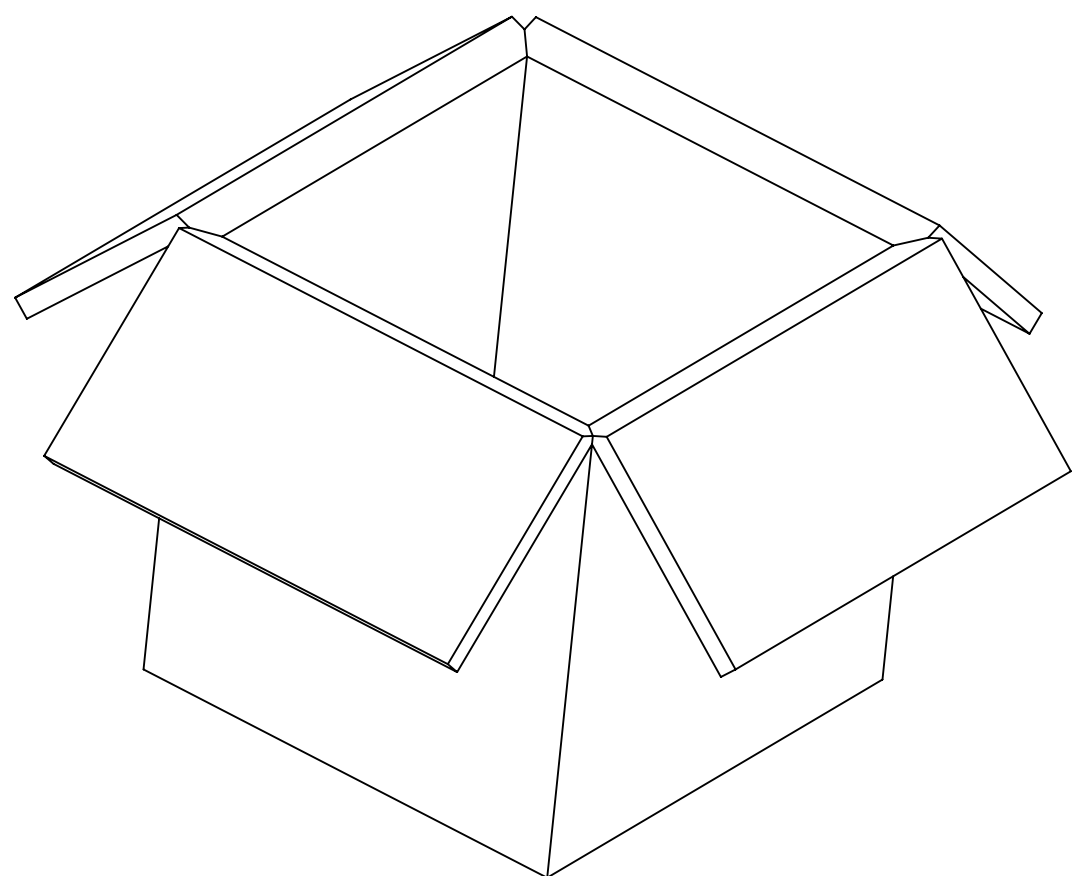
DOCUMENT STATUS	P1	RELEASE DATE	2022/09/13	09:16:28
-----------------	----	--------------	------------	----------



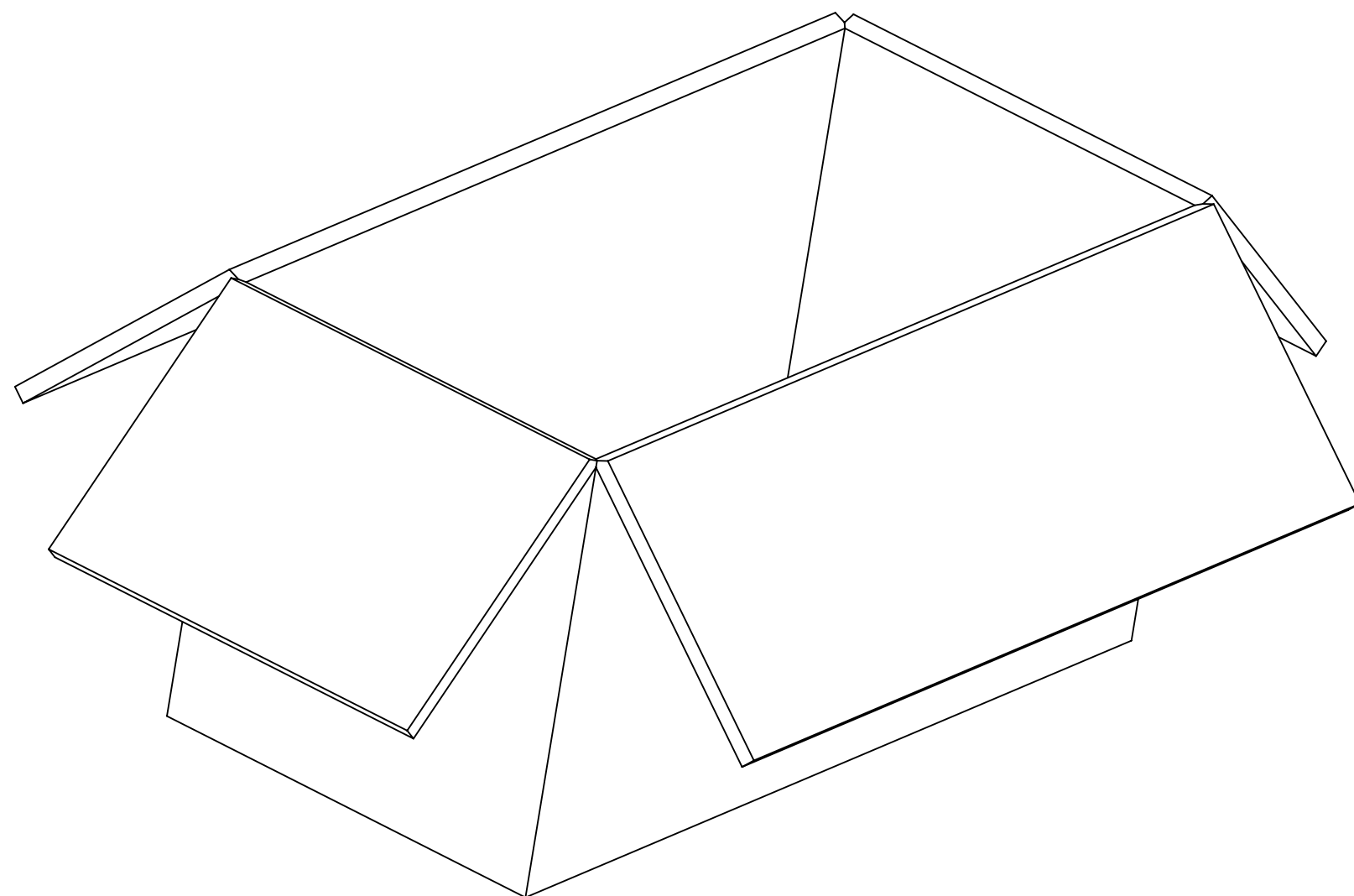
PART NO : 73366-0068



20 SET PER TRAY
P/N: 89707-0308



200 SET PER INNER CARTON BOX
P/N: 96707-0005
L176mm X W173mm X D176mm



400 SET PER OUTER CARTON BOX
P/N: 96707-0002
L572mm X W184mm X D192mm

FUNCTIONAL SYMBOLS	THIS DRAWING CONTAINS INFORMATION THAT IS PROPRIETARY TO MOLEX ELECTRONIC TECHNOLOGIES, LLC AND SHOULD NOT BE USED WITHOUT WRITTEN PERMISSION										
	DIMENSION UNITS	SCALE	CURRENT REV DESC:								
$\frac{E}{A} = 0$	MM/INCH	NTS	EWR # 15425-A ADDED TRAY PACKING DRAWING								
$\frac{E}{C} = 0$	GENERAL TOLERANCES (UNLESS SPECIFIED)		EC NO: 720553							MCX JACK VERT PCB TH 50 OHMS MCX-J/PCB EWR-3263	
$\frac{E}{P} = 0$	ANGULAR TOL $\pm 2.0^\circ$		DRWN: JSU18 2022/09/07							PRODUCT CUSTOMER DRAWING	
DIVISIONAL SYMBOLS	4 PLACES \pm		CHK'D: YCHENG 2022/09/13							DOCUMENT NUMBER	
	3 PLACES \pm		APPR: YCHENG 2022/09/13							DOC TYPE	
	2 PLACES \pm		INITIAL REVISION:							DOC PART	
	1 PLACE \pm		DRWN: JTSAO 2006/04/20							REVISION	
0 PLACES \pm		APPR: MISEN 2001/03/01							SD-73366-006		
DRAFT WHERE APPLICABLE MUST REMAIN WITHIN DIMENSIONS			THIRD ANGLE PROJECTION	DRAWING	SERIES	MATERIAL NUMBER		CUSTOMER		SHEET NUMBER	
				C-SIZE	73366	GENERAL MARKET		001 C3		5 OF 5	

DOCUMENT STATUS	P1	RELEASE DATE	2022/09/13	09:16:28
-----------------	----	--------------	------------	----------

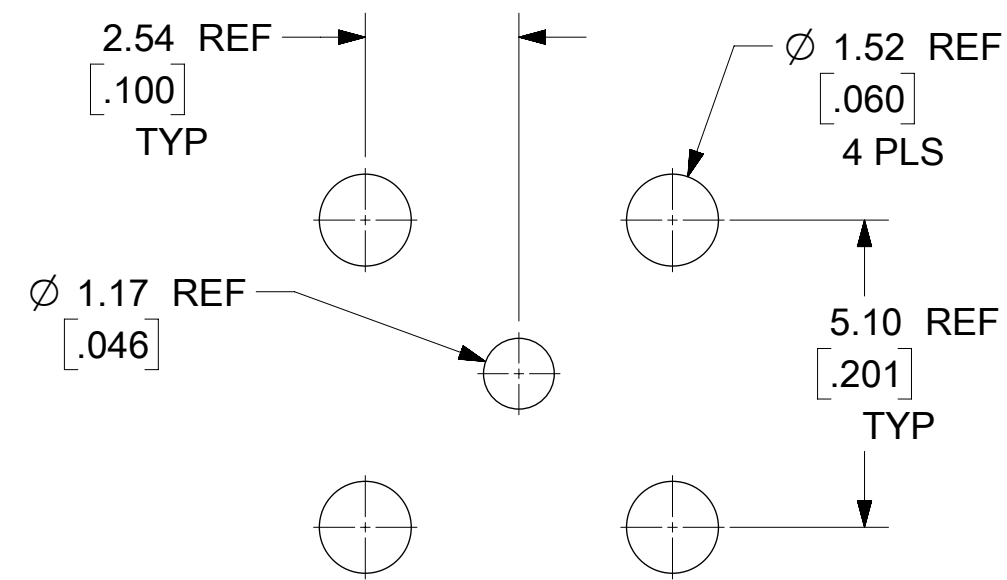
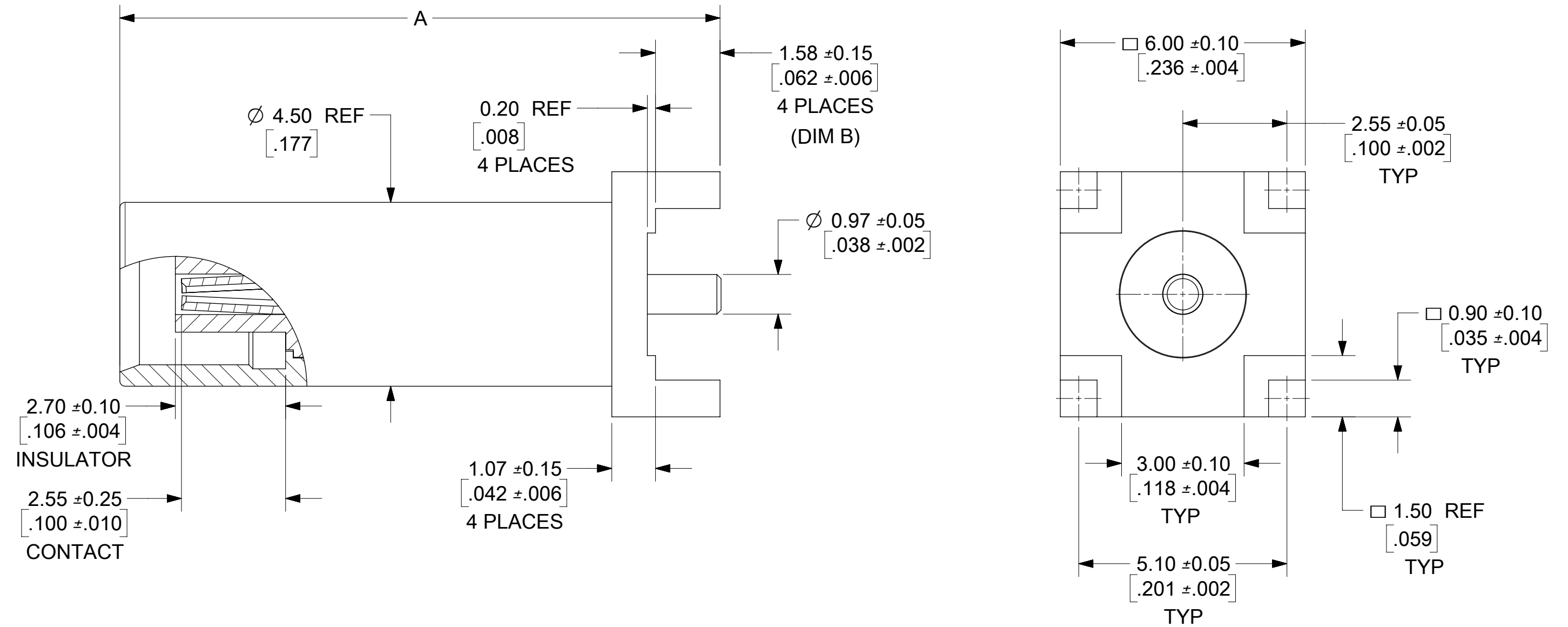
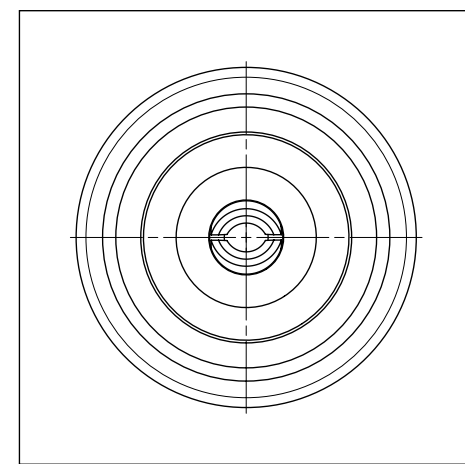
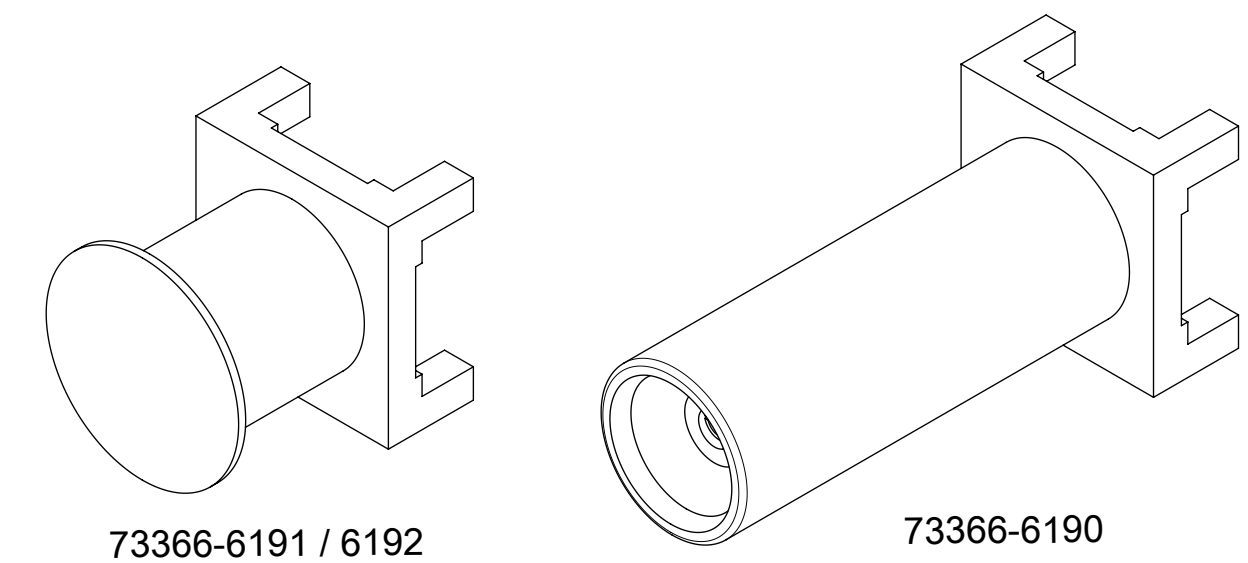
MATERIALS AND FINISHES:

BODY: BRASS
 PLATED: GOLD (1μ-in MIN)
 OVER NICKEL (50μ-in MIN)

CONTACT: BERYLLIUM COPPER
 PLATED: SEE TABLE

INSULATOR: PTFE

KAPTON: POLYIMIDE
 COLOR: BLACK
 (TAPE & REEL PACKAGE)



RECOMMENDED HOLE LAYOUT

73366-6192	7.10	.280	GOLD (1μ-in MIN) OVER NICKEL (50μ-in MIN)	TAPE & REEL
73366-6191	7.10	.280	GOLD (30μ-in MIN) OVER NICKEL (50μ-in MIN)	73366-0061 TAPE & REEL
73366-6190	14.70	.579	GOLD (10μ-in MIN) OVER NICKEL (100μ-in MIN)	TRAY
PART NO.	MM	IN	PLATING (CONTACT)	PACKAGE
	DIM A (REF)			

NOTE:
 SEE SD-73366-006 FOR CONTINUATION OF
 TABULATION AND TAPE & REEL DRAWING

73366-0069	.280±.006	7.10±0.15	.062±.006	1.57±0.15	GOLD 1u" MIN.	1 PC 73366-0061 PER BAG
73366-0068	.280±.006	7.10±0.15	.062±.006	1.57±0.15	NICKEL 70u" MIN.	73366-0060 SMALL TRAY
73366-0067	.280±.006	7.10±0.15	.062±.006	1.57±0.15	NICKEL 70u" MIN.	1 PC 73366-0060 PER BAG
73366-0066	.236±.006	5.99±0.15	.019±.006	0.50±0.15	GOLD 1u" MIN.	73366-0065 TAPE & REEL
73366-0065	.236±.006	5.99±0.15	.019±.006	0.50±0.15	GOLD 1u" MIN.	TRAY
73366-0064	.236±.006	5.99±0.15	.019±.006	0.50±0.15	NICKEL 70u" MIN.	73366-0063 TAPE & REEL
73366-0063	.236±.006	5.99±0.15	.019±.006	0.50±0.15	NICKEL 70u" MIN.	TRAY
73366-0062	.280±.006	7.10±0.15	.062±.006	1.57±0.15	NICKEL 70u" MIN.	73366-0060 TAPE & REEL
73366-0061	.280±.006	7.10±0.15	.062±.006	1.57±0.15	GOLD 1u" MIN.	TRAY
73366-0060	.280±.006	7.10±0.15	.062±.006	1.57±0.15	NICKEL 70u" MIN.	TRAY
PART NO.	IN	MM	IN	MM	PLATING	PACKAGE
DIM (X)	DIM A		DIM B		BODY	

SYMBOLS	THIS DRAWING CONTAINS INFORMATION THAT IS PROPRIETARY TO MOLEX ELECTRONIC TECHNOLOGIES, LLC AND SHOULD NOT BE USED WITHOUT WRITTEN PERMISSION		
	DIMENSION UNITS	SCALE	CURRENT REV DESC: MIGRATED AND REVISED
▽ = 0	HYBRID	NTS	EC NO: 611420 DRWN: CWEI02 2019/02/20 CHK'D: YCHENG 2019/02/20 APPR: YCHENG 2019/02/20 INITIAL REVISION: DRWN: AZR 2009/10/14 APPR: WSPINK 2014/04/10
▽ = 0	GENERAL TOLERANCES (UNLESS SPECIFIED)		
▽ = 0	MM	INCH	
▽ = 0	4 PLACES ±	±	
▽ = 0	3 PLACES ±	± 0.01	
▽ = 0	2 PLACES ±	± 0.25 ±	
▽ = 0	1 PLACE ±	±	
▽ = 0	0 PLACES ±	±	
▽ = 0	ANGULAR TOL	± 2.0°	
▽ = 0	DRAFT WHERE APPLICABLE MUST REMAIN WITHIN DIMENSIONS	THIRD ANGLE PROJECTION	DRAWING C-SIZE SERIES 73366
DOCUMENT STATUS		P1	RELEASE DATE 2019/02/20 07:02:17 DOCUMENT NUMBER SD-73366-619 DOC TYPE PSD DOC PART 000 REVISION A3 MATERIAL NUMBER SEE TABLE CUSTOMER SHEET NUMBER 1 OF 1