

MODELS:

# SR25UB / SR25UBEXP

SmartRack® 25U Standard-Depth Server Rack Enclosure Cabinet  
(with or without side panels)



25 Rack Units



3000 lb.  
Stationary  
Load Capacity



2250 lb.  
Rolling  
Load Capacity



Heavy-Duty  
Casters



Locking Doors &  
Side Panels



Standard  
19 in.  
Rack Width



Toolless  
Mounting Slots



Adjustable  
Rails with  
Easy-View  
Depth Index



Airflow  
Exceeds  
Server OEM  
Requirements



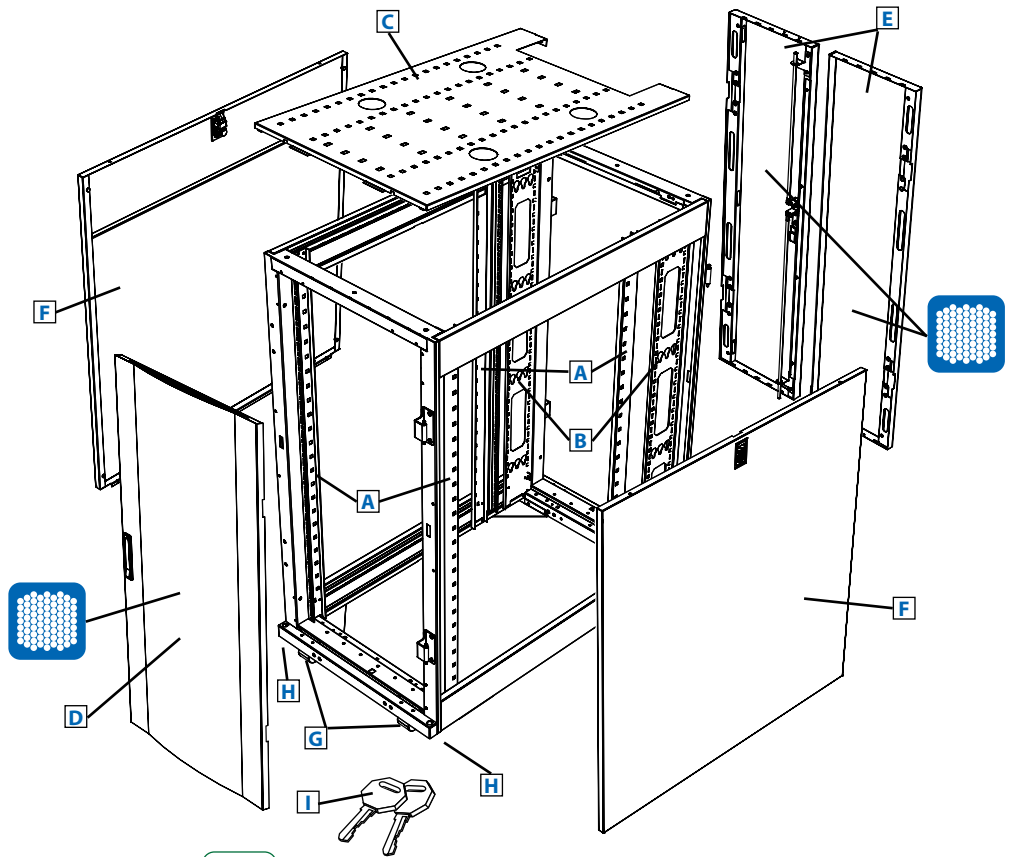
Integrated  
Baying Tabs



Square Hole  
Mounting

- A** Adjustable Mounting Rails
- B** Adjustable PDU Mounting Rails with Toolless Mounting Slots
- C** Roof Panel (Removable)
- D** Front Door (Lockable/Removable/Reversible)
- E** Split Rear Doors (Lockable/Removable)
- F** Side Panels (not included with SR25UBEXP) (Lockable/Removable)
- G** Heavy-Duty Casters
- H** Heavy-Duty Levelers
- I** Keys (For doors and side panels)

Also Includes: Owner's manual, 2 shipping/stabilizing brackets and equipment-mounting hardware (50 M6 cage nuts, 50 M6 washers, 50 M6 screws)



## Specifications

<b>Model</b>	<b>SR25UB</b>
Rack Spaces	25U
Stationary Load Capacity	3000 lb. (1363 kg)
Rolling Load Capacity	2250 lb. (1022 kg)
Unit Dimensions (H x W x D)	48.7 x 23.6 x 41.3 in. (1237 x 599 x 1049 mm)
Shipping Dimensions (H x W x D)	55 x 27.75 x 47 in. (1397 x 705 x 1194 mm)
Unit Weight	195 lb. (88.6 kg)
Shipping Weight	237 lb. (107.5 kg)
Standards	Meets EIA/ECA-310-E, RoHS, CE and UL 60950 (accommodates all standard 19 in. rack-mount equipment regardless of vendor)
<b>Model</b>	<b>SR25UBEXP</b> (Identical to SR25UB without side panels.)
Unit Weight	163 lb. (73.9 kg)
Shipping Weight	200 lb. (90.7 kg)



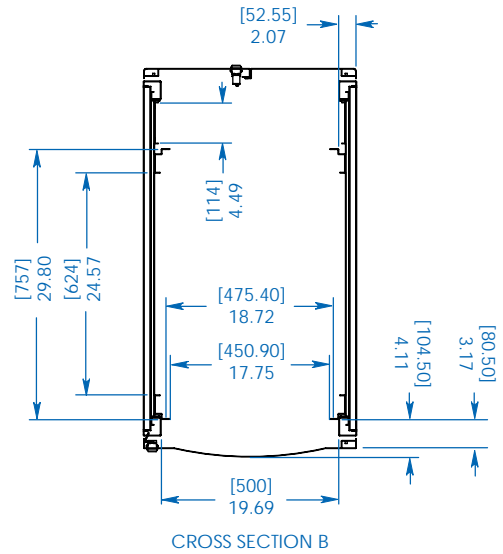
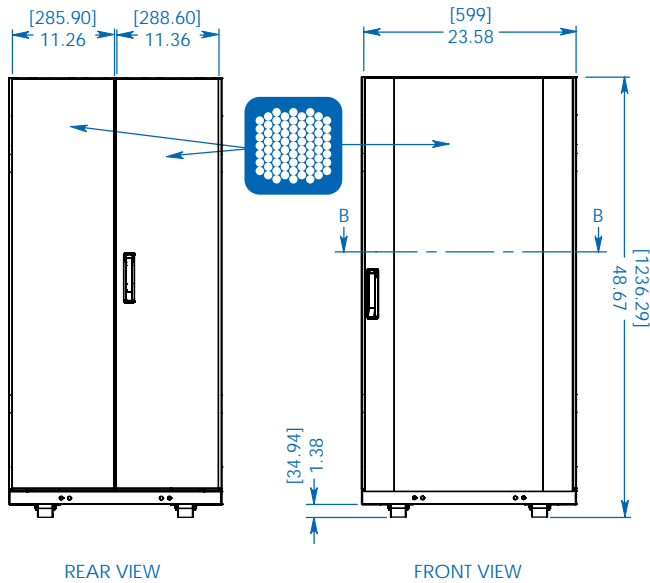
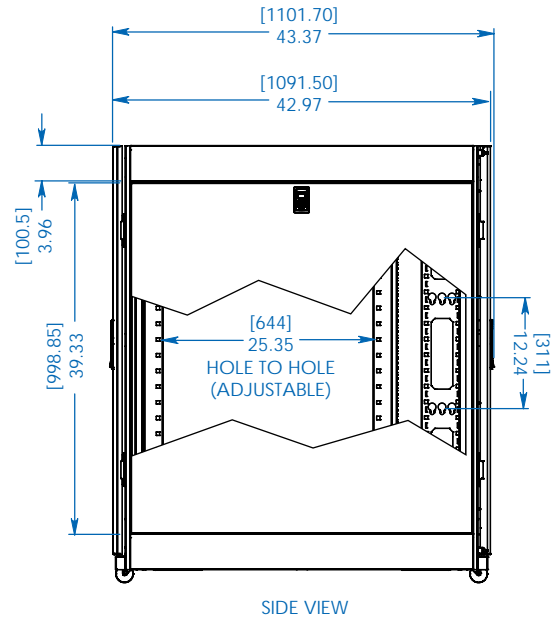
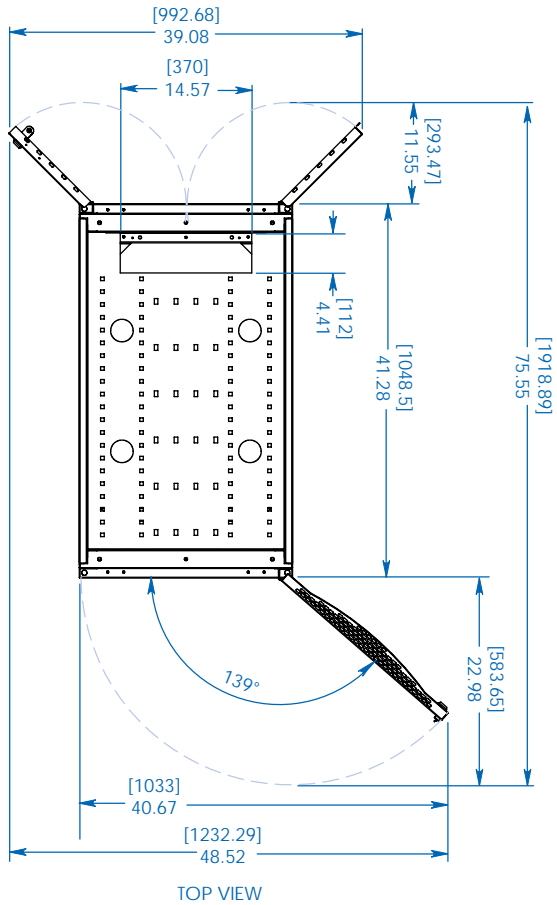
- Ships fully assembled for rapid deployment, but can be knocked down for easy reassembly in confined spaces
- Rolls into place on heavy-duty pre-installed removable casters
- Ideal for rack-mount server, network and telecom applications

**SEE NEXT PAGE FOR DETAILED UNIT MEASUREMENTS**



1111 W. 35th Street  
Chicago, IL 60609 USA  
773.869.1234  
www.tripplite.com

Also Available: Shock pallet models with special packaging to facilitate equipment pre-installation and reshipment to final site. Heavy-duty shock pallet holds up to 1250 lb. (568 kg), including the weight of the enclosure and pre-installed equipment. Add "SP1" to model numbers above to order shock pallet models.

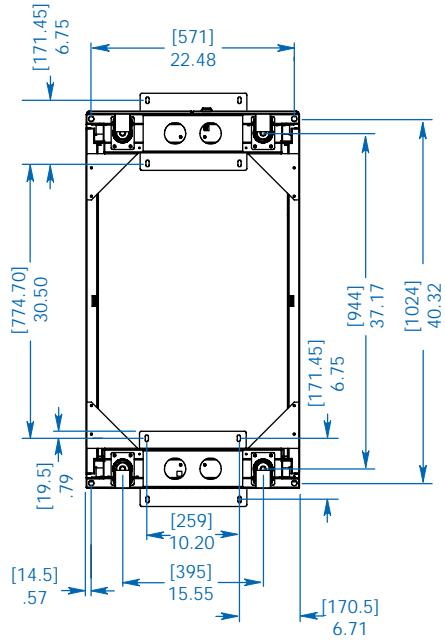


MODELS:  
**SR25UB**  
**SR25UBEXP**

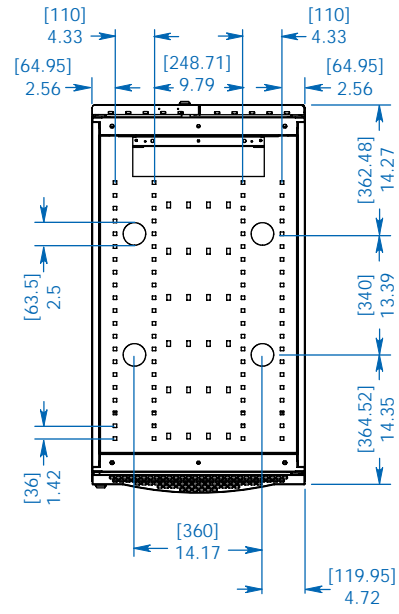


Dimensions: [mm] INCHES

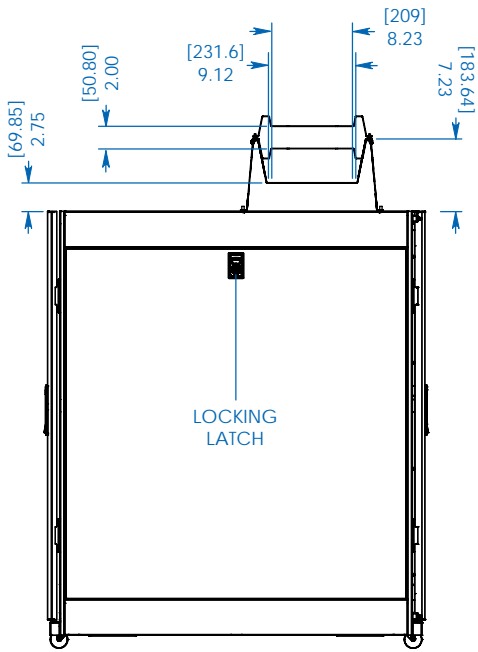
Tripp Lite has a policy of continuous improvement. Specifications are subject to change without notice.



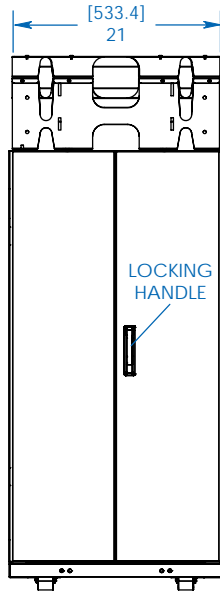
BOTTOM VIEW



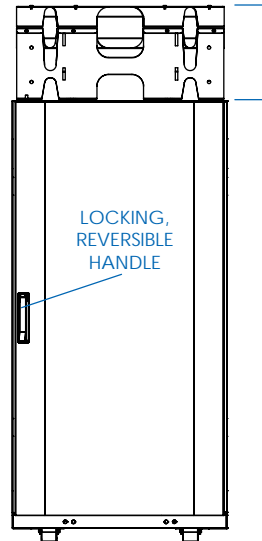
TOP VIEW



SIDE VIEW



REAR VIEW



FRONT VIEW

OPTIONAL SRCABLETRAY AND SRCABLETRAYEXP CABLE MANAGEMENT ACCESSORIES SHOWN (MOUNTING POSITION ADJUSTS TO ACCOMMODATE A WIDE RANGE OF APPLICATIONS)

MODELS:  
**SR25UB**  
**SR25UBEXP**



1111 W. 35th Street  
 Chicago, IL 60609 USA  
 773.869.1234  
 www.tripplite.com

Dimensions: [mm] INCHES

Tripp Lite has a policy of continuous improvement. Specifications are subject to change without notice.