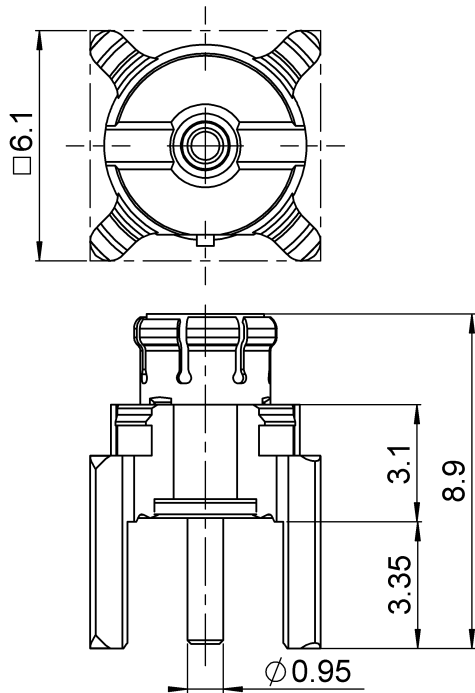
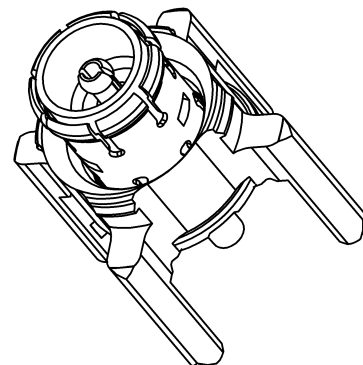
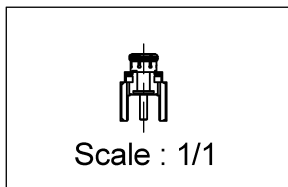
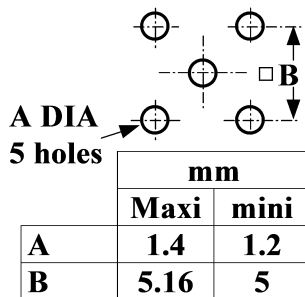


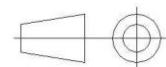
PAGE 1/3	ISSUE 25-01-16C	SERIES MMBX	PART NUMBER R223435000
----------	-----------------	-------------	------------------------



PANEL CUT OUT



All dimensions are in mm.



COMPONENTS	MATERIALS	PLATING (μm)
Body	BERYLLIUM COPPER; BRASS	NPGR
Center contact	BERYLLIUM COPPER; BRASS	NPGR
Outer contact	-	-
Insulator	LIQUID CHRYSTAL POLYMER,PTFE	-
Gasket	-	-
Others parts	-	-
-	-	-
-	-	-

PAGE 2/3	ISSUE 25-01-16C	SERIES MMBX	PART NUMBER R223435000
----------	------------------------	--------------------	-------------------------------

PACKAGING

Standard	Unit	Other
100	Contact us	Contact us

ELECTRICAL CHARACTERISTICS

Impedance		50	Ω
Frequency		0-12.4	GHz
VSWR	1.083*	+	0.0000 x F(GHz) Maxi
Insertion loss		0.12	√F(GHz) dB Maxi
RF leakage	- (100**	- F(GHz)) dB Maxi
Voltage rating		330	Veff Maxi
Dielectric withstanding voltage		1000	Veff mini
Insulation resistance		1000	MΩ mini

ENVIRONMENTAL

Operating temperature	-55/+155	°C
Hermetic seal	NA	Atm.cm3/s
Panel leakage	NA	

MECHANICAL CHARACTERISTICS

Center contact retention			
Axial force – Mating End	10	N mini	
Axial force – Opposite end	10	N mini	
Torque	NA	N.cm mini	
Recommended torque			
Mating	NA	N.cm	
Panel nut	NA	N.cm	
Mating life	100	Cycles mini	
Weight	0.4700	g	

SPECIFICATION

OTHER CHARACTERISTICS

Assembly instruction:**NA**

Others:

***to 6 GHz**

****Interface MMBX only up to 2.6 GHz**

PCB to PCB -45dB up to 2.5 GHz

PAGE 3/3	ISSUE 25-01-16C	SERIES MMBX	PART NUMBER R223435000
----------	-----------------	-------------	------------------------

MMBX SERIES INFORMATIONS

PCB

