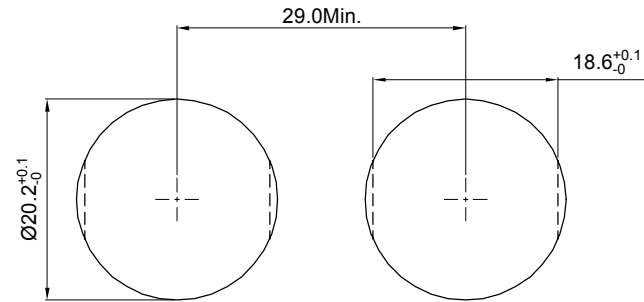


NOTE:

- MATERIAL AND FINISH
SHELL ASSEMBLY: COPPER ALLOY, OUTER SHELL AND COLLECT NUT Cr PLATING, OTHER METALLIC COMPONENTS Ni PLATING
INSULATOR: PEEK
CONTACT: COPPER ALLOY, GOLD PLATING OVER Ni
- DURABILITY: 5000 CYCLES
- PROTECTION INDEX(MATED): IP66/IP68, IP68 ACHIEVED PROVIDING THAT THE CABLE IS PERFECTLY CIRCULAR AND THAT ASSEMBLY PROCESS ENSURES A HIGH INTEGRITY SEAL.
- HUMIDITY: UP TO 95% AT 60°C
- TEMPERATURE: -55°C, +200°C
- ROHS COMPLIANCE
- PART NO.:



PANEL CUT-OUT

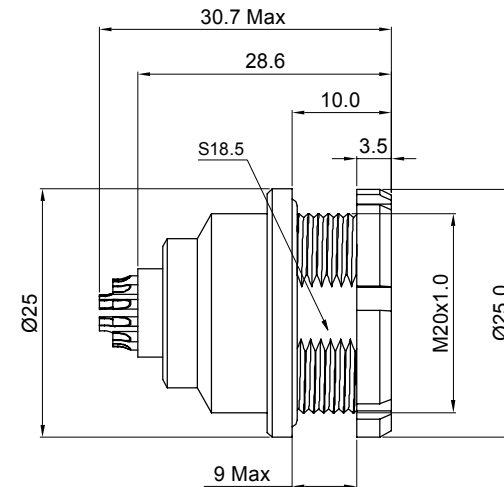
R - F 2 K N ** 0 * 0 0 * 0 0

CONTACT POS.
02-32=2pin-32pin

SHELL MATERIAL
0=Brass

CODE	CONTACT TYPE
4	Female Solder Contact
2	Male Solder Contact

CODE	KEY ANGLES
0	0°
A	30°
B	60°
..	..



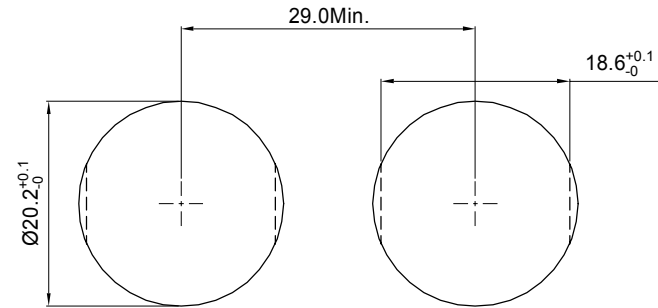
REV.	DESCRIPTION	DATE
X4	UPDATE DWG.	12/10'17
X3	UPDATE VIEW	05/15'17

UNITS: ■ mm □ inch	SIZE A3	NAME: Snap Latch Metal 2KN Fixed Socket With Back Mounting	 NEXTRONICS ENGINEERING CORP.						
GENERAL TOLERANCE: (UNLESS SPECIFIED)		PART NO: R-F2KN**0*00*00		TITLE: CUSTOMER DWG.					
4 PLACE ± **	mm inch ± **	APPD: Alex梁良駒 2019/12/13	DWG NO: 010-0000-E32						
3 PLACE ± 0.10	mm inch ± **	CHKD: Ken張永 2019/12/13	<table border="1"> <tr> <th>SCALE</th> <th>SHEET</th> <th>REV.</th> </tr> <tr> <td>2/1</td> <td>1/6</td> <td>X4</td> </tr> </table>	SCALE	SHEET	REV.	2/1	1/6	X4
SCALE	SHEET	REV.							
2/1	1/6	X4							
2 PLACE ± 0.30	mm inch ± **	DRAW: Ellen孫郁婷 2019/12/11	<table border="1"> <tr> <th>SCALE</th> <th>SHEET</th> <th>REV.</th> </tr> <tr> <td>2/1</td> <td>1/6</td> <td>X4</td> </tr> </table>	SCALE	SHEET	REV.	2/1	1/6	X4
SCALE	SHEET	REV.							
2/1	1/6	X4							
1 PLACE ± 0.50	mm inch ± **	DESIGN: Cayley梁思雅 2019/12/10							
ANGLES X° ± 2°									

CONFIDENTIAL: THIS DOCUMENT CONTAINED THE INFORMATION IS PROPRIETARY AND CONFIDENTIAL TO NextTronics Engineering Corp. NO PERSON IS ALLOWED TO USE COPY, PUBLISH OR OTHERWISE DISCLOSE THE INFORMATION TO OTHERS, UNLESS BY THE PRIOR WRITTEN EXPRESS AUTHORIZATION OF NextTronics Engineering Corp. (C)COPYRIGHT- NextTronics Engineering Corp.

NOTE:

- MATERIAL AND FINISH
SHELL ASSEMBLY: COPPER ALLOY, OUTER SHELL AND COLLECT NUT Cr PLATING, OTHER METALLIC COMPONENTS Ni PLATING
INSULATOR: PEEK
CONTACT: COPPER ALLOY, GOLD PLATING OVER Ni
- DURABILITY: 5000 CYCLES
- PROTECTION INDEX(MATED): IP66/IP68, IP68 ACHIEVED PROVIDING THAT THE CABLE IS PERFECTLY CIRCULAR AND THAT ASSEMBLY PROCESS ENSURES A HIGH INTEGRITY SEAL.
- HUMIDITY: UP TO 95% AT 60°C
- TEMPERATURE: -55°C,+200°C
- ROHS COMPLIANCE
- PART NO.:



PANEL CUT-OUT

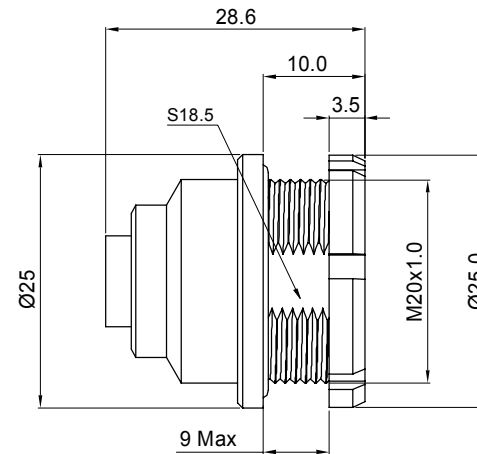
R - F 2 K N * * 0 * 0 0 * 0 0

CONTACT POS.
02-32=2pin-32pin

SHELL MATERIAL
0=Brass

CODE	CONTACT TYPE
M	Crimp Female Contact
C	Crimp Male Contact

CODE	KEY ANGLES
0	0°
A	30°
B	60°
..	..

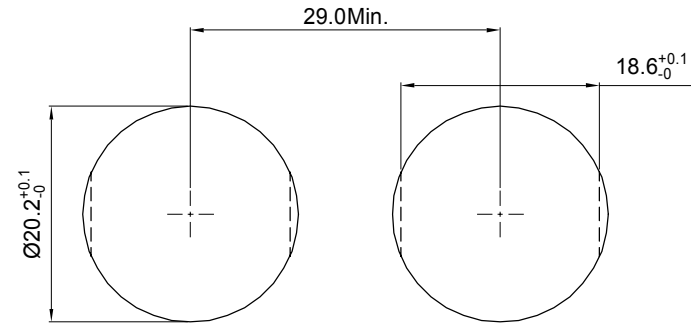


REV.	DESCRIPTION	DATE
X4	UPDATE DWG.	12/10'17
X3	UPDATE VIEW	05/15'17

UNITS: ■ mm □ inch	SIZE A3	NAME: Snap Latch Metal 2KN Fixed Socket With Back Mounting	 NEXTRONICS ENGINEERING CORP.								
GENERAL TOLERANCE: (UNLESS SPECIFIED)		PART NO: R-F2KN**0*00*00	TITLE: CUSTOMER DWG.								
4 PLACE ± **	mm ± 0.10	APPD: Alex梁良駒 2019/12/13	DWG NO: 010-0000-E32								
3 PLACE ± 0.30	inch ± .005	CHKD: Ken張永 2019/12/13	<table border="1"> <tr> <td>SCALE</td> <td>SHEET</td> <td>REV.</td> </tr> <tr> <td>2/1</td> <td>2/6</td> <td>X4</td> </tr> </table>			SCALE	SHEET	REV.	2/1	2/6	X4
SCALE	SHEET	REV.									
2/1	2/6	X4									
2 PLACE ± 0.50	mm ± 0.50	DRAW: Ellen孫郁婷 2019/12/11									
ANGLES X° ± 2°	inch ± .005	DESIGN: Cayley梁思雅 2019/12/10									

CONFIDENTIAL: THIS DOCUMENT CONTAINED THE INFORMATION IS PROPRIETARY AND CONFIDENTIAL TO Nexttronics Engineering Corp. NO PERSON IS ALLOWED TO USE COPY, PUBLISH OR OTHERWISE DISCLOSE THE INFORMATION TO OTHERS, UNLESS BY THE PRIOR WRITTEN EXPRESS AUTHORIZATION OF Nexttronics Engineering Corp. (C)COPYRIGHT- Nexttronics Engineering Corp.

- NOTE:
- MATERIAL AND FINISH
SHELL ASSEMBLY: COPPER ALLOY, OUTER SHELL AND COLLECT NUT Cr PLATING, OTHER METALLIC COMPONENTS Ni PLATING
INSULATOR: PEEK
CONTACT: COPPER ALLOY, GOLD PLATING OVER Ni
 - DURABILITY: 5000 CYCLES
 - PROTECTION INDEX(MATED): IP66/IP68, IP68 ACHIEVED PROVIDING THAT THE CABLE IS PERFECTLY CIRCULAR AND THAT ASSEMBLY PROCESS ENSURES A HIGH INTEGRITY SEAL.
 - HUMIDITY: UP TO 95% AT 60°C
 - TEMPERATURE: -55°C,+200°C
 - ROHS COMPLIANCE
 - PART NO.:



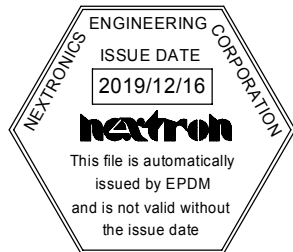
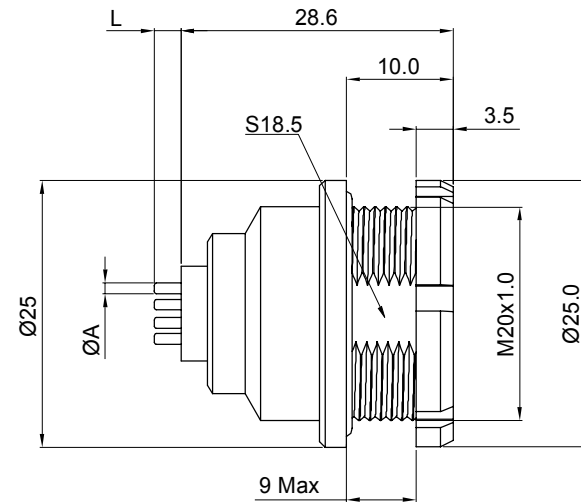
PANEL CUT-OUT

R - F 2 K N * * 0 * 0 0 * 0 0

CONTACT POS.	02-32=2pin-32pin
SHELL MATERIAL	0=Brass

CODE	CONTACT TYPE
1	Male Print Contact
3	Female Print Contact

CODE	KEY ANGLES
0	0°
A	30°
B	60°
..	..



REV.	DESCRIPTION	DATE
X4	UPDATE DWG.	12/10'17
X3	UPDATE VIEW	05/15'17

UNITS: ■ mm □ inch	SIZE A3	NAME: Snap Latch Metal 2KN Fixed Socket With Back Mounting	 NEXTRONICS ENGINEERING CORP.		
GENERAL TOLERANCE: (UNLESS SPECIFIED)		PART NO: R-F2KN**0*00*00		TITLE: CUSTOMER DWG.	
4 PLACE ± **	mm ± **	inch ± **	APPD: Alex梁良駒 2019/12/13	DWG NO: 010-0000-E32	 SCALE SHEET REV. 2/1 3/6 X4
3 PLACE ± 0.10	mm ± **	inch ± **	CHKD: Ken張永 2019/12/13	 SCALE SHEET REV. 2/1 3/6 X4	
2 PLACE ± 0.30	mm ± **	inch ± **	DRAW: Ellen孫郁婷 2019/12/11		 SCALE SHEET REV. 2/1 3/6 X4
1 PLACE ± 0.50	mm ± **	inch ± **	DESIGN: Cayley梁思雅 2019/12/10	 SCALE SHEET REV. 2/1 3/6 X4	
ANGLES X°± 2°					

CONFIDENTIAL: THIS DOCUMENT CONTAINED THE INFORMATION IS PROPRIETARY AND CONFIDENTIAL TO Nexttronics Engineering Corp. NO PERSON IS ALLOWED TO USE COPY, PUBLISH OR OTHERWISE DISCLOSE THE INFORMATION TO OTHERS, UNLESS BY THE PRIOR WRITTEN EXPRESS AUTHORIZATION OF Nexttronics Engineering Corp. (C)COPYRIGHT- Nexttronics Engineering Corp.

1 2 3 4 5 6 7 8

A

B

C

D

E

view from termination side pin part

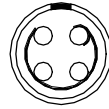
2 POS.



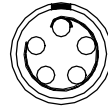
3 POS.



4 POS.



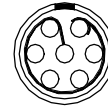
5 POS.



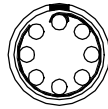
6 POS.



7 POS.



8 POS.



10 POS.



12 POS.



14 POS.



16 POS.



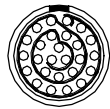
18 POS.



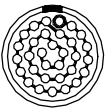
19 POS.



26 POS.



32 POS.

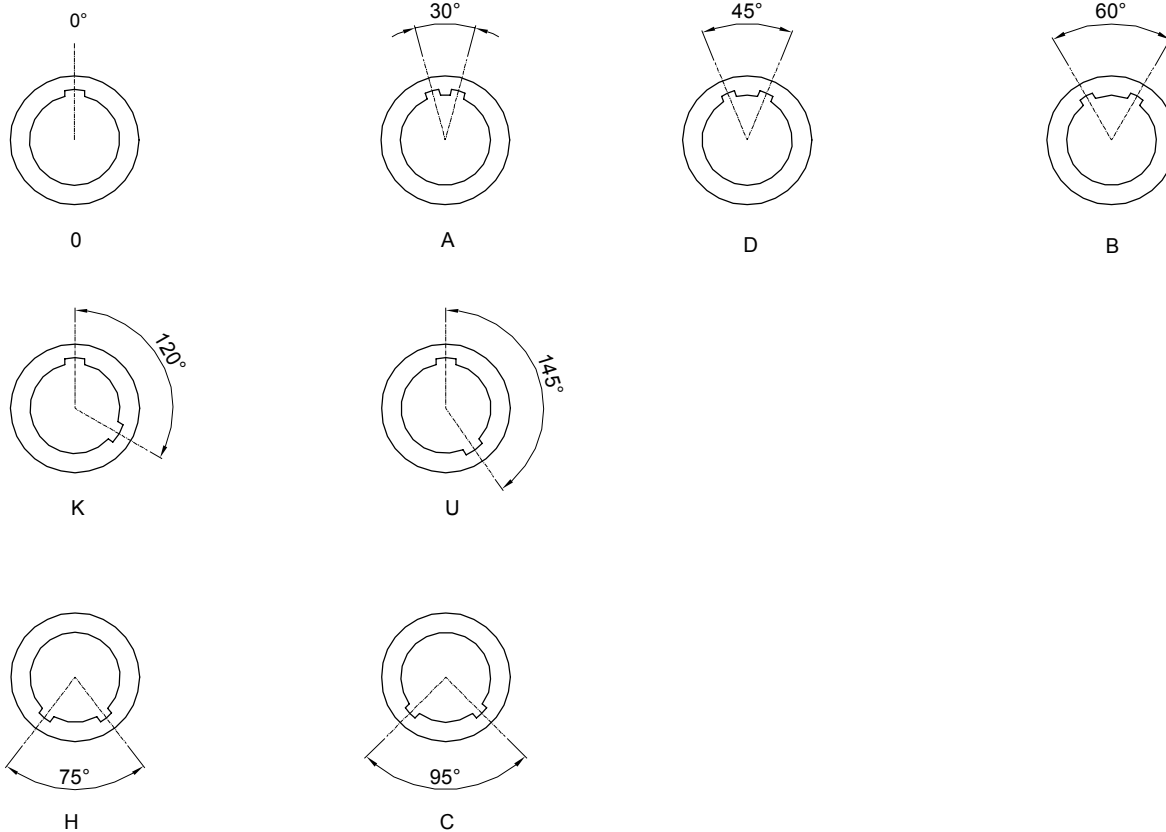


X4	UPDATE DWG.	12/10'17
X3	UPDATE VIEW	05/15'17
REV.	DESCRIPTION	DATE

UNITS: ■ mm □ inch	SIZE A3	NAME: Snap Latch Metal 2KN Fixed Socket With Back Mounting	nexttron [®] NEXTRONICS ENGINEERING CORP.		
GENERAL TOLERANCE: (UNLESS SPECIFIED)		PART NO: R-F2KN**0*00*00	TITLE: CUSTOMER DWG.		
4 PLACE	± **	mm	APPD: Alex梁良駒	2019/12/13	DWG NO: 010-0000-E32
3 PLACE	± 0.10	inch	CHKD: Ken張永	2019/12/13	
2 PLACE	± 0.30	mm	DRAW: Ellen孫郁婷	2019/12/11	SCALE SHEET REV. 2/1 4/6 X4
1 PLACE	± 0.50	inch	DESIGN: Cayley梁思雅	2019/12/10	
ANGLES	X ± 2°				

CONFIDENTIAL: THIS DOCUMENT CONTAINED THE INFORMATION IS PROPRIETARY AND CONFIDENTIAL TO Nexttronics Engineering Corp. NO PERSON IS ALLOWED TO USE COPY, PUBLISH OR OTHERWISE DISCLOSE THE INFORMATION TO OTHERS, UNLESS BY THE PRIOR WRITTEN EXPRESS AUTHORIZATION OF Nexttronics Engineering Corp. (C)COPYRIGHT- Nexttronics Engineering Corp.

KEY ANGLES (RECEPTACLE FRONT VIEW):

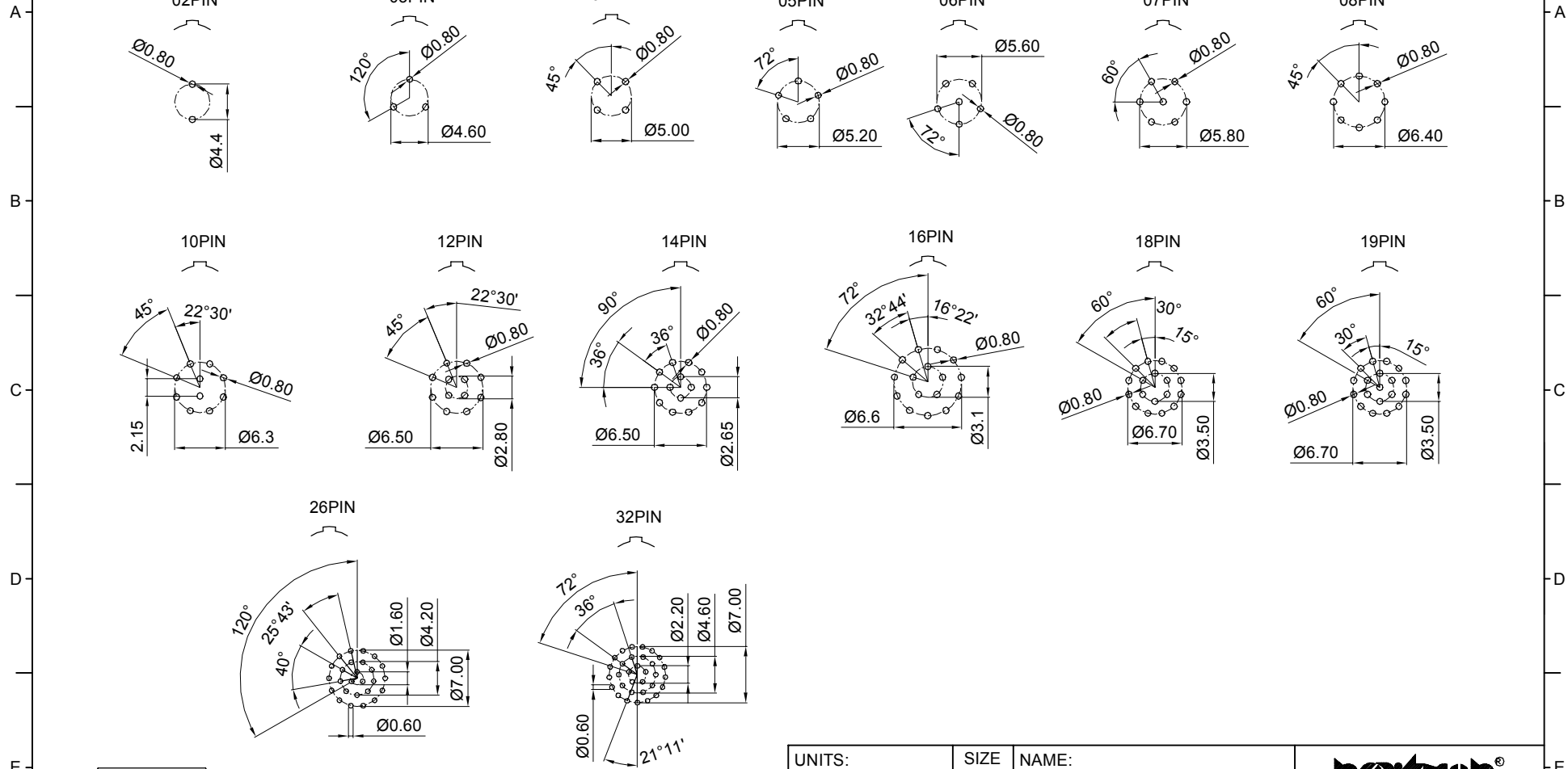


X4	UPDATE DWG.	12/10'17
X3	UPDATE VIEW	05/15'17
REV.	DESCRIPTION	DATE

UNITS: ■ mm □ inch	SIZE A3	NAME: Snap Latch Metal 2KN Fixed Socket With Back Mounting	NEXTRONICS ENGINEERING CORP.	
GENERAL TOLERANCE: (UNLESS SPECIFIED)		PART NO: R-F2KN**0*00*00	TITLE: CUSTOMER DWG.	
	mm	inch	APPD: Alex梁良駒	2019/12/13
4 PLACE	± **	± **	CHKD: Ken張永	2019/12/13
3 PLACE	± 0.10	± **	DRAW: Ellen孫郁婷	2019/12/11
2 PLACE	± 0.30	± **	DESIGN: Cayley梁思雅	2019/12/10
1 PLACE	± 0.50	± **		
ANGLES	X° ± 2°		SCALE	SHEET
			2/1	5/6
			REV.	X4

CONFIDENTIAL: THIS DOCUMENT CONTAINED THE INFORMATION IS PROPRIETARY AND CONFIDENTIAL TO Nexttronics Engineering Corp. NO PERSON IS ALLOWED TO USE COPY, PUBLISH OR OTHERWISE DISCLOSE THE INFORMATION TO OTHERS, UNLESS BY THE PRIOR WRITTEN EXPRESS AUTHORIZATION OF Nexttronics Engineering Corp. (C)COPYRIGHT- Nexttronics Engineering Corp.

1 2 3 4 5 6 7 8



ENGINEERING CORPORATION
 ISSUE DATE
 2019/12/16
nexttron
 This file is automatically issued by EPDM and is not valid without the issue date

X4	UPDATE DWG.	12/10'17
X3	UPDATE VIEW	05/15'17
REV.	DESCRIPTION	DATE

UNITS: ■ mm □ inch	SIZE A3	NAME: Snap Latch Metal 2KN Fixed Socket With Back Mounting	 NEXTRONICS ENGINEERING CORP.
GENERAL TOLERANCE: (UNLESS SPECIFIED)		PART NO: R-F2KN**0*00*00	
4 PLACE ± **	mm ± 0.10	inch ± **	APPD: Alex梁良駒 2019/12/13
3 PLACE ± 0.10	mm ± 0.30	inch ± **	CHKD: Ken張永 2019/12/13
2 PLACE ± 0.30	mm ± 0.50	inch ± **	DRAW: Ellen孫郁婷 2019/12/11
1 PLACE ± 0.50	mm X° ± 2°	inch	DESIGN: Cayley梁思雅 2019/12/10
			DWG NO: 010-0000-E32
			SCALE SHEET REV. 2/1 6/6 X4

CONFIDENTIAL: THIS DOCUMENT CONTAINED THE INFORMATION IS PROPRIETARY AND CONFIDENTIAL TO Nextronics Engineering Corp. NO PERSON IS ALLOWED TO USE COPY, PUBLISH OR OTHERWISE DISCLOSE THE INFORMATION TO OTHERS, UNLESS BY THE PRIOR WRITTEN EXPRESS AUTHORIZATION OF Nextronics Engineering Corp. (C)COPYRIGHT- Nextronics Engineering Corp.