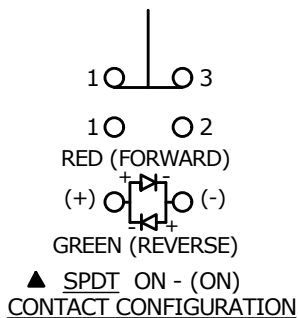


PANEL CUTOUT
MAX. PANEL THICKNESS
11.0mm [.433]

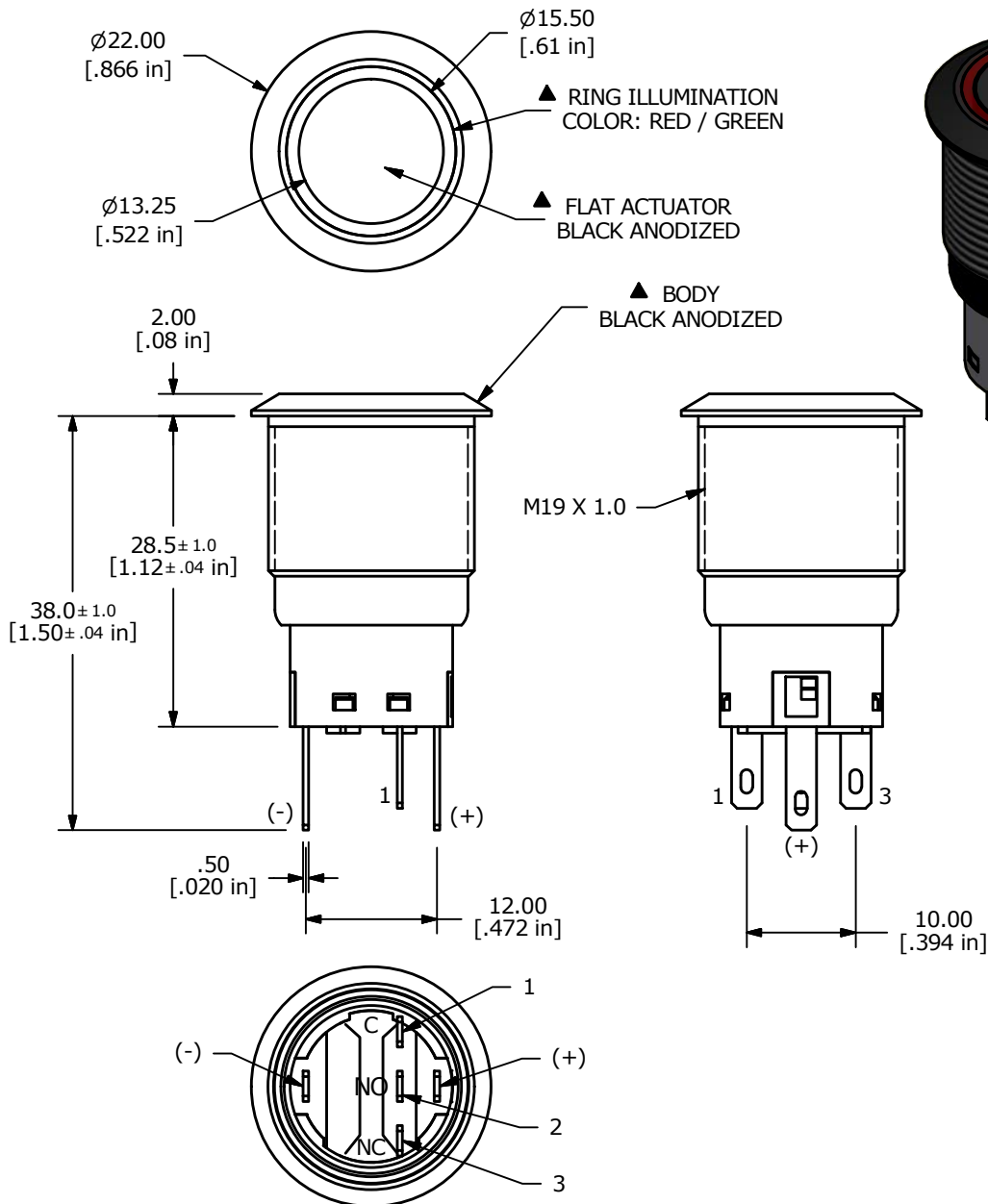
SWITCH FUNCTION	
POS. 1	POS. 2
ON	(ON)
1-3	1-2

() = MOMENTARY



NOTE:

- ALL DIMENSIONS IN MM [INCH]
- GENERAL TOLERANCE: X.X = ±0.4
X.XX = ±0.25
- TERMINAL NUMBERS FOR REF ONLY
- CONTACT MATERIAL: SILVER
- RATING: 2A 24VDC
- ELECTRIC LIFE: 50,000 MAKE-AND-BREAK CYCLES AT FULL LOAD.
- INSULATION RESISTANCE: 1,000 MΩ MIN.
- DIELECTRIC STRENGTH: 2,000 VAC MIN. FOR 1 MINUTE
- CONTACT RESISTANCE: 50mΩ MAX. @ 1A 12VDC
- OPERATING TEMP.: -20°C to 55°C
- TRAVEL: 2.8mm
- ▲ DENOTES CRITICAL PARAMETER.
- LAMP VOLTAGE: 6V
- INGRESS PROTECTION: IP65
- HARDWARE SUPPLIED: O-RING AND HEXNUT



A	22080	RELEASE FOR PRODUCTION	12/9/15	MW
REV	PCR NO	DESCRIPTION	DATE	BY

TITLE PV4F2B011-3G3				
SCALE	DATE	DR	DWG	REV
3:2	12/9/2015	MW	52-PV4F2B0113G3	A

THE INFORMATION CONTAINED IN THIS DOCUMENT IS PROPRIETARY TO E-SWITCH AND IS NOT TO BE COPIED OR TRANSFERRED