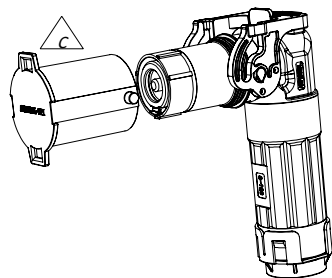


THIS DRAWING IS SUPPLIED FOR INFORMATION ONLY. DESIGN FEATURES, SPECIFICATIONS AND PERFORMANCE DATA SHOWN HEREON ARE THE PROPERTY OF THE AMPHENOL CORPORATION. NO RIGHTS OF REPRODUCTION ARE IMPLIED. ALL DIMENSIONS ARE SUBJECT TO NORMAL MANUFACTURING VARIATIONS.

# CUSTOMER DRAWING

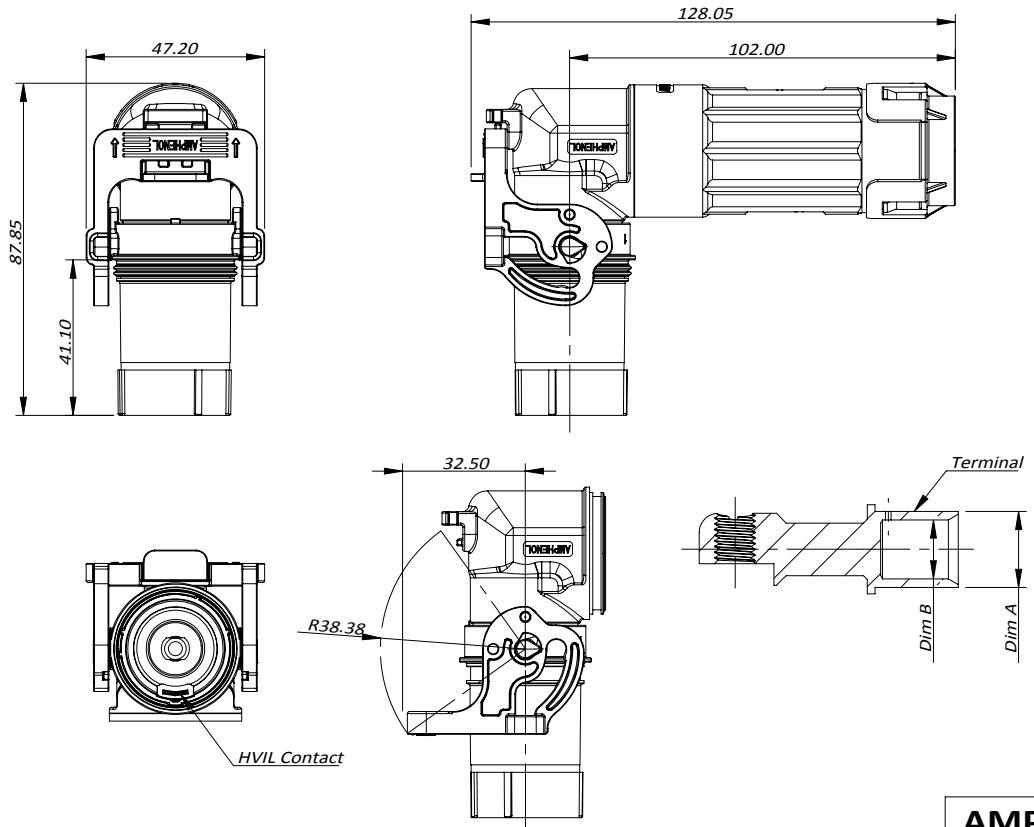


REVISIONS					
REV#	ECN#	REVISION ACTION	REV.BY:	APPR.BY:	DATE
A	--	INITIAL RELEASE	Jack	James	03/31/2020
B	--	增加表格信息	Star	James	10/29/2020
C	--	Add Dust Cap And Protection Cap	Star	James	12/30/2020

## 订购信息 Ordering Information

PL28 X - 50 1 - 95 - 2 - 5

<b>Key and Color</b>	<b>HVIL</b>	<b>Cable size:</b>	<b>Cable Type:</b>
"X", Orange	"0", NO HVIL	"70"=70mm <sup>2</sup>	"-5", Huber+Suhner
"Y", Black	"1", With HVIL	"95"=95mm <sup>2</sup>	
"U", Yellow		"120"=120mm <sup>2</sup>	
"V", Green			
"W", Red			
"T", Blue			



### 规格参数(Spec.):

- 工作温度 Operating temperature: -40°C ~ +125°C.
- 带高压互锁 Electrical interlock (HVIL).
- 额定电流 Current rating:  
Power: 70mm<sup>2</sup>, 250A; 95mm<sup>2</sup>, 300A; 120mm<sup>2</sup>, 400A; HVIL: 5A.
- 额定电压 Operating voltage:  
Power: 1000 VDC; Signal: 60 VDC.
- 耐电压 Dielectric withstanding voltage:  
A. 与插座对接后, Pin与铁壳之间  
When mated, between pin and metal shell: 5000 VDC.  
B. 与插座对接后, Pin与HVIL之间  
When mated, between pin and HVIL: 5000 VDC.  
C. 与插座对接后, HVIL与铁壳之间  
When mated, between HVIL and metal shell: 500 VDC.  
D. 与插座对接前, 两个HVIL端子之间耐压  
Before mating, between two HVIL terminals: 500 VDC.
- 防护等级 Protection class: Mated-IP6k9k & IP67, unmated-IP2X.
- 电磁屏蔽 360° full Shielding.
- 机械寿命 Mating cycle: 100 Min.
- 带CPA的摇杆系统 Latch system with CPA.
- 绝缘材料满足UL94 V-0 Inner insulation material satisfy UL94V-0.
- 镀灰锌/镍合金, 符合RoHS, 满足500H中性盐雾实验  
Gray Zinc/Nickel(ZnNi)Plating. RoHS compliant, Rated at 500hours salt spray.
- 对配插座型号: Model of mating receptacle: PL00(X)-50(X)-10(XX)-2

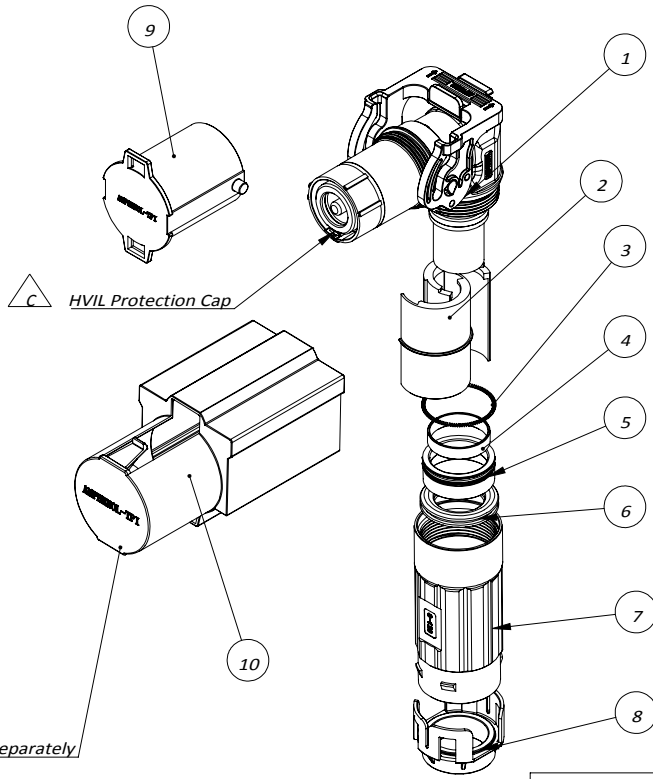
### Standard Part List:

Model No.	H+S Part No.	Dia. Primary Insulation(mm)	Dia. of Screen max. (mm)	Overall-Dia. Nominal(mm)	Outside-Dia. of terminal(mm): "A"	Inside-Dia. of terminal(mm): "B"
PL28(X)-50X-70-2-5	84100298	13.7±0.3	14.6	17.0±0.3	16.7±0.3	12.2±0.3
PL28(X)-50X-95-2-5	84100299	16.2±0.3	17.3	19.9±0.4	17.9±0.3	13.9±0.3
PL28(X)-50X-120-2-5	84103410	18.0±0.3	19.1	22.6±0.4	20.1±0.3	15.6±0.3

	Amphenol Technical Products International Asia.					<b>PART NAME:</b> PL14mm G2 Right Angle Plug
	第三角投影 THIRD ANGLE PROJECTION	页面 SHEET	幅面 SIZE	版次 REV.	比例 SCALE	
		1 OF 2	A4	C		
	签名 SIGNATURE	日期 DATE	UNLESS OTHERWISE SPECIFIED			
	制图 DRAWN	Star	12/30/2020	1) All dimensions are in metric(mm). 2) Tolerances are as follows: 1.PL DEC ± 1.00 2.PL DEC ± 0.50 3.PL DEC ± 0.20		
审核 CHECKED			Angles ±1°			
批准 APPROVAL					<b>DWG NO:</b> PL28X-50X-XX-2-5  <b>CUST PART #</b>	<b>CUST REV.</b>

THIS DRAWING IS SUPPLIED FOR INFORMATION ONLY. DESIGN FEATURES, SPECIFICATIONS AND PERFORMANCE DATA SHOWN HEREON ARE THE PROPERTY OF THE AMPHENOL CORPORATION. NO RIGHTS OF REPRODUCTION ARE IMPLIED. ALL DIMENSIONS ARE SUBJECT TO NORMAL MANUFACTURING VARIATIONS.

1	2	3
型号 Model	Kit Package P/N	Bulk Package P/N
PL28X-501-95-2-5	AC-HA011945	AC-HA011945-2
PL28Y-501-95-2-5	AC-HA011946	AC-HA011946-2
PL28U-501-95-2-5	AC-HA011947	AC-HA011947-2
PL28V-501-95-2-5	AC-HA011948	AC-HA011948-2
PL28W-501-95-2-5	AC-HA011949	AC-HA011949-2
PL28T-501-95-2-5	AC-HA011950	AC-HA011950-2
PL28X-500-95-2-5	AC-HA011951	AC-HA011951-2
PL28Y-500-95-2-5	AC-HA011952	AC-HA011952-2
PL28U-500-95-2-5	AC-HA011953	AC-HA011953-2
PL28V-500-95-2-5	AC-HA011954	AC-HA011954-2
PL28W-500-95-2-5	AC-HA011955	AC-HA011955-2
PL28T-500-95-2-5	AC-HA011956	AC-HA011956-2
PL28X-501-120-2-5	AC-HA011957	AC-HA011957-2
PL28Y-501-120-2-5	AC-HA011958	AC-HA011958-2
PL28U-501-120-2-5	AC-HA011959	AC-HA011959-2
PL28V-501-120-2-5	AC-HA011960	AC-HA011960-2
PL28W-501-120-2-5	AC-HA011961	AC-HA011961-2
PL28T-501-120-2-5	AC-HA011962	AC-HA011962-2
PL28X-500-120-2-5	AC-HA011963	AC-HA011963-2
PL28Y-500-120-2-5	AC-HA011964	AC-HA011964-2
PL28U-500-120-2-5	AC-HA011965	AC-HA011965-2
PL28V-500-120-2-5	AC-HA011966	AC-HA011966-2
PL28W-500-120-2-5	AC-HA011967	AC-HA011967-2
PL28T-500-120-2-5	AC-HA011968	AC-HA011968-2
PL28X-501-70-2-5	AC-HA012906	AC-HA012906-2
PL28Y-501-70-2-5	AC-HA012907	AC-HA012907-2
PL28U-501-70-2-5	AC-HA012908	AC-HA012908-2
PL28V-501-70-2-5	AC-HA012909	AC-HA012909-2
PL28W-501-70-2-5	AC-HA012910	AC-HA012910-2
PL28T-501-70-2-5	AC-HA012911	AC-HA012911-2
PL28X-500-70-2-5	AC-HA012912	AC-HA012912-2
PL28Y-500-70-2-5	AC-HA012913	AC-HA012913-2
PL28U-500-70-2-5	AC-HA012914	AC-HA012914-2
PL28V-500-70-2-5	AC-HA012915	AC-HA012915-2
PL28W-500-70-2-5	AC-HA012916	AC-HA012916-2
PL28T-500-70-2-5	AC-HA012917	AC-HA012917-2



REVISIONS					
REV#	ECN#	REVISION ACTION	REV.BY:	APPR.BY:	DATE
A	--	INITIAL RELEASE	Jack	James	03/31/2020
B	--	增加表格信息	Star	James	10/29/2020
C	--	Add Dust Cap And Protection Cap	Star	James	12/30/2020

ITEM	DESCRIPTION	QTY	REMARK
10	PL500 G2 1 POS plug protection cap	1	Order P/N AC-CP001600
9	PL500 G2 Dust cover for Plug	1	
8	PL500 G2 R/A Tail Cap H+S cable	1	Different P/N are used according to different Cable sizes
7	PL500 G2 Back Shell 14mm-90	1	Different P/N are used according to different Cable sizes
6	PL500 G2 cable sealing	1	Different P/N are used according to different Cable sizes
5	PL500 G2 Outer Copper Ring for R/A Plug	1	Different P/N are used according to different Cable sizes
4	PL500 G2 Inner Copper Ring	1	Different P/N are used according to different Cable sizes
3	PL500 G2 Canted Coil Spring for Plug	1	
2	PL500 G2 Plastic set	2	
1	PL500 G2 Front Shell 14mm-90 Assy	1	Different P/N are used according to different Cable sizes
MATERIALS LIST			

		<b>Amphenol Technical Products International Asia.</b>				<b>PART NAME:</b> PL14mm G2 Right Angle Plug	
		第三角投影 <b>THIRD ANGLE PROJECTION</b>	页面 <b>SHEET</b>	幅面 <b>SIZE</b>	版次 <b>REV.</b>	比例 <b>SCALE</b>	<b>DWG NO:</b> PL28X-50X-XX-2-5
签名 SIGNATURE Star		日期 DATE 12/30/2020		UNLESS OTHERWISE SPECIFIED 1) All dimensions are in metric (mm). 2) Tolerances are as follows: 1.PL DEC ± 1.00 2.PL DEC ± 0.50 3.PL DEC ± 0.20		<b>CUST PART #</b>	
制图 DRAWN		审核 CHECKED		批准 APPROVAL		<b>CUST REV.</b>	