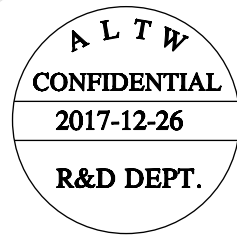
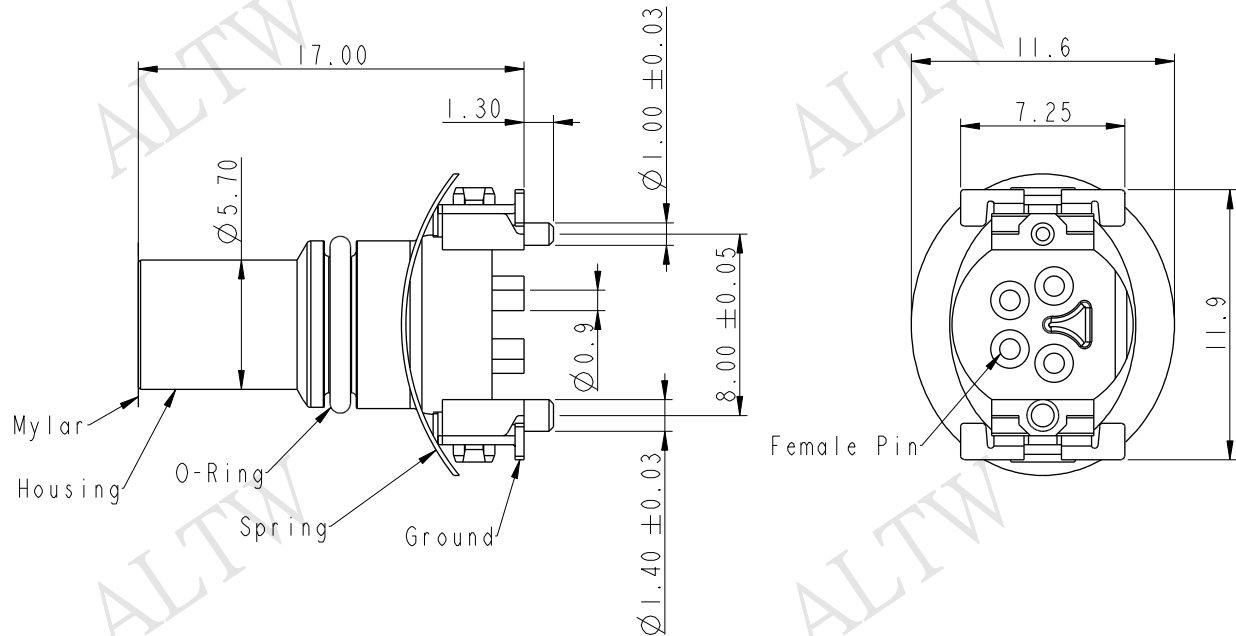


REV.	ECN NO.	DATE	SIGN	DESCRIPTION
A	Initial Release	2017/12/26	Jason Yu	New Item



M8S - XX P F F T - E E 8 0 0 1

M8S: M8 Shield
 03: 3Pin
 04: 4Pin
 P: Panel
 F: Female Connector
 F: Female Pin

001: Serial Number
 8: IP68(Mated, 1M/24Hours)
 IP65(Unmated)
 E: None Back Shell
 E: None Mating Style
 T: SMT Type

Note:
 * ⊕ Important Dimension to Check
 Material Specification:
 * Housing: Thermoplastic
 * Female Pin: Copper Alloy, Gold Plated
 * Ground: Copper Alloy, Tin Plated
 * Spring: Stainless Steel
 Electrical Specification:
 * Contact Resistance: 10m Ω (Max.)
 * Insulation Resistance: 100M Ω (Min.)
 * Dielectric Withstanding Voltage: 1KV
 * Rated Voltage: 60V d.c. or a.c.
 * Rated Current: 3A
 Mechanical Specification:
 * Durability: 1000 Cycles (IEC:100 Cycles)
 Environmental Specification:
 * Temperature Range: -55~+125°C
 * Salt Spray: 48 Hrs
 * SMT Temperature & Time: 260°C / 5 sec
 * SMT Paste: 0.12mm

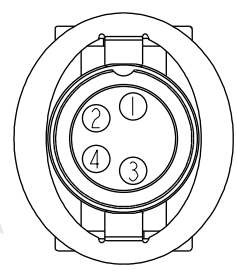
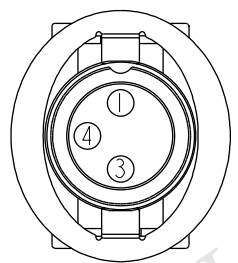
UNIT:mm TOLERANCE .X ±0.25 .XX ±0.1 .XXX ±0.05 ANGLES ±1°	TITLE M8 F CONN F PIN SMT TYPE		Amphenol LTW 安費諾亮泰企業股份有限公司		ITEM NO	DRAWN BY Jason Yu	DATE 2017/12/26
	SCALE 3:1	SIZE A4	SHEET 1	OF 4	DWG NO M8S-XXPFFT-EE8XXX	CHECKED BY Arvin Chan	DATE 2017/12/26
	REV. A	WC-REV. A.1	Inspection item		CUSTOMER ALTW	APPROVED BY Kevin Hu	DATE 2017/12/26

THIS DOCUMENT IS SUBJECT TO CHANGE WITHOUT NOTICE. IT IS CONFIDENTIAL AND A PROPERTY OF AMPHENOL LTW. DISCLOSURE TO THIRD PARTY HAS TO BE AUTHORIZED BY AMPHENOL LTW.

THIS DOCUMENT IS SUBJECT TO CHANGE WITHOUT NOTICE. IT IS CONFIDENTIAL AND A PROPERTY OF AMPHENOL LTW. DISCLOSURE TO THIRD PARTY HAS TO BE AUTHORIZED BY AMPHENOL LTW.

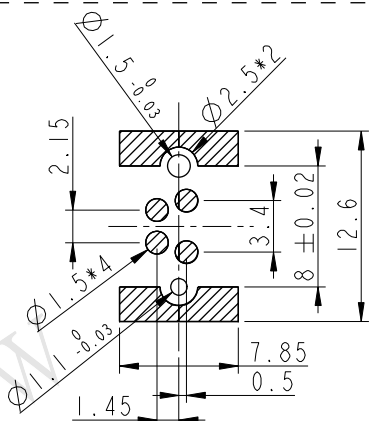
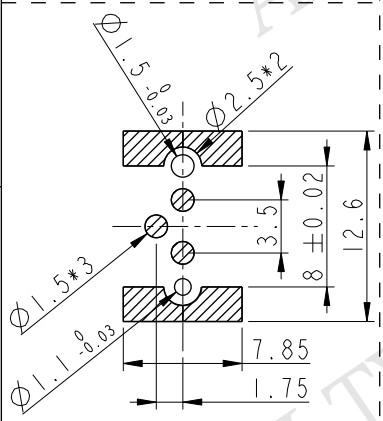
ALTW
CONFIDENTIAL
 2017-12-26
R&D DEPT.

ALTW
 DCC. DEPT.
 CONFIDENTIAL
 2018.01.11
ISSUED



3 Pin

4 Pin



Recommended PCB Layout

Recommended PCB Layout

UNIT: mm		
TOLERANCE		
.X	±0.25	
.XX	±0.1	
.XXX	±0.05	
ANGLES	±1°	

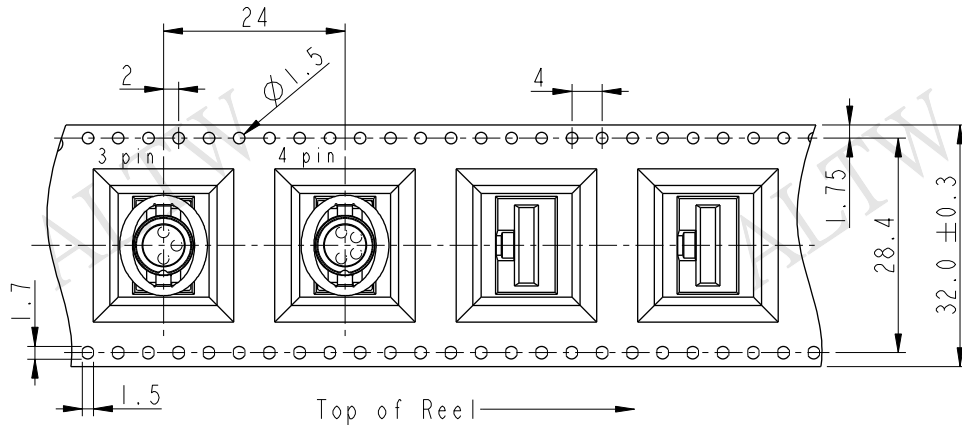
TITLE M8 F CONN F PIN SMT TYPE			
SCALE Free	SIZE A4	SHEET 2 OF 4	
REV. A	WC-REV. A.1	QC: Inspection item	

Amphenol LTW
安費諾亮泰企業股份有限公司

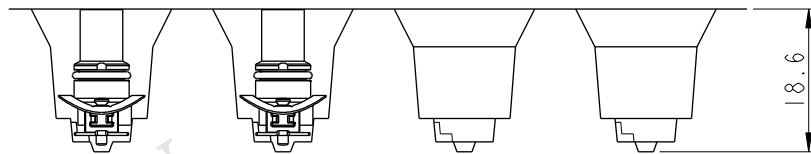
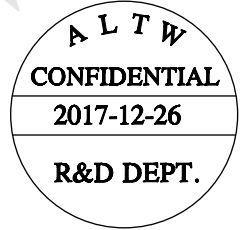
ITEM NO	DRAWN BY Jason Yu	DATE 2017/12/26
DWG NO M8S-XXPFFT-EE8XXX	CHECKED BY Arvin Chan	DATE 2017/12/26
CUSTOMER ALTW	APPROVED BY Kevin Hu	DATE 2017/12/26

DATE 2017/12/26
DATE 2017/12/26
DATE 2017/12/26

Tape & Reel Information:

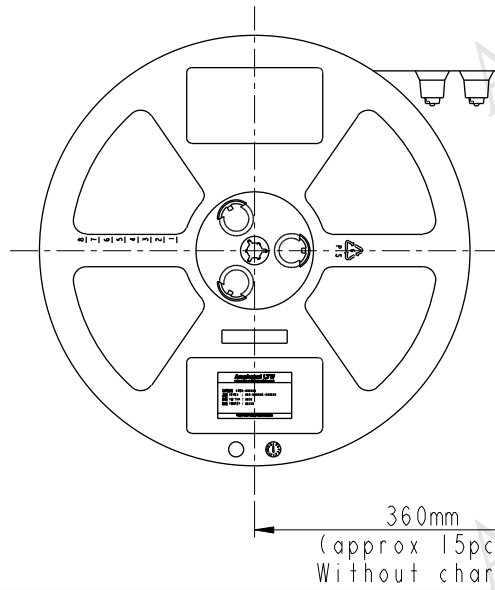
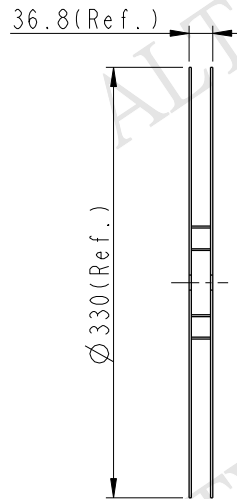


Note:
 * Connector Orientation Follow Drawing



Wide Cover Tape Around
 Out Periphery 1 Turn

Peeling Strength 0.1~1.3N Max.
 (300±10mm/min)
 Peeling Angle
 165~180°



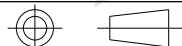
Top of Reel →

100 PCS/Reel
 With Product Charge

360mm
 (approx 15pcs)
 Without Charge



UNIT: mm



TITLE M8 F CONN F PIN SMT TYPE			
SCALE Free	SIZE A4	SHEET 3 OF 4	
REV. A	WC-REV. A.1	Inspection item	

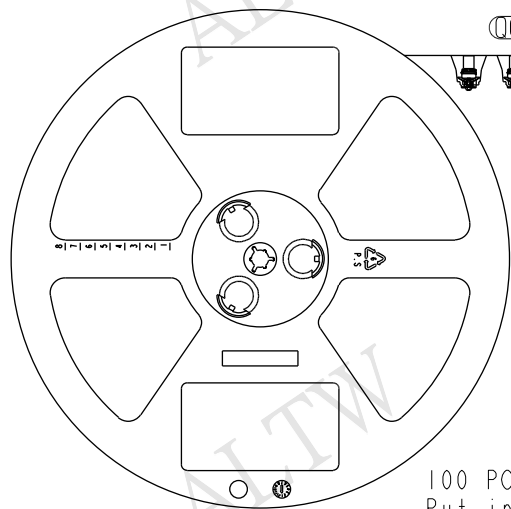
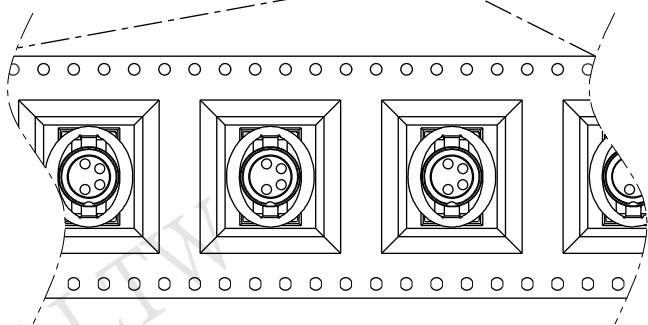
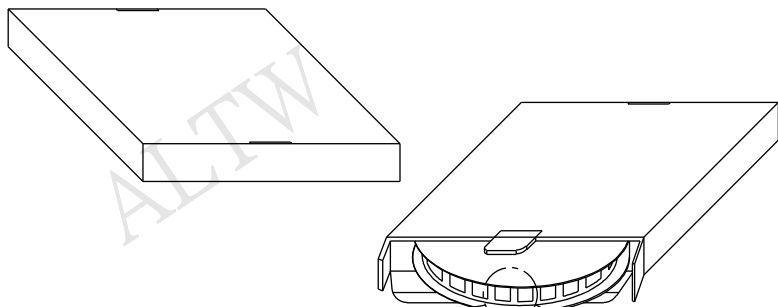
Amphenol LTW
 安費諾亮泰企業股份有限公司

ITEM NO	DRAWN BY Jason Yu	DATE 2017/12/26
DWG NO M8S-XXPFFT-EE8XXX	CHECKED BY Arvin Chan	DATE 2017/12/26
CUSTOMER ALTW	APPROVED BY Kevin Hu	DATE 2017/12/26

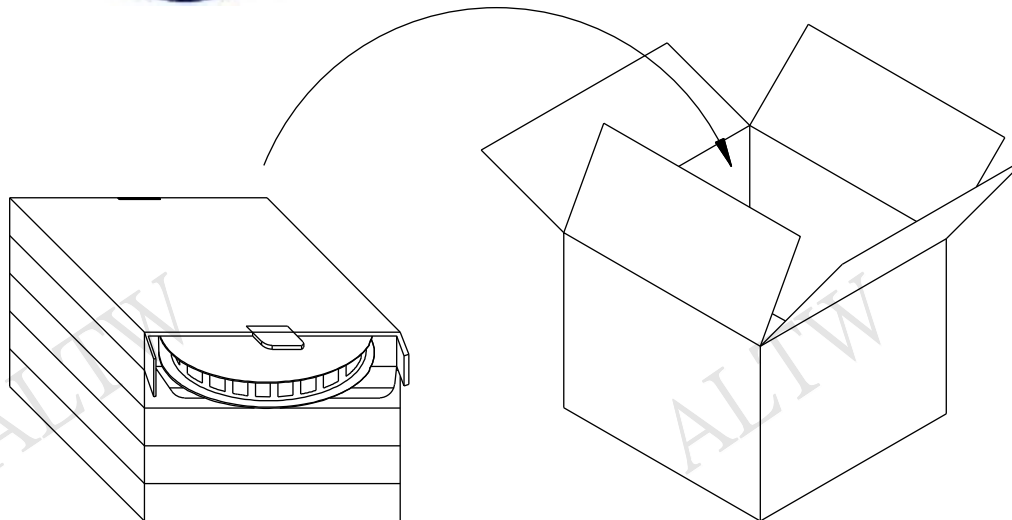
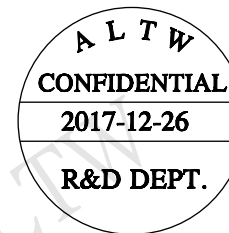
THIS DOCUMENT IS SUBJECT TO CHANGE WITHOUT NOTICE. IT IS CONFIDENTIAL AND A PROPERTY OF AMPHENOL LTW. DISCLOSURE TO THIRD PARTY HAS TO BE AUTHORIZED BY AMPHENOL LTW.

THIS DOCUMENT IS SUBJECT TO CHANGE WITHOUT NOTICE. IT IS CONFIDENTIAL AND A PROPERTY OF AMPHENOL LTW. DISCLOSURE TO THIRD PARTY HAS TO BE AUTHORIZED BY AMPHENOL LTW.

Package:



100 PCS(Connector)/Tape&Reel,
Put in a Box



One Carton can put in the 5PCS(Max.) Box
(500 PCS/ Carton)

UNIT: mm		TITLE		ITEM NO	DRAWN BY	DATE
		M8 F CONN F PIN SMT TYPE			Jason Yu	2017/12/26
TOLERANCE		SCALE	SIZE	SHEET	CHECKED BY	DATE
.X ±0.25		Free	A4	4 OF 4	Arvin Chan	2017/12/26
.XX ±0.1		REV.	WC-REV.	QC: Inspection item	APPROVED BY	DATE
.XXX ±0.05		A	A.1		Kevin Hu	2017/12/26
ANGLES ±1°						

Amphenol LTW
安費諾亮泰企業股份有限公司

DWG NO	CUSTOMER	DATE
M8S-XXPFFT-EE8XXX	ALTW	2017/12/26