



**User Manual**

# **IDS-3115 Series**

**15" Industrial Open Frame  
Monitor**

**ADVANTECH**

*Enabling an Intelligent Planet*

---

## Copyright

The documentation and the software included with this product are copyrighted 2013 by Advantech Co., Ltd. All rights are reserved. Advantech Co., Ltd. reserves the right to make improvements in the products described in this manual at any time without notice. No part of this manual may be reproduced, copied, translated or transmitted in any form or by any means without the prior written permission of Advantech Co., Ltd. Information provided in this manual is intended to be accurate and reliable. However, Advantech Co., Ltd. assumes no responsibility for its use, nor for any infringements of the rights of third parties, which may result from its use.

## Acknowledgements

Intel and Pentium are trademarks of Intel Corporation.

Microsoft Windows and MS-DOS are registered trademarks of Microsoft Corp.

All other product names or trademarks are properties of their respective owners.

## Product Warranty (2 years)

Advantech warrants to you, the original purchaser, that each of its products will be free from defects in materials and workmanship for two years from the date of purchase.

This warranty does not apply to any products which have been repaired or altered by persons other than repair personnel authorized by Advantech, or which have been subject to misuse, abuse, accident or improper installation. Advantech assumes no liability under the terms of this warranty as a consequence of such events.

Because of Advantech's high quality-control standards and rigorous testing, most of our customers never need to use our repair service. If an Advantech product is defective, it will be repaired or replaced at no charge during the warranty period. For out-of-warranty repairs, you will be billed according to the cost of replacement materials, service time and freight. Please consult your dealer for more details.

If you think you have a defective product, follow these steps:

1. Collect all the information about the problem encountered (For example, CPU speed, Advantech products used, other hardware and software used, etc.). Note anything abnormal and list any on screen messages you get when the problem occurs.
2. Call your dealer and describe the problem. Please have your manual, product, and any helpful information readily available.
3. If your product is diagnosed as defective, obtain an RMA (return merchandise authorization) number from your dealer. This allows us to process your return more quickly.
4. Carefully pack the defective product, a fully-completed Repair and Replacement Order Card and a photocopy proof of purchase date (such as your sales receipt) in a shippable container. A product returned without proof of the purchase date is not eligible for warranty service.
5. Write the RMA number visibly on the outside of the package and ship it prepaid to your dealer.

Part Number: 2006S31101

Printed in Taiwan

Edition 2

February 2013

# Declaration of Conformity

## CE

This product has passed the CE test for environmental specifications. Test conditions for passing included the equipment being operated within an industrial enclosure. In order to protect the product from being damaged by ESD (Electrostatic Discharge) and EMI leakage, we strongly recommend the use of CE-compliant industrial enclosure products.

## FCC Class A

Note: This equipment has been tested and found to comply with the limits for a Class A digital device, pursuant to part 15 of the FCC Rules. These limits are designed to provide reasonable protection against harmful interference when the equipment is operated in a commercial environment. This equipment generates, uses, and can radiate radio frequency energy and, if not installed and used in accordance with the instruction manual, may cause harmful interference to radio communications. Operation of this equipment in a residential area is likely to cause harmful interference in which case the user will be required to correct the interference at his own expense.

## FM

This equipment has passed FM certification. According to the National Fire Protection Association, work sites are classified into different classes, divisions and groups, based on hazard considerations. This equipment is compliant with the specifications of Class I, Division 2, Groups A, B, C and D indoor hazards.

# Technical Support and Assistance

1. Visit the Advantech website at <http://support.advantech.com> where you can find the latest information about the product.
2. Contact your distributor, sales representative, or Advantech's customer service center for technical support if you need additional assistance. Please have the following information ready before you call:
  - Product name and serial number
  - Description of your peripheral attachments
  - Description of your software (operating system, version, application software, etc.)
  - A complete description of the problem
  - The exact wording of any error messages

# Warnings, Cautions and Notes

**Warning!** *Warnings indicate conditions, which if not observed, can cause personal injury!*



---

**Caution!** *Cautions are included to help you avoid damaging hardware or losing data. e.g.*



*There is a danger of a new battery exploding if it is incorrectly installed. Do not attempt to recharge, force open, or heat the battery. Replace the battery only with the same or equivalent type recommended by the manufacturer. Discard used batteries according to the manufacturer's instructions.*

**Note!** *Notes provide optional additional information.*



## Document Feedback

To assist us in making improvements to this manual, we would welcome comments and constructive criticism. Please send all such - in writing to: [support@advan-tech.com](mailto:support@advan-tech.com)

# Safety Instructions

1. Read these safety instructions carefully.
2. Keep this User Manual for later reference.
3. Disconnect this equipment from any AC outlet before cleaning. Use a damp cloth. Do not use liquid or spray detergents for cleaning.
4. For plug-in equipment, the power outlet socket must be located near the equipment and must be easily accessible.
5. Keep this equipment away from humidity.
6. Put this equipment on a reliable surface during installation. Dropping it or letting it fall may cause damage.
7. The openings on the enclosure are for air convection. Protect the equipment from overheating. **DO NOT COVER THE OPENINGS.**
8. Make sure the voltage of the power source is correct before connecting the equipment to the power outlet.
9. Position the power cord so that people cannot step on it. Do not place anything over the power cord.
10. All cautions and warnings on the equipment should be noted.
11. If the equipment is not used for a long time, disconnect it from the power source to avoid damage by transient overvoltage.
12. Never pour any liquid into an opening. This may cause fire or electrical shock.
13. Never open the equipment. For safety reasons, the equipment should be opened only by qualified service personnel.
14. If one of the following situations arises, get the equipment checked by service personnel:
  - The power cord or plug is damaged.
  - Liquid has penetrated into the equipment.
  - The equipment has been exposed to moisture.
  - The equipment does not work well, or you cannot get it to work according to the user's manual.
  - The equipment has been dropped and damaged.
  - The equipment has obvious signs of breakage.
15. **DO NOT LEAVE THIS EQUIPMENT IN AN ENVIRONMENT WHERE THE STORAGE TEMPERATURE MAY GO BELOW -20° C (-4° F) OR ABOVE 60° C (140° F). THIS COULD DAMAGE THE EQUIPMENT. THE EQUIPMENT SHOULD BE IN A CONTROLLED ENVIRONMENT.**
16. **CAUTION: DANGER OF EXPLOSION IF BATTERY IS INCORRECTLY REPLACED. REPLACE ONLY WITH THE SAME OR EQUIVALENT TYPE RECOMMENDED BY THE MANUFACTURER, DISCARD USED BATTERIES ACCORDING TO THE MANUFACTURER'S INSTRUCTIONS.**

The sound pressure level at the operator's position according to IEC 704-1:1982 is no more than 70 dB (A).

DISCLAIMER: This set of instructions is given according to IEC 704-1. Advantech disclaims all responsibility for the accuracy of any statements contained herein.

**Caution!** *For power adapter selection: the information about the adapter output rating (12 Vdc, 5 A min, or 60 W min) is provided in the user manual for user's selection if the power adapter is not shipped with the unit*





# Contents

|                   |   |           |
|-------------------|---|-----------|
| <b>Chapter 1</b>  | <b>Overview</b>   | <b>1</b>  |
| 1.1               | Introduction  | 2         |
| 1.2               | Features  | 2         |
| 1.3               | Applications  | 2         |
| 1.4               | Product Photos  | 2         |
| 1.5               | Naming Convention   | 3         |
| <b>Chapter 2</b>  | <b>System Setup</b>   | <b>5</b>  |
| 2.1               | Specifications  | 6         |
| 2.2               | Dimensions  | 7         |
|                   | Figure 2.1 IDS-3115 High Brightness Series Dimensions                                     | 7         |
|                   | Figure 2.2 IDS-3115 Series Dimensions   | 7         |
|                   | Figure 2.3 IDS-3115E Series Dimensions  | 7         |
| 2.3               | Rear Mount Assembly SOP   | 8         |
| 2.4               | Cable Clamp   | 8         |
| 2.5               | Packing List  | 9         |
| <b>Chapter 3</b>  | <b>Touchscreen</b>  | <b>11</b> |
| 3.1               | OSD Functions (IDS-3115 Series)   | 12        |
| 3.1.1             | OSD Main Menu: Push the MENU Key  | 12        |
| 3.1.2             | Brightness Selection - Submenu  | 13        |
| 3.1.3             | Contrast Control  | 13        |
| 3.1.4             | Screen Settings - Submenu   | 13        |
| 3.1.5             | Color Temperature - Submenu   | 14        |
| 3.1.6             | Language - Submenu  | 14        |
| 3.1.7             | OSD Setting - Submenu   | 14        |
| 3.1.8             | VGA/DVI Selection   | 15        |
| 3.2               | OSD Functions for IDS-3115E Series  | 15        |
| 3.2.1             | OSD Main Menu: Push the MENU Key  | 15        |
| 3.2.2             | OSD Lock  | 15        |
| 3.2.3             | OSD Unlock  | 16        |
| 3.2.4             | Color Adjustment - Submenu (Brightness /Contrast/ Color Adjust/<br>Color temp/Auto Color) | 16        |
| 3.2.5             | Image Setting Adjustment  | 17        |
| 3.2.6             | Image Adjustment -Submenu (Clock/Phase/H. Position/V.<br>Position)                        | 17        |
| 3.2.7             | OSD Menu Adjustment   | 18        |
| 3.2.8             | OSD Adjustment - Submenu (OSD H.Pos./ OSD V.Pos./OSD<br>Timer)                            | 18        |
| 3.2.9             | OSD Adjustment - Language Submenu   | 19        |
| 3.2.10            | Reset Adjustment  | 19        |
| 3.3               | Touch Drivers   | 19        |
| 3.4               | Mounting Notes (for Projected Capacitive Touchscreen)                                     | 20        |
| 3.4.1             | Mounting Touchscreen on Back Side of the Bezel  | 20        |
| 3.4.2             | Tail  | 20        |
| <b>Appendix A</b> | <b>Troubleshooting</b>  | <b>21</b> |
| A.1               | Introduction  | 22        |
| A.2               | Troubleshooting   | 22        |





# Chapter 1

## Overview

Sections include:

- Introduction
- Features
- Applications
- Product Photos
- Naming Convention

## 1.1 Introduction

The Advantech IDS-3115 series is a brand new Industrial Open Frame Monitor, designed to meet the needs of customers who want a quick and easy integration with Advantech Embedded Box Computers, such as ARK and DSA. Advantech offers three different versions of IDS-3115 to meet different demands: IDS-3115 HB series (High brightness version), IDS-3115 series (Standard version) and IDS-3115E series (Economical version)

## 1.2 Features

- 15" XGA LED backlight panel which provides 20~30% power saving
- -20°C ~ +60°C wide operating temperature range support
- Special design of 5-wire resistive and optional P-cap (dual-touch is supported) touchscreen
- All new mechanical design with integrated bracket for easy installation
- Versatile mounting method for rear mount and VESA mount (75 x 75 mm, 100 x 100 mm)

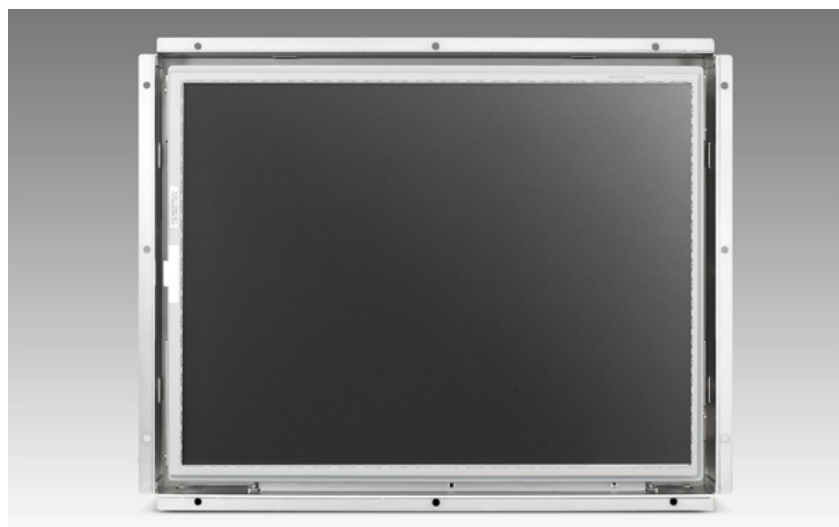
## 1.3 Applications

Application scenarios - self-service applications:

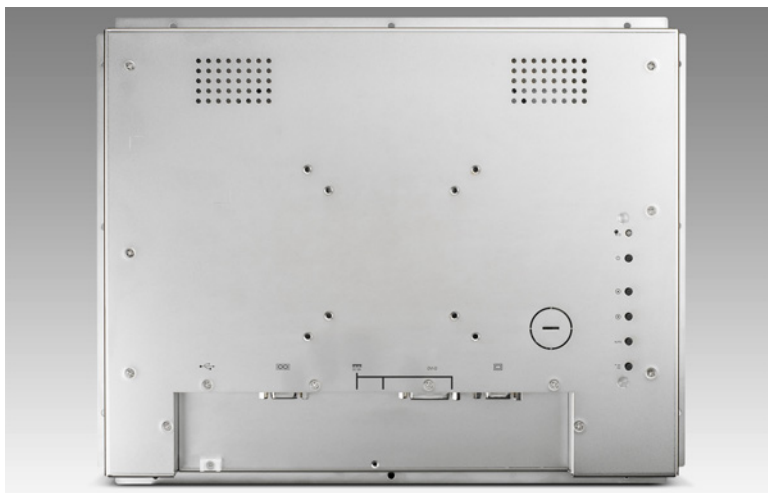
- KIOSK / POI machine
- Transportation machine
- Ticketing machine
- Financial ATM
- Entertainment / Gaming / Slot machine
- HMI (Human-Machine Interface) equipment controller monitor
- Public communication machine
- Public advertisement machine

## 1.4 Product Photos

Front view



Rear view



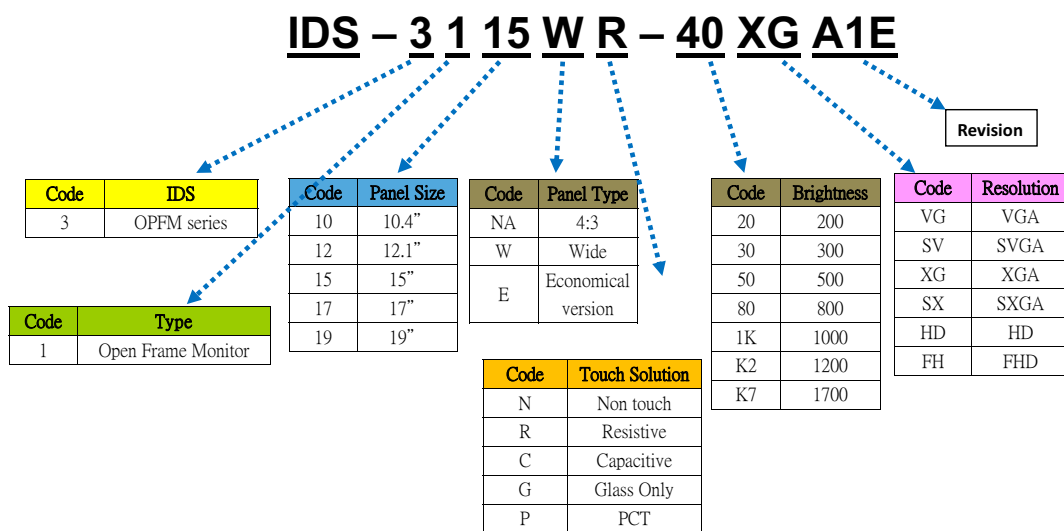
IDS-3115 Bottom view



IDS-3115E Bottom View



## 1.5 Naming Convention





# Chapter 2

## System Setup

Sections include:

- Specifications
- Dimensions
- Rear Mount Assembly SOP
- Cable Clamp
- Accessory Packing

## 2.1 Specifications

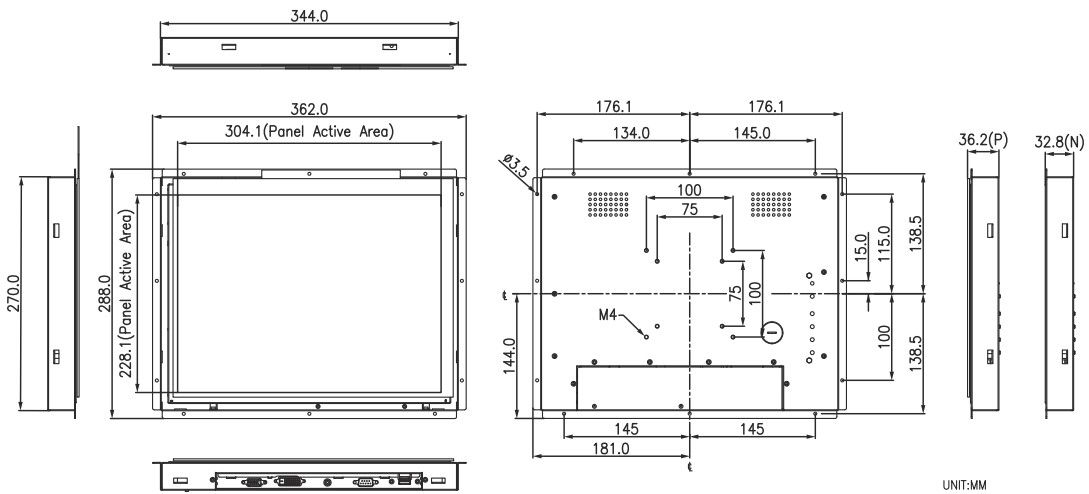
**Note!** The IDS-3115 series offers the following features and meets precise specifications.



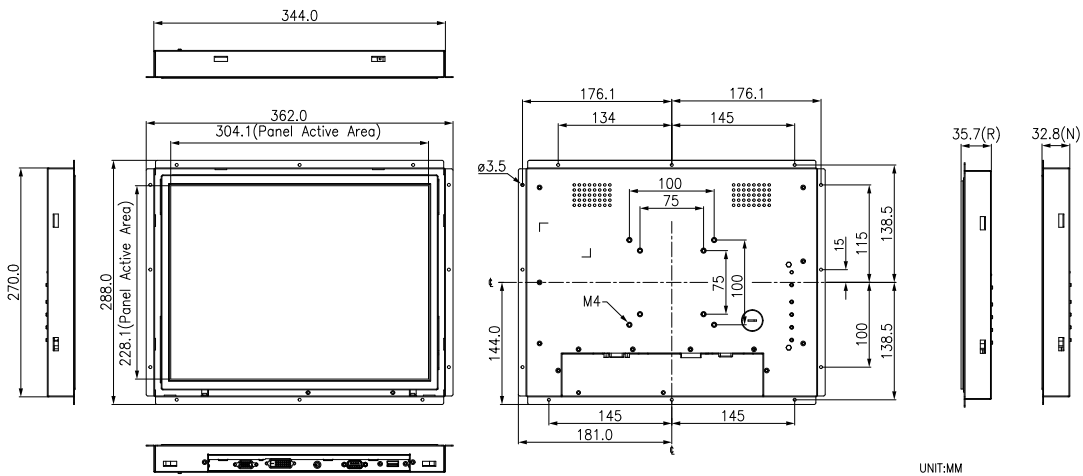
Unless otherwise noted, all the information listed below is subject to change without prior notification.

|             | Model                 | IDS-3115 (High Brightness)   | IDS-3115   | IDS-3115E   |
|-------------|-----------------------|--|--|---|
| Display     | Size                  | 15" LED panel  | 15" LED panel  | 15" CCFL panel  |
|             | Resolution            | 1024 x 768 (XGA)   | 1024 x 768 (XGA)   | 1024 x 768 (XGA)  |
|             | Viewing Angle         | 80°/80° (H),<br>70°/70° (V)  | 80°/80° (H),<br>70°/70° (V)  | 80°/80° (H),<br>80°/80° (V)   |
|             | Brightness            | 1200 (cd/m <sup>2</sup> )  | 400 (cd/m <sup>2</sup> )   | 250 (cd/m <sup>2</sup> )  |
|             | Color Support         | 16.2M / 262K colors  | 16.2M / 262K colors  | 16.7M   |
|             | Contrast Ratio        | 700:1  | 700:1  | 600:1   |
|             | Response Time         | 25 [msec]  | 25 [msec]  | 8 [msec]  |
|             | Backlight Life        | 50,000 hrs   | 50,000 hrs   | 40,000 hrs  |
| Touch       | T/S Type              | Projected Capacitive Touchscreen   | 5-Wire Resistive Touchscreen   | 5-Wire Resistive Touchscreen  |
|             | Surface Hardness      | 5H   | 3H   | 3H  |
|             | Durability            | 50 million touches   | 10 million touches   | 10 million touches  |
| Environment | Operating Temperature | -20 ~ 60° C<br>(-4 ~ 140° F)   | -20 ~ 60° C<br>(-4 ~ 140° F)   | 0~ 45° C<br>(32 ~ 113° F)   |
|             | Storage Temperature   | -30 ~ 70° C<br>(-22 ~ 158° F)  | -30 ~ 70° C<br>(-22 ~ 158° F)  | -20 ~ 60° C<br>(-4 ~ 140° F)  |
|             | Humidity              | 5 ~ 95% @ 40° C, non-condensing  |  |   |
|             | Vibration             | 5-500Hz, 0.026G <sup>2</sup> /Hz, 2.16Grms, X, Y, Z<br>1 hour per axis   |  |   |
| System      | I/O                   | VGA x 1; DVI-D x 1; 12 VDC Jack x 1; USB x1; (USB is reserved for the connection to enable touch usage only)   | VGA x 1; DVI-D x 1; 12 VDC Jack x 1; USB x1; RS-232 x 1 (USB & RS-232 are reserved for the connection to enable touch usage only)  | VGA x 1; 12 VDC Jack x 1; USB x1; RS-232 x 1 (USB & RS-232 are reserved for the connection to enable touch usage only)                |
|             | OSD                   | Keys: Menu, Up, Down, Auto Adjust, Monitor Power on/off<br>Menu Functions: Brightness, Contrast, Screen Settings, Color Temp, Language OSD Settings, VGA/ DVI, Recall, Auto Adjust | Keys: Menu, Up, Down, Auto Adjust, Monitor Power on/off<br>Menu Functions: Brightness, Contrast, Screen Settings, Color Temp, Language OSD Settings, VGA/ DVI, Recall, Auto Adjust | Keys: Menu, Up, Down, Auto Adjust, Monitor Power on/off<br>Menu Functions: Brightness, Contrast, Color Adjust, Color Temp, Auto Color |
|             | Power                 | 60 W power adapter, with AC 100 ~ 240 V input and DC +12 V @ 5 A output  |  |   |
|             | EMC Compliance        | CE/FCC/CCC   |  |   |

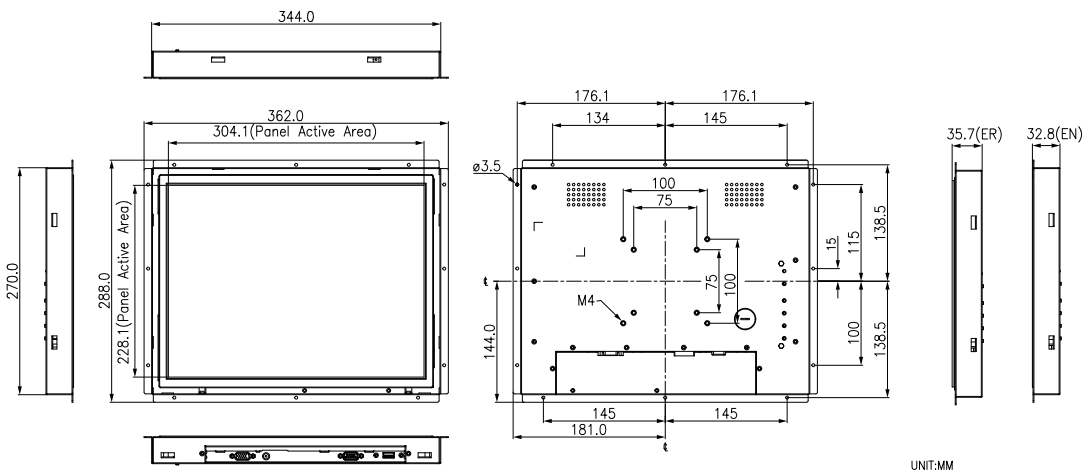
## 2.2 Dimensions



**Figure 2.1 IDS-3115 High Brightness Series Dimensions**



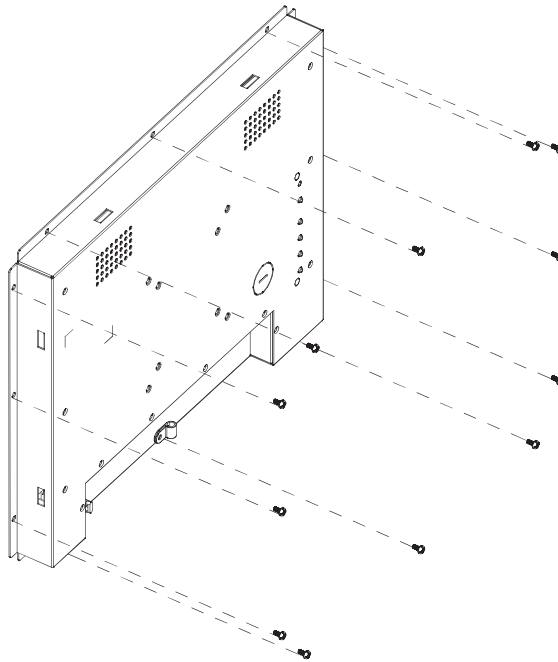
**Figure 2.2 IDS-3115 Series Dimensions**



**Figure 2.3 IDS-3115E Series Dimensions**

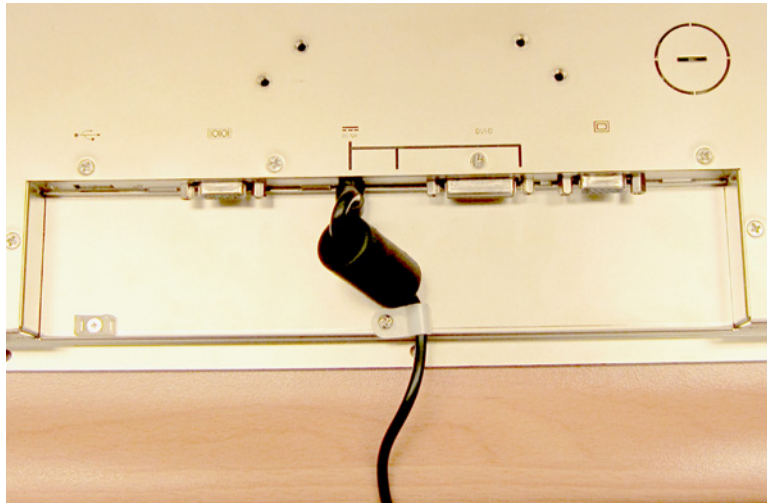
## 2.3 Rear Mount Assembly SOP

1. Using the M3 screws (12 pcs included) attach and tighten as shown in the below figure.



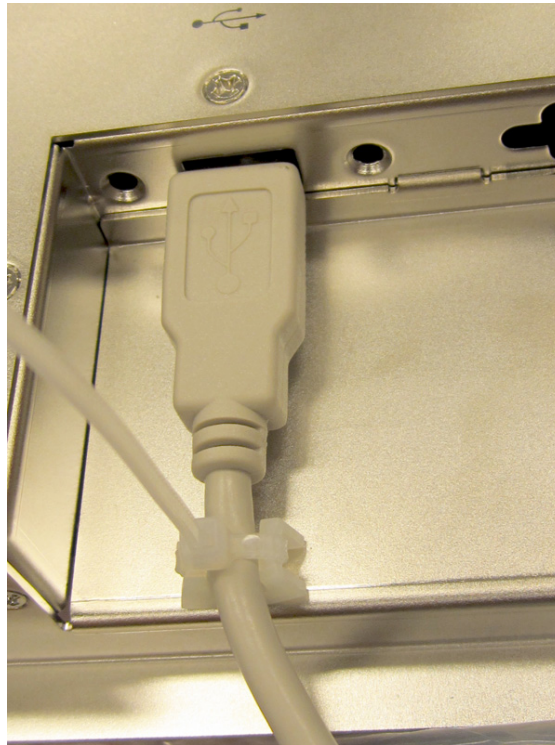
## 2.4 Cable Clamp

1. A cable clamp also comes with IDS-3115 to affix the power cable to the back of the monitor, see drawing below.





2. A cable tie for the USB cable is included in the accessories box, see below:



## 2.5 Packing List

- 1 x VGA cable 15P(M) 1.8 meter
- 1 x USB-A(M)/USB-A(M) 1.8 meter
- 8 x panel-mount clamps
- 8 x Panel-mount clamping screws: M4\_25L
- 1 x cable clamp
- 1 x cable clamp screw
- 1 x cable tie
- 1 x 60 W DC12V Power Adapter (optional)
- 1 x Power Cord (optional)
- 1 x DVI cable 2.0 meter (optional)
- 1 x RS-232 9P/9P 1.8M M/F cable (optional)

**Note!** Above accessory cables are subject to change for different SKUs.





# Chapter 3

## Touchscreen

Sections include:

- OSD Functions
- Touch Drivers
- Mounting Notes (for P-cap)

## 3.1 OSD Functions (IDS-3115 Series)

The OSD images of the IDS-3115 display (1024 x 768 resolution) below were selected for illustrative purposes:

| Buttons       | Description   |
|---------------|---|
| Power         | Turn the monitor power ON or OFF  |
| Menu          | Activate the OSD menu<br>Exit menu  |
| Auto          | Automatically adjust the clock , phase ,<br>H-position and V-position                       |
| Value Up/Down | Move the selector to the previous option<br>Decrease the gauge value of the selected option |

| LED Function |        |
|--------------|--------|
| DPMS ON      | Green  |
| DPMS STANDBY | Orange |
| DPMS OFF     | Red    |

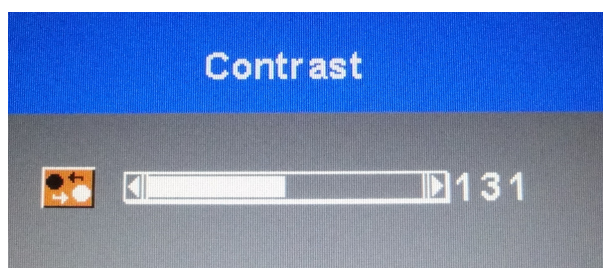
### 3.1.1 OSD Main Menu: Push the MENU Key



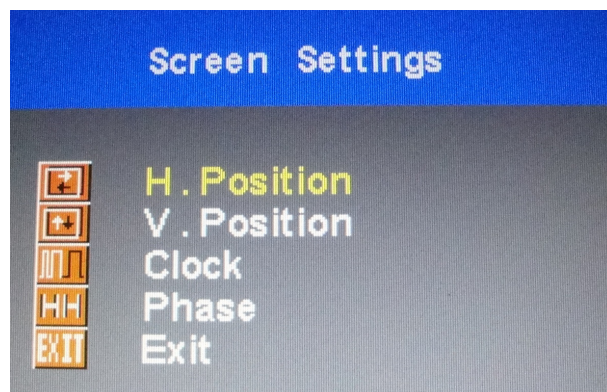
### 3.1.2 Brightness Selection - Submenu



### 3.1.3 Contrast Control



### 3.1.4 Screen Settings - Submenu

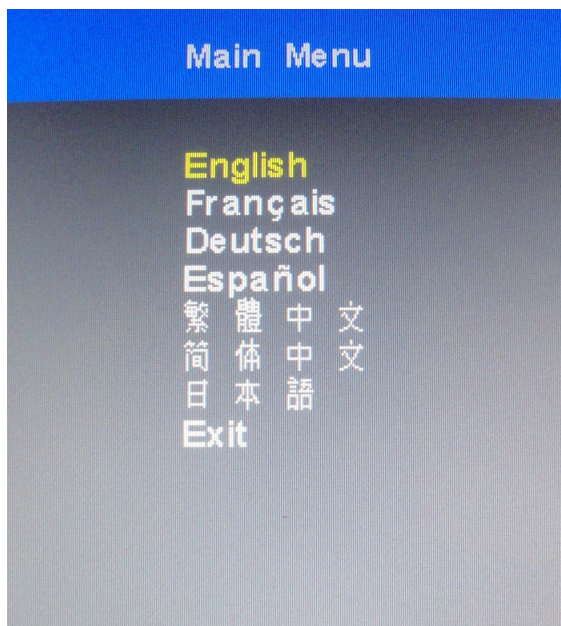




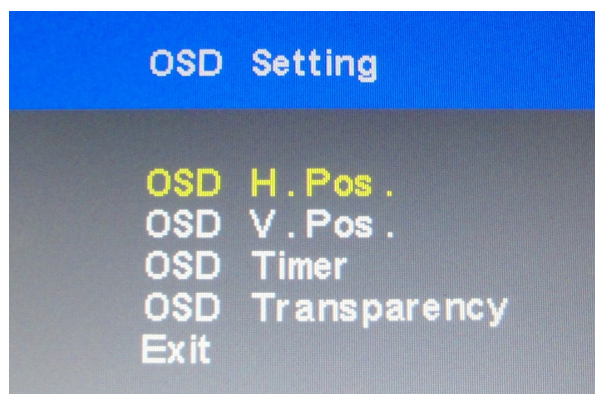
### 3.1.5 Color Temperature - Submenu



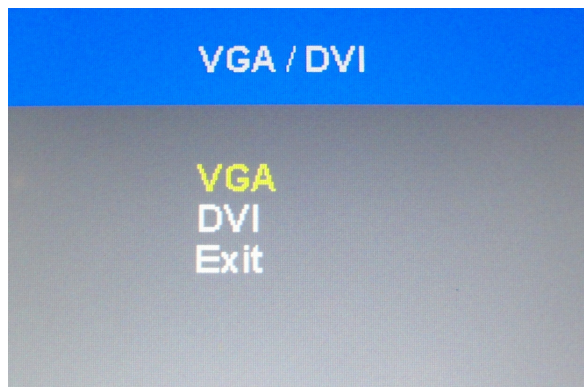
### 3.1.6 Language - Submenu



### 3.1.7 OSD Setting - Submenu

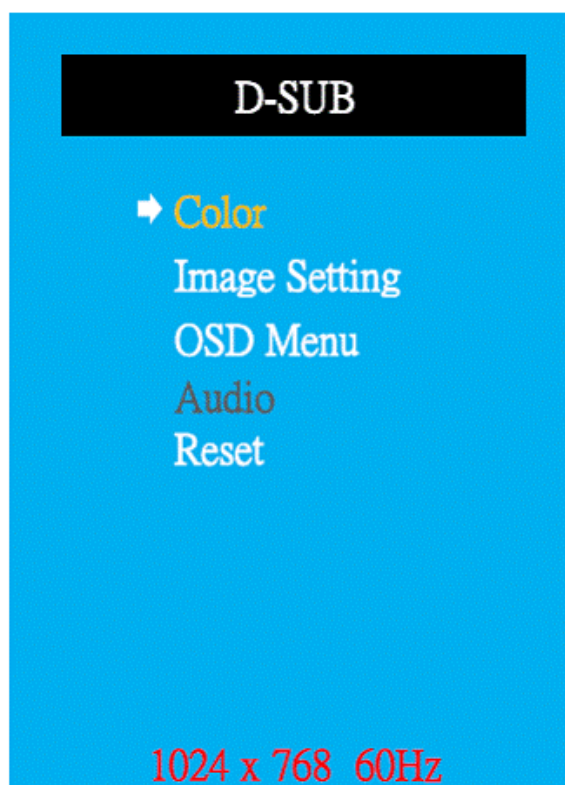


### 3.1.8 VGA/DVI Selection



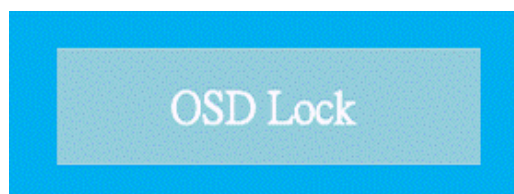
## 3.2 OSD Functions for IDS-3115E Series

### 3.2.1 OSD Main Menu: Push the MENU Key



### 3.2.2 OSD Lock

Press the "Right" and "Menu" keys simultaneously to lock the OSD key.

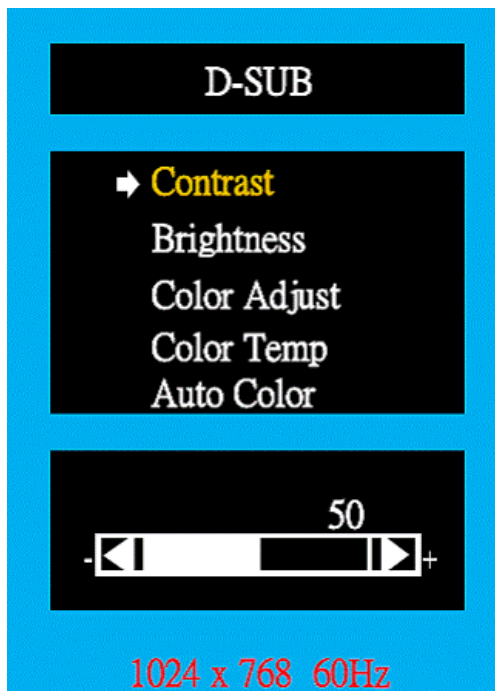


### 3.2.3 OSD Unlock

Press the "Right" and "Menu" keys simultaneously again to unlock the OSD key.

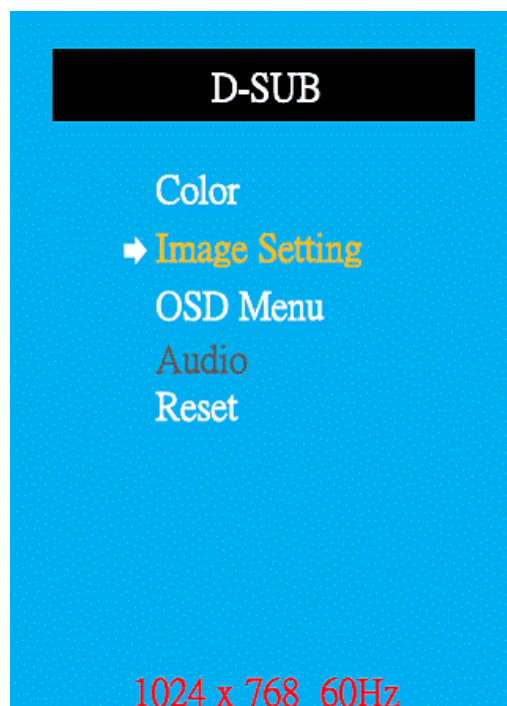


### 3.2.4 Color Adjustment - Submenu (Brightness /Contrast/ Color Adjust/Color temp/Auto Color)

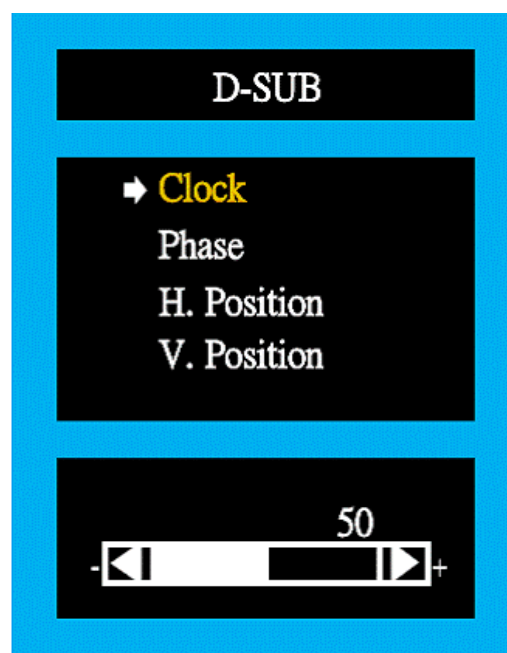




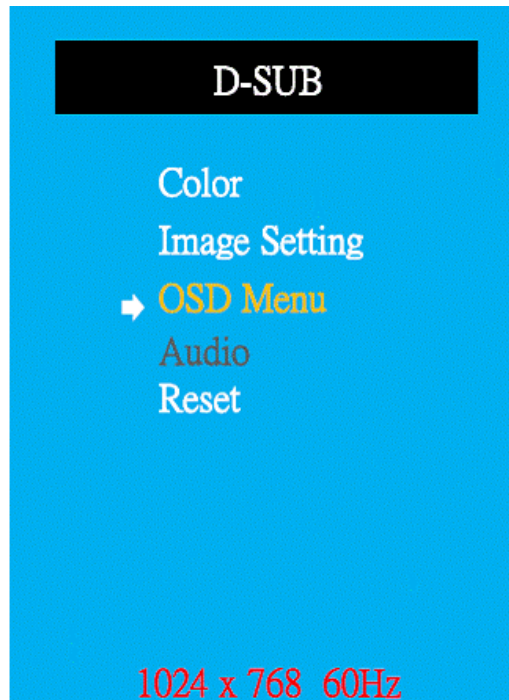
### 3.2.5 Image Setting Adjustment



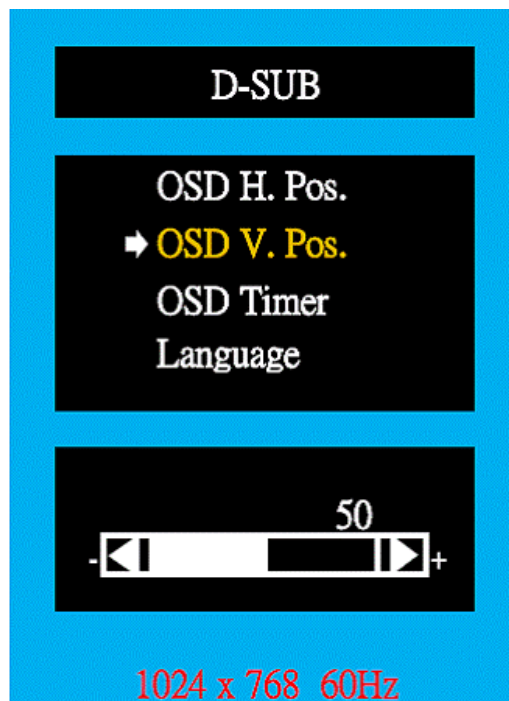
### 3.2.6 Image Adjustment -Submenu (Clock/Phase/H. Position/V. Position)



### 3.2.7 OSD Menu Adjustment



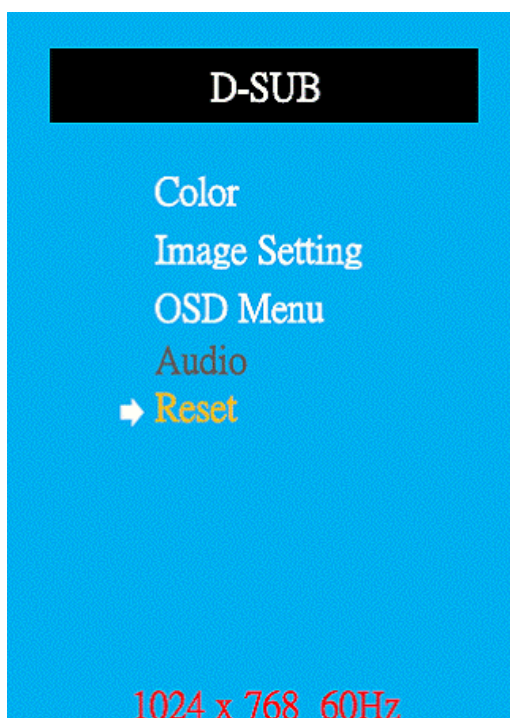
### 3.2.8 OSD Adjustment - Submenu (OSD H.Pos./ OSD V.Pos./OSD Timer)



### 3.2.9 OSD Adjustment - Language Submenu



### 3.2.10 Reset Adjustment



## 3.3 Touch Drivers

The touchscreen driver is available online at the Advantech website:  
<http://support.advantech.com/support/default.aspx>

## 3.4 Mounting Notes (for Projected Capacitive Touchscreen)

Projected Capacitive touchscreens detect the touch location by measuring the increased amount of the capacitance value between its electrodes at inputs. Once it is built into a system, capacitance couplings are continually yielded among the touchscreen. When turned on, our projected capacitive touchscreen will automatically adjust its sensitivity level to the surrounding environment in standby state in order to avoid the affects by the surrounding capacitance couplings. If the surrounding environment changes or the device is near materials that alter the electrical field (a large capacitor, power-supply unit, LCD panel, or materials with high dielectric constant), these external factors will adversely affect the function of the touchscreen to detect the correct input positions.

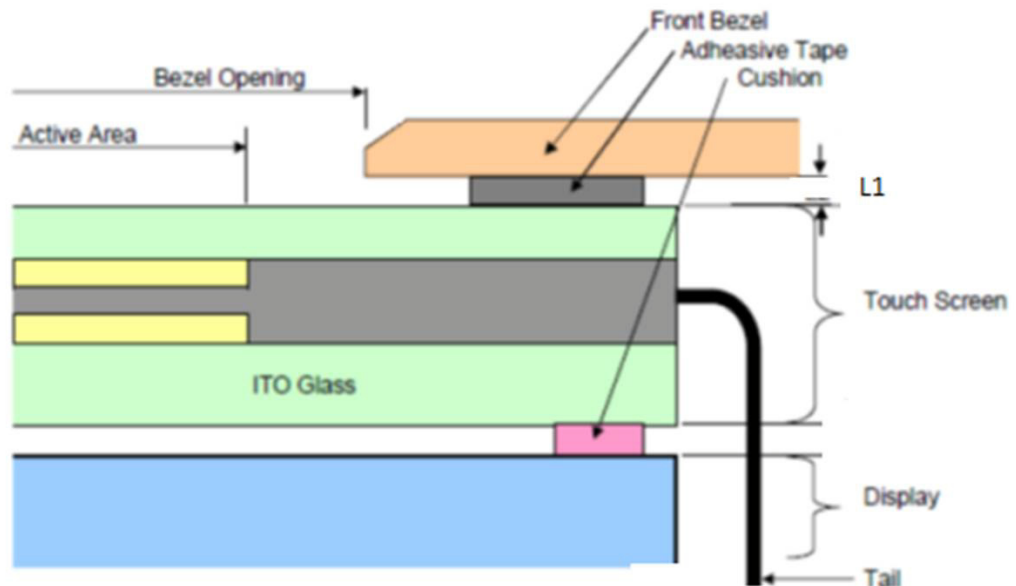
Please refer to the mounting notes below and ensure enough gap among each component in order to avoid trouble from the external factors described above.

### 3.4.1 Mounting Touchscreen on Back Side of the Bezel

Fix the touchscreen firmly so that the gap distances between the touchscreen and other components will not be affected by touching or will not change with the passage of time. An unexpected input may be caused if the gap is too narrow.

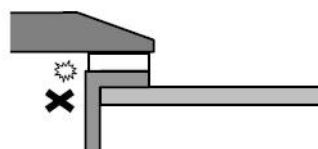
It is recommended to use an insulating resin material for the bezel. If a metal plate is used for the bezel, unintended capacitance coupling may occur on the periphery of the active area.

If a metal plate or any other metallic materials is used for the bezel, ensure a gap distance of approximately 2mm between the touchscreen and the bezel (L1)



### 3.4.2 Tail

The tail must not be forcibly stressed or bent too hard or it may cause conduction in the insulated area and/or wire breaking..



# Appendix **A**

## Troubleshooting

---

## A.1 Introduction

If experiencing trouble with the monitor, or it fails to operate correctly, please refer to the following instructions before calling the Advantech service center. If unable to correct the faults using the instructions below, then please contact the distributor or the services/repair center.

## A.2 Troubleshooting

### No Images Appears On Screen

- Check to see that all the I/O and power connectors are installed correctly and connected. (Refer to 1.4, Open Frame Bottom view)
- Make sure none of the connectors are crooked, broken or loose.
- Make sure the OSD power on the LED is turned on.
- Make sure the brightness is not set to minimum.
- Make sure the screen resolution is set to the correct setting for the type of LCD, and that the setting does not exceed the resolution specified for the particular model of LCD.

### The image is incorrectly displayed, or the full screen image does not appear

- Please make sure the screen resolution on the motherboard is correct.

### The position of screen is not in the center

- Adjust the H-position and V-position or perform “Auto” adjustment.

### Out of range

- When the message “Out of Range” appears onscreen, it indicates that the signal of the computer is not compatible with the LCD display; i.e. the resolution exceeds the specified resolution for the LCD.
- Adjust the BIOS setting to match the correct resolution.

### No signal

- The display is powered on, but can neither receive or display any signal from the computer. Check all power switches, power cables and VGA signal cables to ensure that all are connected correctly on both sides.

### Going to sleep

- If the system goes to sleep, then the display has either been set to power-saving mode, or the display has experienced a sudden signal disconnect problem. Check the BIOS system settings, and/or Windows configuration. Then check the connection of the power cable to computer on both sides.



**ADVANTECH**

*Enabling an Intelligent Planet*

**[www.advantech.com](http://www.advantech.com)**

Please verify specifications before quoting. This guide is intended for reference purposes only.

All product specifications are subject to change without notice.

No part of this publication may be reproduced in any form or by any means, electronic, photocopying, recording or otherwise, without prior written permission of the publisher.

All brand and product names are trademarks or registered trademarks of their respective companies.

© Advantech Co., Ltd. 2013