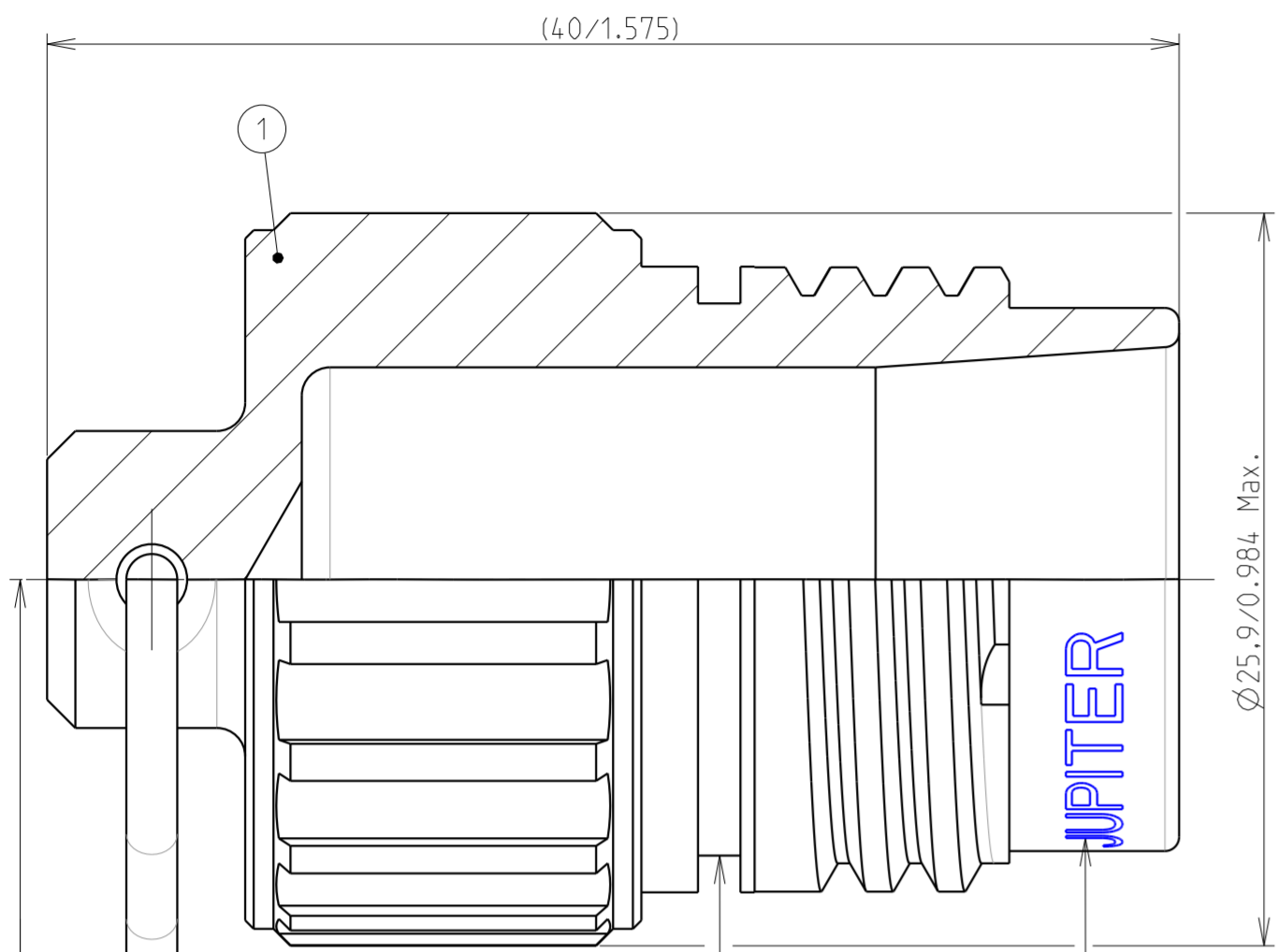


Country	Jurisdiction & Control List
FR	NOT LISTED

	critical dimension
	major dimension



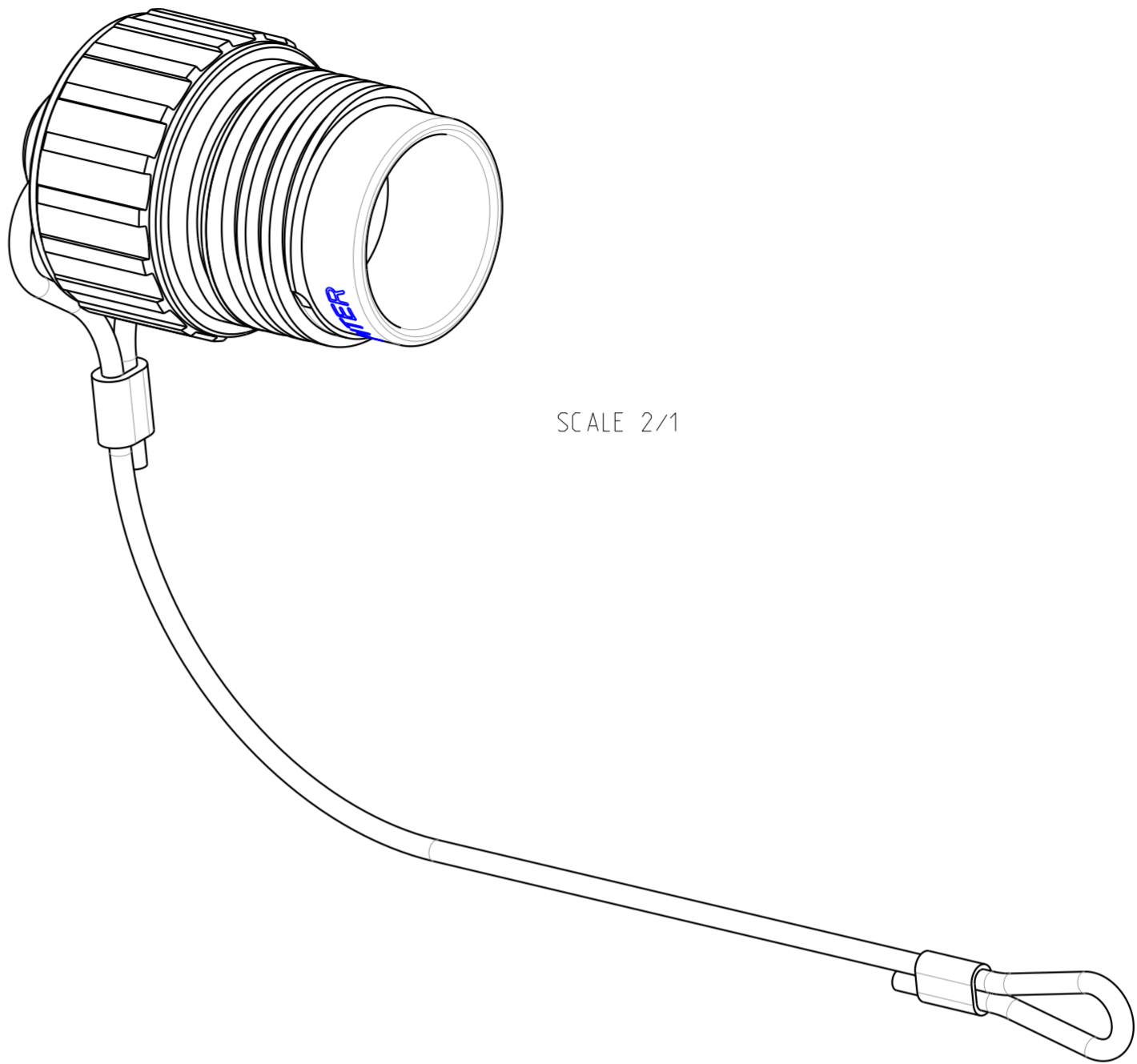
Bande témoin d'accouplement
Mating witness marking

MARQUAGE/MARKING

**** JUPITER FR BEF10PLY
 SEMAINE/WEEK
 ANNEE/YEAR

REFERENCE COMMERCIALE PART NUMBER	
BEF10PLY	(Sans cordelette / Without fixing rope)
BEFC10PLY	(Avec cordelette / With fixing rope)

SCALE 2/1



4	COLLIER / COLLAR
3	MANCHON / SLEEVE
2	CORDELETTE / FIXING ROPE
1	BOUCHON DE FICHE / PLUG CAP
REP	DESIGNATION

N1 : UNIQUEMENT POUR LA REFERENCE BEFC10PLY
 ONLY FOR PART NUMBER BEFC10PLY

B	22/06/18	Modification référence commerciale	S.Yakoubi	MEFFRE	DE-2018-0140
A	21/09/16	Initial drawing	ORAIN	MEFFRE	DIFF
Iss	Date	MODIFICATIONS	Designed by	Checked by	MOD N°

MATERIAL --	TREATMENT	PROTECTION/PLATING
--	--	--
--	--	CODE --

DIMENSIONS ARE DEFINED BEFORE PLATING		
TITLE	BOUCHON DE FICHE (BEF) / PLUG CAP (BEF) SERIE PL - TAILLE 10	PROJECT PL54

Material Reference Voir Référence Commerciale / See Part Number		SOURIAU	
Generales tolerances ISO 2768		3. RUE DU VALLON ZAC N°2 94440 MAROLLES-EN-BRIE (FRANCE) TEL. 33 (0)1 45 10 78 00	
Scale 4/1	General machining Surface texture	SOURIAU	
Geometrical Tolerances: NF EN ISO 1101		FORMAT A2	SOURIAU DRG N° 542B1030B9C
This document is the property of SOURIAU it must not be reproduced or communicated without permission.		Iss B	SHEET 1/1

