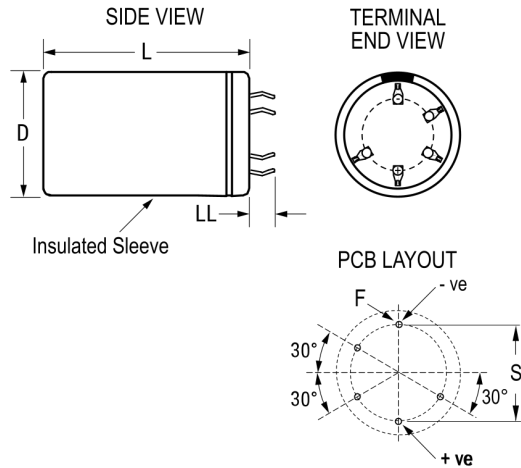


## ALC80H823FP040

Aliases (A547JW823M040H)

ALC80, Aluminum Electrolytic, 82,000 uF, 20%, 40 VDC, -40/+105°C



Click [here](#) for the 3D model.

### Dimensions

|    |               |
|----|---------------|
| D  | 45mm +1mm     |
| L  | 105mm +/-2mm  |
| S  | 25mm +/-0.1mm |
| LL | 4mm +/-1mm    |
| F  | 2mm +/-0.1mm  |

### Packaging Specifications

|           |           |
|-----------|-----------|
| Sleeving  | Yes       |
| Packaging | Bulk, Bag |

### General Information

|                  |                                      |
|------------------|--------------------------------------|
| Series           | ALC80                                |
| Dielectric       | Aluminum Electrolytic                |
| Description      | Snap-In, Aluminum Electrolytic       |
| RoHS             | Yes                                  |
| Lead             | 5 Pin Short                          |
| AEC-Q200         | No                                   |
| Halogen Free     | Yes                                  |
| Component Weight | 225 g                                |
| Notes            | Dimensions D And L Include Sleeving. |
| Shelf Life       | 156 Weeks                            |

### Specifications

|                       |  |
|-----------------------|--|
| Capacitance           | 82,000 uF  |
| Capacitance Tolerance | 20%  |
| Voltage DC            | 40 VDC, 46 VDC (Surge)   |
| Temperature Range     | -40/+105°C   |
| Rated Temperature     | 105°C  |
| Life                  | 9000 Hrs (Rated Voltage and Ripple Current at 105C), 14000 Hrs (Rated Voltage at 105C) |
| Resistance            | 9.944 mOhms (100Hz 20C), 8.695 mOhms (10kHz 20C)                                       |
| Ripple Current        | 18.33 Amps (100Hz 105C), 20.56 Amps (10kHz 105C)                                       |
| Leakage Current       | 6000 uA (5min 20°C)  |