
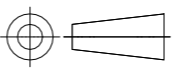


REVISIONS					
P	LTR	DESCRIPTION	DATE	DWN	APVD
	C	RESIN SUPPLIER CHANGE FOR THE HOUSING	17MAY2022	SCB	PS

PACKAGING AND PRODUCT DETAILS:

PIN HEADER PACKED IN TUBE: SEE DRAWING 966269 (CONTACT AREA PdNi+GOLD FLASH)
 PIN HEADER PACKED IN BLISTER: SEE DRAWING 1241050 (CONTACT AREA PdNi+GOLD FLASH)

THIS DRAWING IS A CONTROLLED DOCUMENT.		DWN A.HO 01.02.93	 TE Connectivity		
DIMENSIONS: mm		CHK M.SCHAARSCHMIDT 08.07.93			
		APVD -	NAME AMPMODU II STIFTLISTE ZWEIREIHIG,SMD-VERSION		
TOLERANCES UNLESS OTHERWISE SPECIFIED:		PRODUCT SPEC -	APPLICATION SPEC -		
0 PLC ± -		WEIGHT -	SIZE A3	CAGE CODE 00779	DRAWING NO C-966709
1 PLC ± -		RESTRICTED TO -			
2 PLC ± -		CUSTOMER DRAWING			
3 PLC ± -		SCALE -	SHEET 1 OF 1		REV C
4 PLC ± -					
ANGLES ± -					
MATERIAL -					
FINISH -					