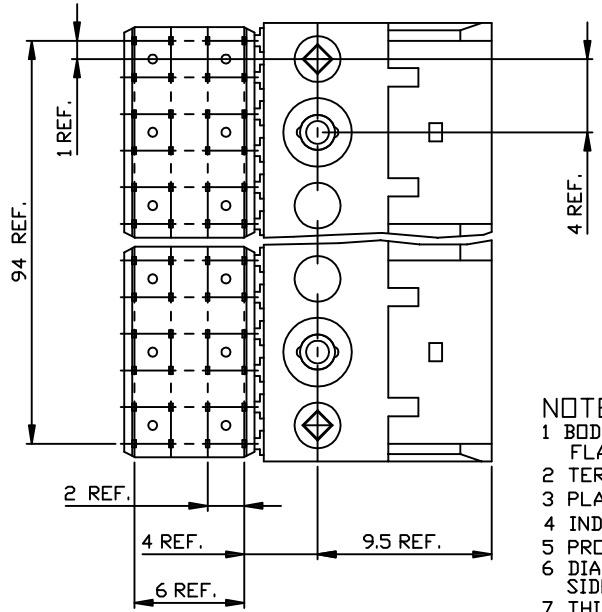
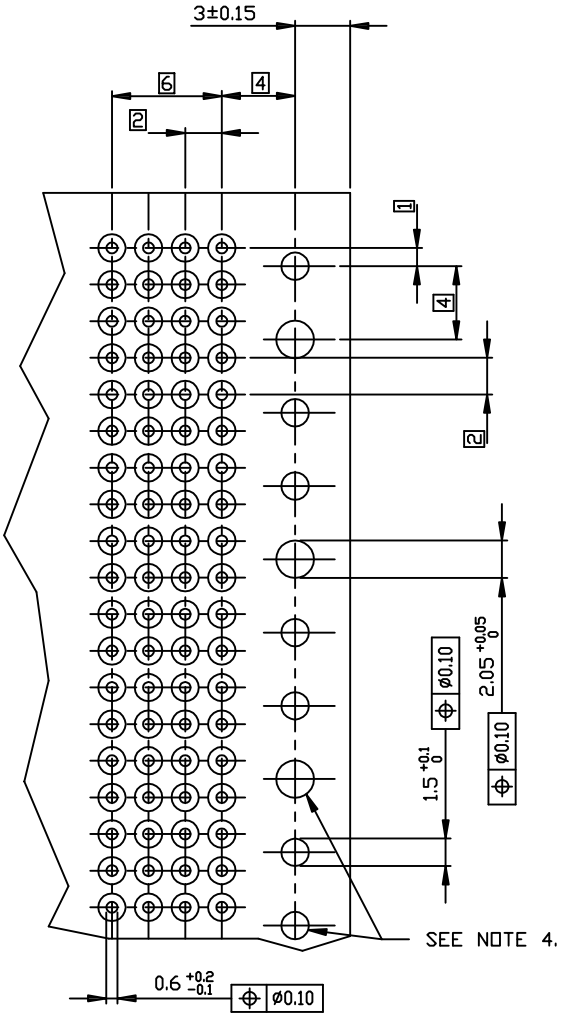
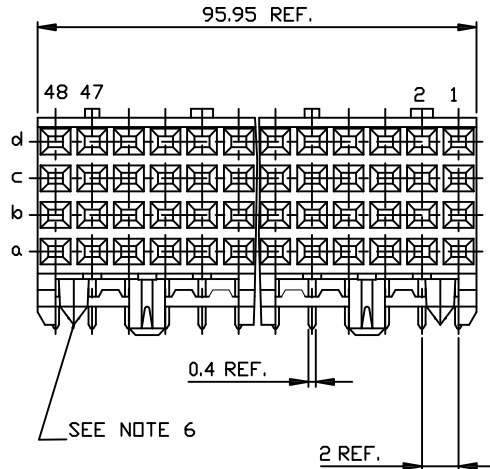
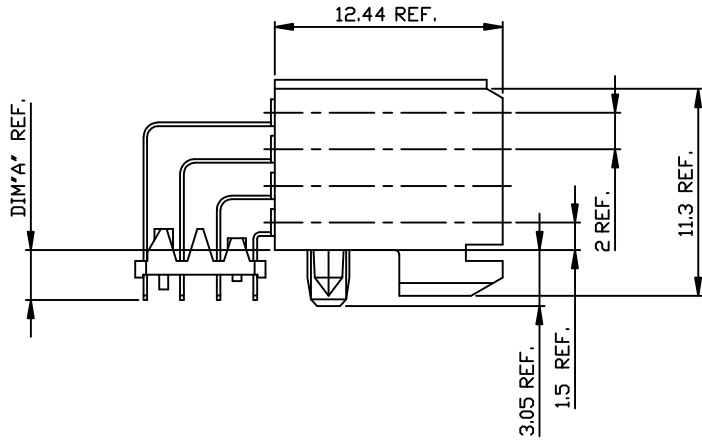
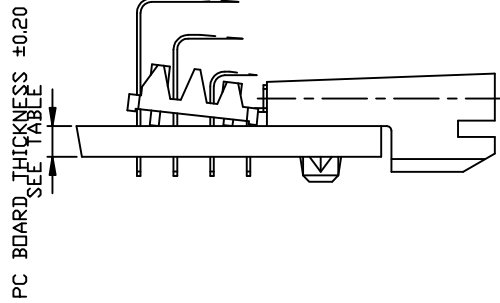


PC BOARD VERSIONS		
PRODUCTNR:	PCB THICKNESS	DIM'A'
89038-X01/X01LF	1.6	2.90
89038-X11/X11LF	2.4	3.53



PRODUCT AFTER PC BOARD APPLICATION.



- NOTES:
- 1 BODY MAT'L: LIQUID CRYSTAL POLYMER 30% GLASS FLAME RETARDANT ACC. UL 94-V0
  - 2 TERMINAL MATERIAL: PHOSPHOR BRONZE.
  - 3 PLATING SOLDER TAILS 2-8 μm SnPb 90-97 OR 2-8 μm PURE Sn
  - 4 INDICATED HOLES ARE UNPLATED.
  - 5 PRODUCT MARKING: PART NUMBER & BATCH ID.
  - 6 DIAMOND LOCATION PEG ARE ONLY EXISTED ON THE BOTH T. SIDES OF PRODUCT
  - 7 THIS PRODUCT MEETS EUROPEAN UNION DIRECTIVES AND OTHER COUNTRY REGULATIONS AS DESCRIBED INGS-22-008.
  - 8 THE HOUSING WILL WITHSTAND EXPOSURE TO 260 DEGREE PEAK TEMPERATURE FOR 10 SECONDS IN A WAVE SOLDER APPLICATION.

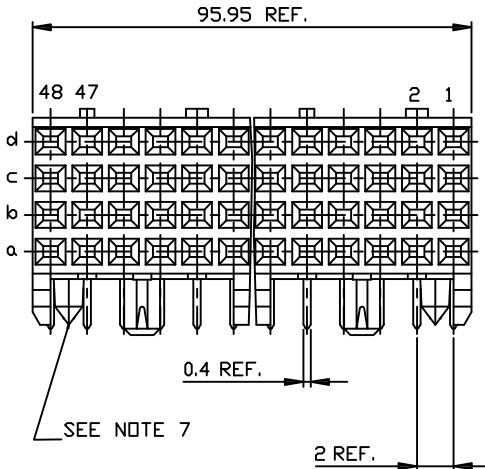
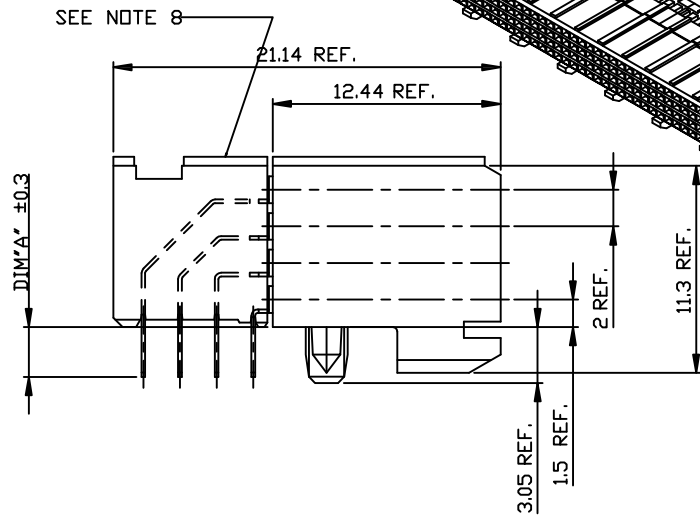
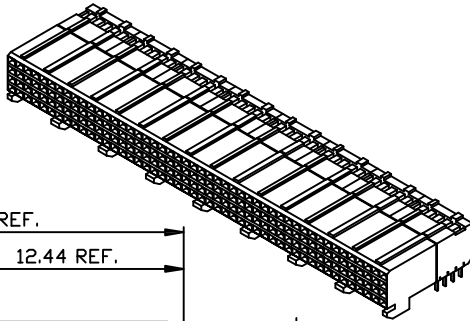
RECOMMENDED HOLE PATTERN, COMPONENT SIDE.

All rights strictly reserved. Reproduction or use in any form without written authority from the proprietor. Property of F.C.I. S.A. © F.C.I. S.A.

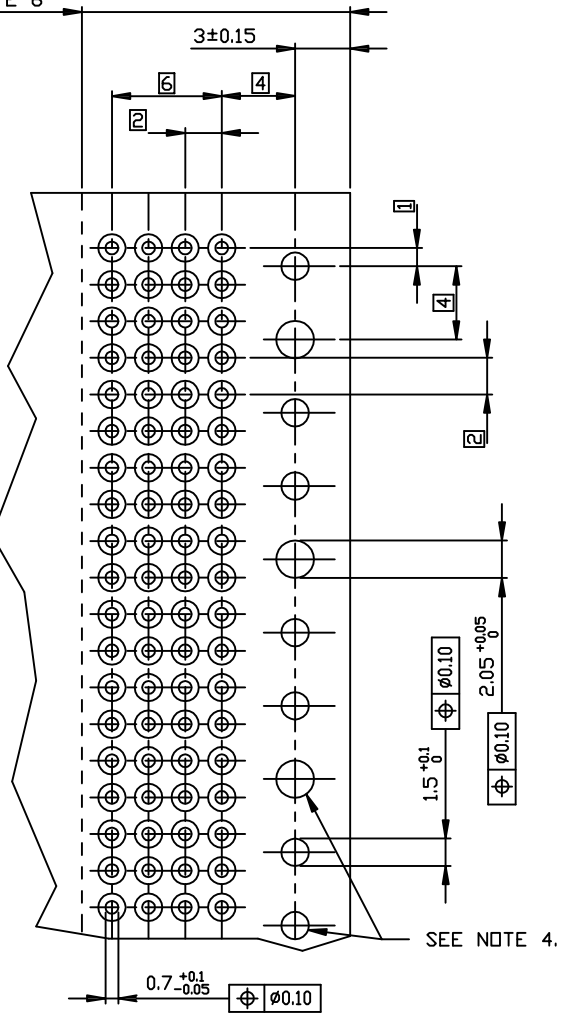
PLATING CONTACT AREA:	
DASH NR:	PERFORMANCE LEVEL:
-1YY/1YYLF	TELCORDIA CO
-2YY/2YYLF	CUSTOMER SPECIAL
-3YY/3YYLF	CUSTOMER SPECIAL
-9YY/9YYLF	TELCORDIA CO

mat'l. code		tolerances unless otherwise specified		CUSTOMER COPY		FCI	
ltr	ecn	nbr	date	linear	projection	title RA FEMALE SIGNAL	
J	0604	004	04/22/01			www.fciconnect.com	
K	0606	0478	05/23/06			96 mm PRESS PEG	
L	0607	0471	05/25/07	angles		product family METRAL(tm)	
M	0608	0471	08/26/08	dir	H.Boulinegnet	930202	code 213
				engr	H. Boulinegnet	940311	size
G	V00578	LLA	000316	chr	S.Lee	930203	scale A2
H	V00847	LLA	000530	appd	J.Vintjes	930203	89038
sheet	revision	N	M	M			1 of 3
Index	sheet	1	2	3			

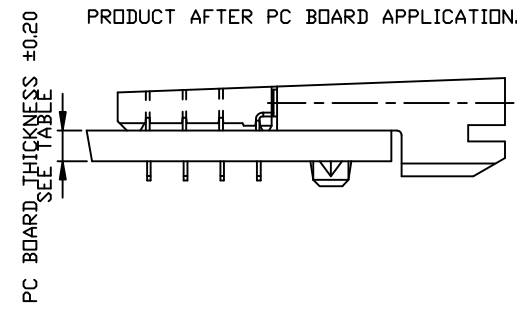
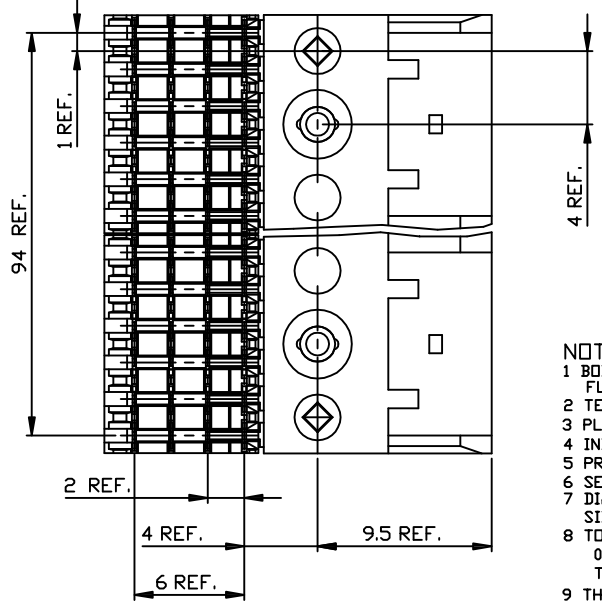
PC BOARD VERSIONS		
PRODUCTNR:	PCB THICKNESS	DIM*A*
89038-X02/X02LF	1.6	2.90
89038-X12/X12LF	2.4	3.53



14.64 REF. SEE NOTE 6



RECOMMENDED HOLE PATTERN, COMPONENT SIDE.



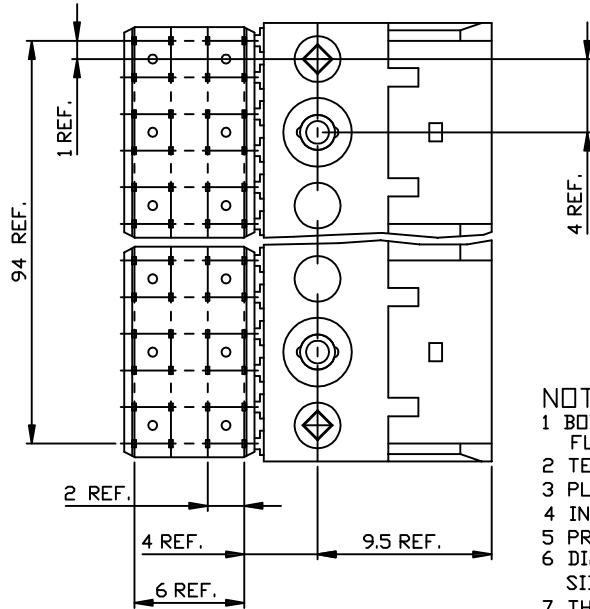
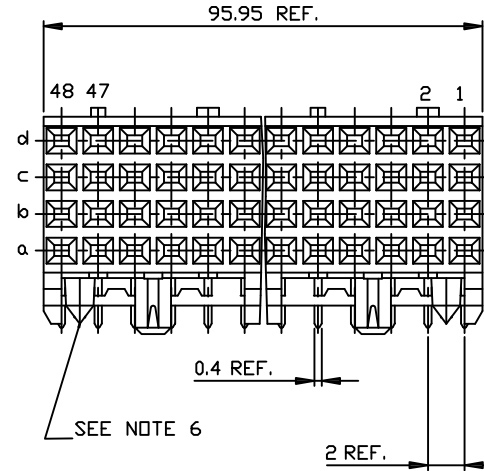
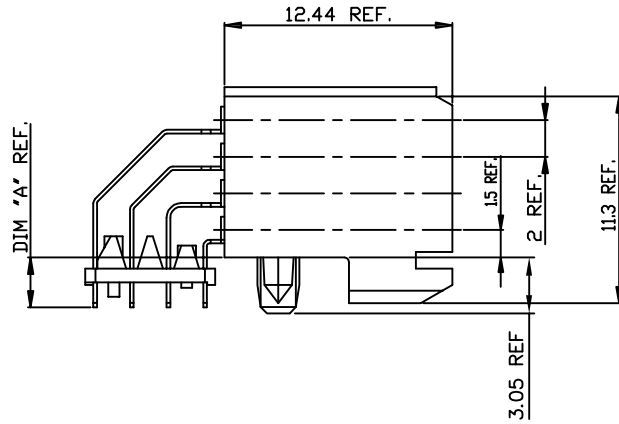
- NOTES:
- BODY MAT'L: LIQUID CRYSTAL POLYMER 30% GLASS  
FLAME RETARDANT ACC. UL 94-V0
  - TERMINAL MATERIAL: PHOSPHOR BRONZE.
  - PLATING SOLDER TAILS 2-8 μm SnPb 90-97 OR 2-8 μm PURE Sn
  - INDICATED HOLES ARE UNPLATED.
  - PRODUCT MARKING: PART NUMBER & BATCH ID.
  - SET BACK FOR PRESS BLOCK.
  - DIAMOND LOCATION PEG ARE ONLY EXISTED ON THE BOTH SIDES OF PRODUCT.
  - TOP SURFACE OF PRESS BLOCK MAY EXTEND UP TO 0.4MM HIGHER THAN HOUSING. THIS MAY AFFECT THE TAIL LENGTH BEFORE APPLICATION TO A BOARD
  - THIS PRODUCT MEETS EUROPEAN UNION DIRECTIVES AND OTHER COUNTRY REGULATIONS AS DESCRIBED IN GS-22-008
  - THE HOUSING WILL WITHSTAND EXPOSURE TO 260DEGREE PEAK TEMPERATURE FOR 10 SECONDS IN A WAVE SOLDER APPLICATION.

PLATING CONTACT AREA:	
DASH NR:	PERFORMANCE LEVEL:
-1YY/1YYLF	TELCORDIA CO
-2YY/2YYLF	CUSTOMER SPECIAL
-3YY/3YYLF	CUSTOMER SPECIAL
-9YY/9YYLF	TELCORDIA CO

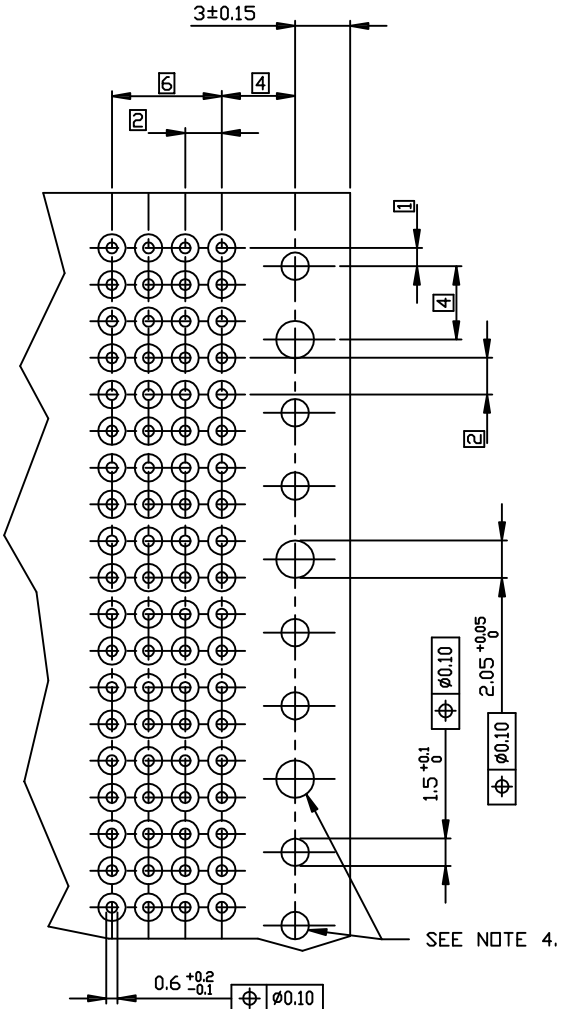
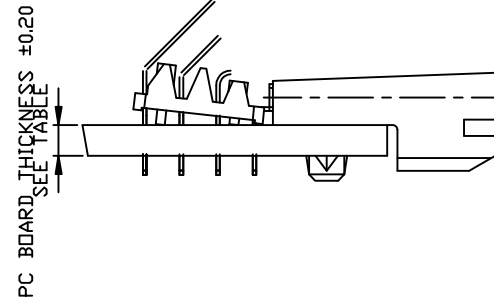
mat'l. code	tolerances unless otherwise specified	CUSTOMER COPY	 www.fciconnection.com
ltr.ecn no.dr date	linear	projection	
M	angles		title RA FEMALE SIGNAL size 96 mm PRESS PEG product family METRAL(tm) code 213 sheet 2 of 2
sheet revision	dr. D. de Bl. 970529	mm	scale A2 89038
Index	engr. P. Schalk 970529	5d	
	chr. P. Schalk 970529		
	app. H. Coolmans 970529		

All rights strictly reserved. Reproduction or use in any form without written authority from the proprietor. FCI Inc.

PC BOARD VERSIONS		
PRODUCTNR:	PCB THICKNESS	DIM 'A'
89038-X03/X03LF	1.6	2.90
89038-X13/X13LF	2.4	3.53



PRODUCT AFTER PC BOARD APPLICATION.



RECOMMENDED HOLE PATTERN, COMPONENT SIDE.

NOTES:

- 1 BODY MAT'L: LIQUID CRYSTAL POLYMER 30% GLASS  
FLAME RETARDANT ACC. UL 94-V0
- 2 TERMINAL MATERIAL: PHOSPHOR BRONZE.
- 3 PLATING SOLDER TAILS 2-8 μm SnPb 90-97 OR 2-8 μm PURE Sn
- 4 INDICATED HOLES ARE UNPLATED.
- 5 PRODUCT MARKING: PART NUMBER & BATCH ID.
- 6 DIAMOND LOCATION PEG ARE ONLY EXISTED ON THE BOTH SIDES OF PRODUCT.
- 7 THIS PRODUCT MEETS EUROPEAN UNION DIRECTIVES AND OTHER COUNTRY REGULATIONS AS DESCRIBED IN GS-22-008.
- 8 THE HOUSING WILL WITHSTAND EXPOSURE TO 260DEGREE PEAK TEMPERATURE FOR 10 SECONDS IN A WAVE SOLDER APPLICATION.

PLATING CONTACT AREA:

DASH NR:	PERFORMANCE LEVEL:
-1YY/1YYLF	TELCORDIA CD
-2YY/2YYLF	CUSTOMER SPECIAL
-3YY/3YYLF	CUSTOMER SPECIAL
-9YY/9YYLF	TELCORDIA CD

mat'l. code		tolerances unless otherwise specified		CUSTOMER COPY		FCJ	
ltr	ecn	no	date	linear	projection	title RA FEMALE SIGNAL	
				angles	⊕	96 mm PRESS PEG	
				dir	Heaven Cen	11/23/06	product family METRAL(tm)
				eng	Collins Lu	11/23/06	code 213
				chr	Beer Fu	11/23/06	size dwg no
				app	Joseph Hsle	11/23/06	scale 5d
sheet	revision			mm	A2	89038	sheet 3 of-
Index	sheet						

All rights strictly reserved. Reproduction or issue in any form without written authority from the proprietor. FCJ Inc.