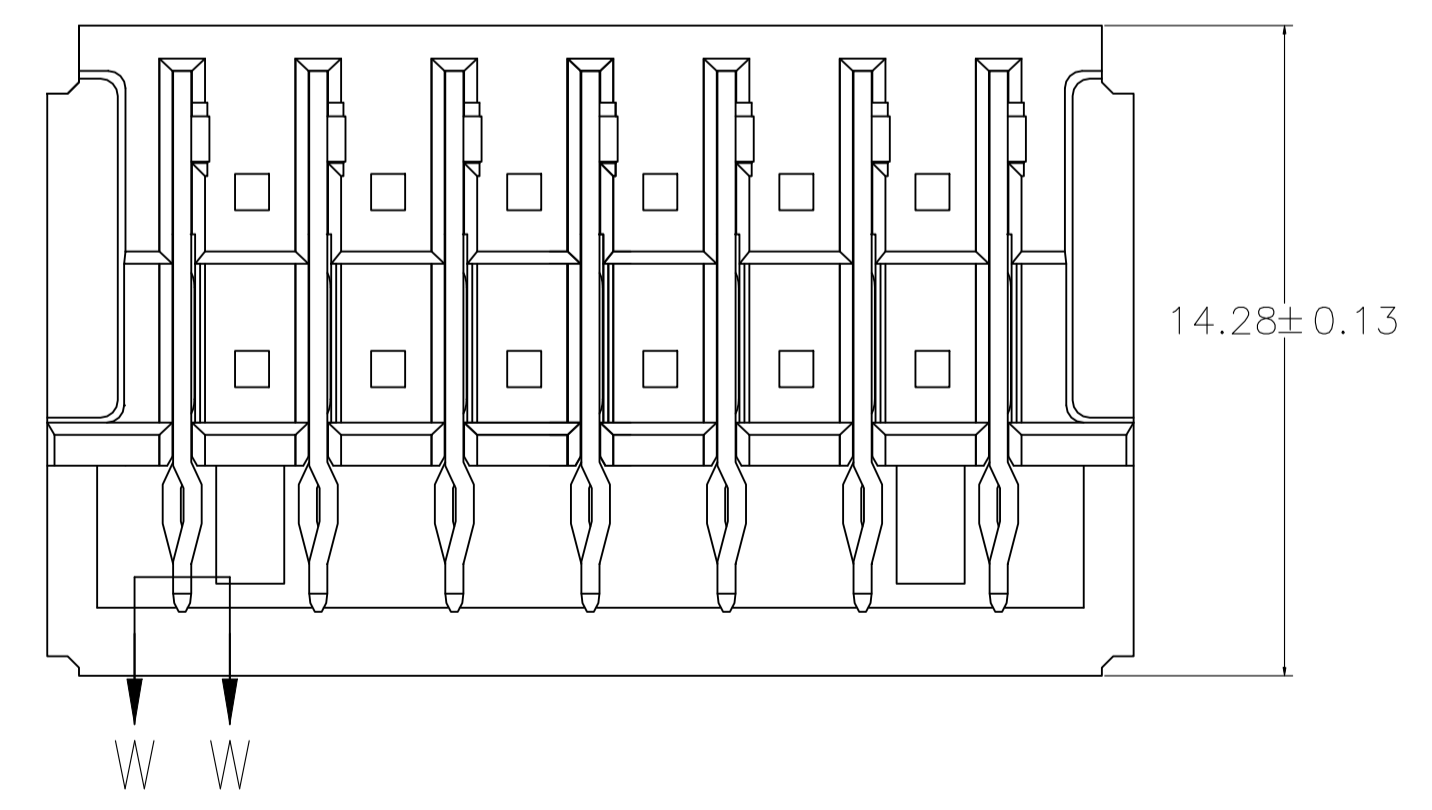
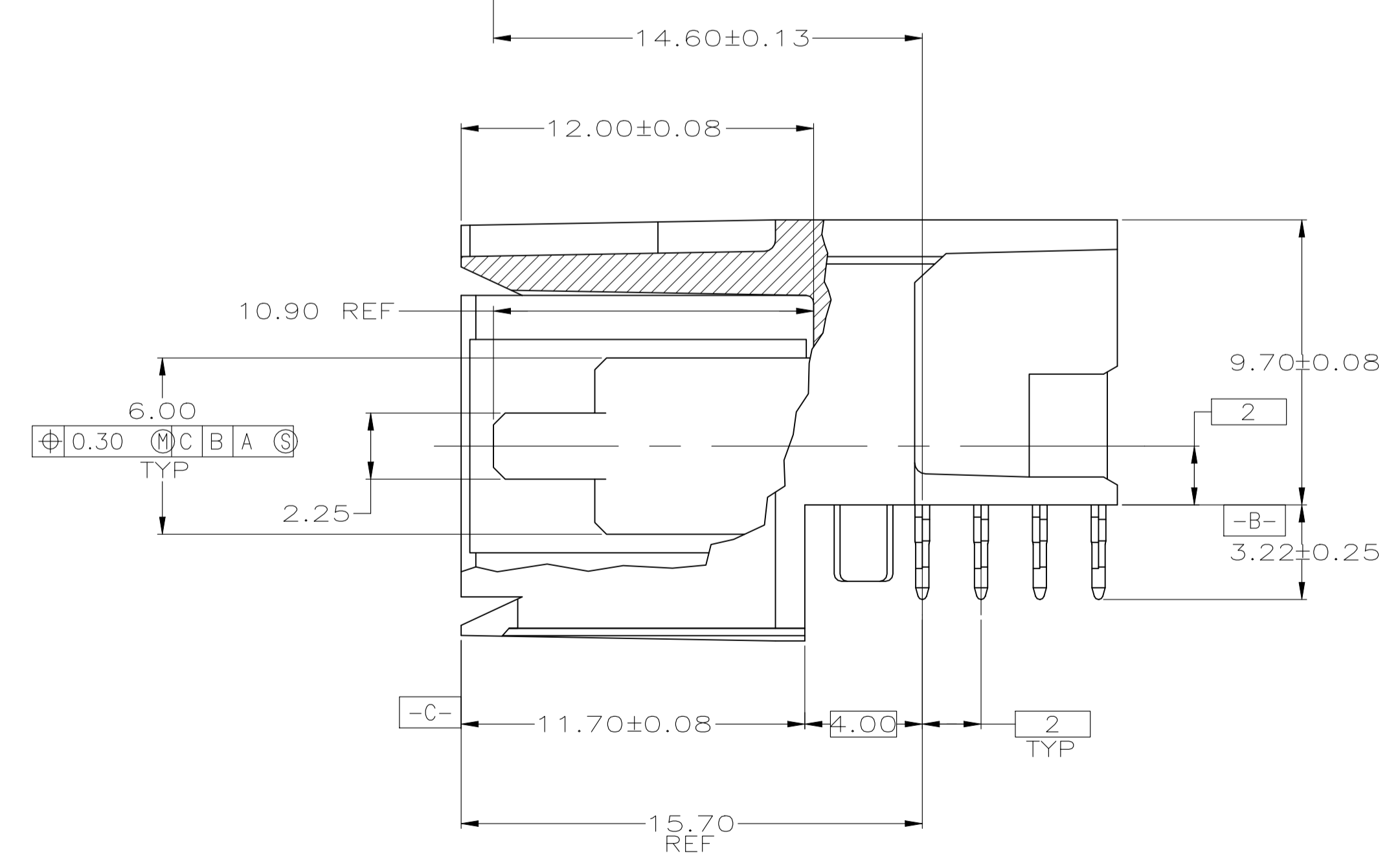
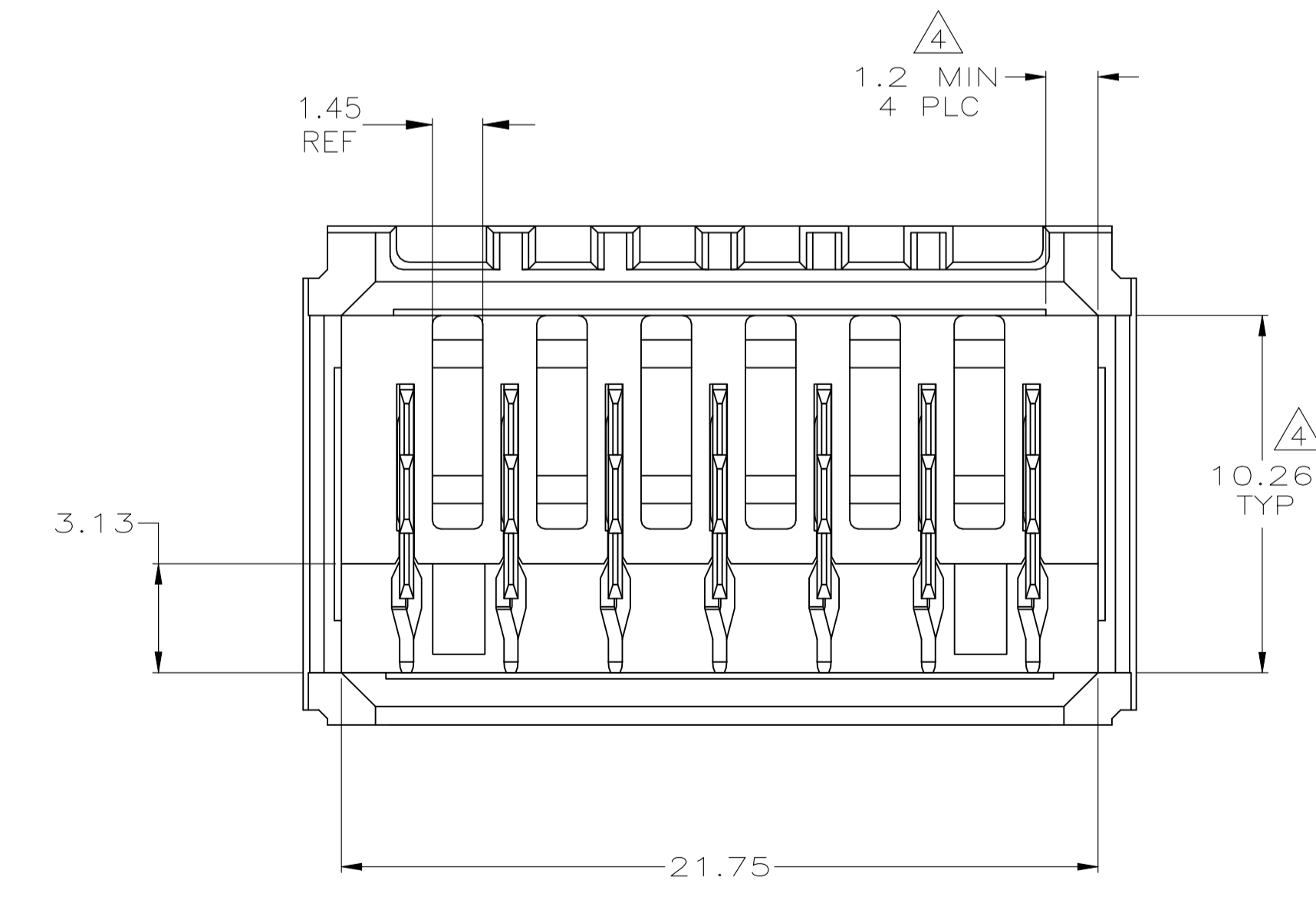
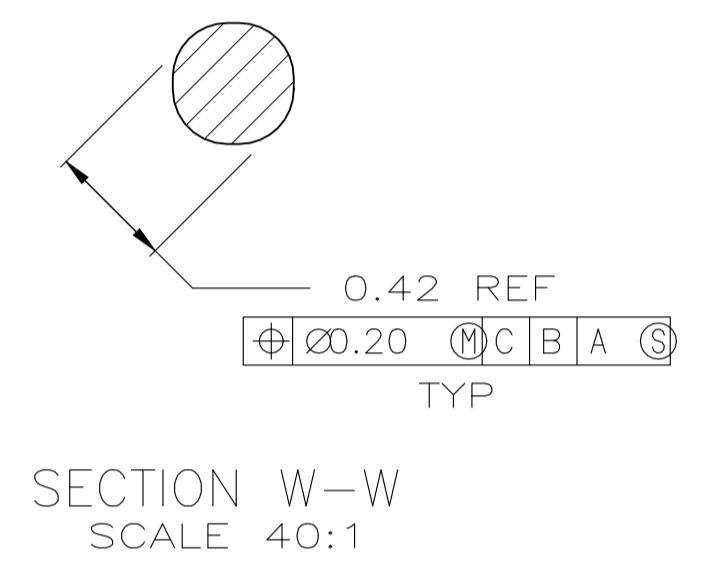


- 1 MATERIAL: HOUSING: POLYESTER. COLOR: GRAY. UL 94V-0. CONTACT: COPPER ALLOY.
- 2 FINISH: IN ACCORDANCE WITH PRODUCT SPECIFICATION 108-1651, GOLD PLATING OR EQUIVALENT PLATING ON PRODUCT CONTACT MATING AREA, AND MATTE TIN PLATING ON COMPLIANT PIN AREA, ALL OVER MATTE NICKEL UNDERPLATED. DETAIL PLEASE REFER TO PRODUCT SPECIFICATION 108-1651.
- 3 FINISH: CONTACT LUBRICATION WITH BELLCORE APPROVED LUBRICANT. TECHNICAL REFERENCE: GR-1217-CORE, ISSUE 1, NOVEMBER 1995.
- 4 THE 10.26±0.13 DIMENSION APPLIES IN THIS AREA.
- 5 REFERENCE APPLICATION SPEC 114-1103 FOR RECOMMENDED PLATED THRU HOLE DIAMETER AND PLATING THICKNESS.
- 6. CURRENT RATING 10A/CONTACT PER PRODUCT SPEC 108-1651.



DELETED

2/3	-	A,B,C,D,E,F,G	-	7	5646957-5
2/3	F,G	A,B	C,D,E	7	5646957-4
2/3	A,D,G	-	B,C,E,F	7	5646957-3
2/3	A	B	C,D,E,F,G	7	5646957-2
2/3	A,B,C,D,E,F,G	-	-	7	5646957-1
FINISH	POSITIONS LOADED WITH 10.90 REF CONTACTS	POSITIONS LOADED WITH 9.30 REF CONTACTS	POSITIONS LOADED WITH 7.68 REF CONTACTS	NO OF LOADED POSITIONS	PART NUMBER

THIS DRAWING IS A CONTROLLED DOCUMENT.

DIMENSIONS: mm	TOLERANCES UNLESS OTHERWISE SPECIFIED:	DIN R. CARBO 150EC04	Tyco Electronics Corporation
0 PLC ± -	1 PLC ± 0.13	CHK R. PATTERSON 150EC04	Harrisburg, Pa 17105-3608
2 PLC ± -	3 PLC ± -	APVD R. PATTERSON 150EC04	NAME
4 PLC ± -	ANGLES ± -	PRODUCT SPEC	ASSEMBLY, RIGHT ANGLE HEADER, W/ RETENTION PEGS, UNIVERSAL POWER MODULE
		APPLICATION SPEC	SIZE CASE CODE DRAWING NO
		114-1103	A1 00779 C=5646957
		WEIGHT	RESTRICTED TO
		CUSTOMER DRAWING	SCALE 6:1 SHEET 1 of 1 REV D.3