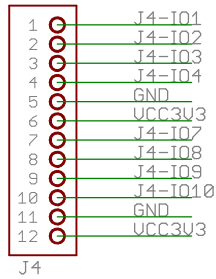
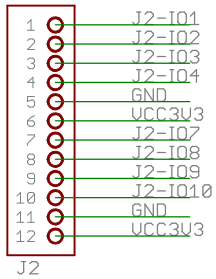
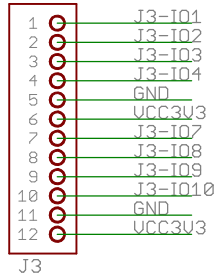
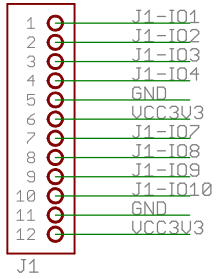
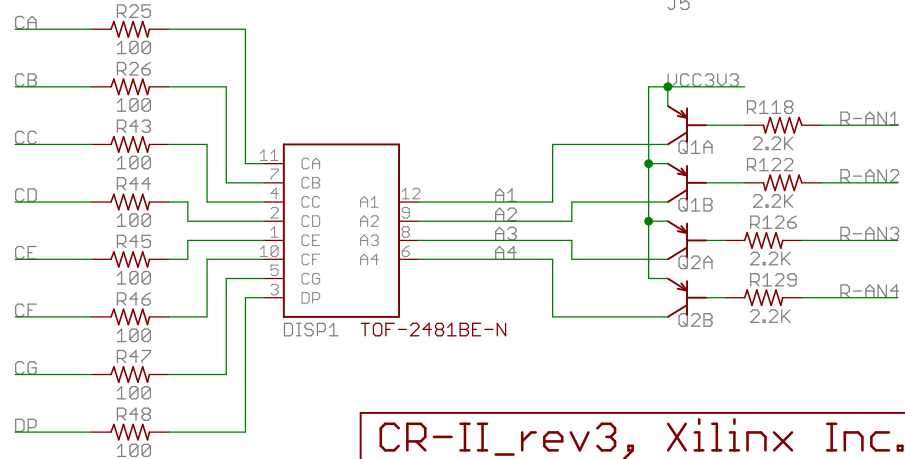
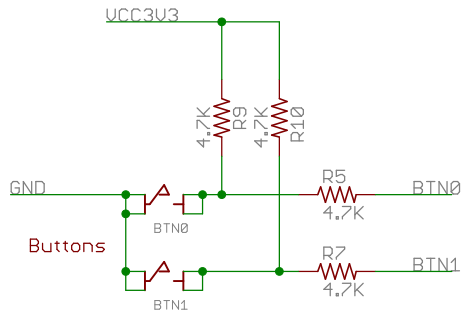
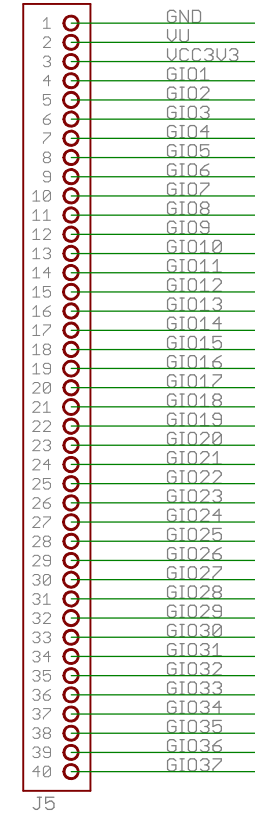
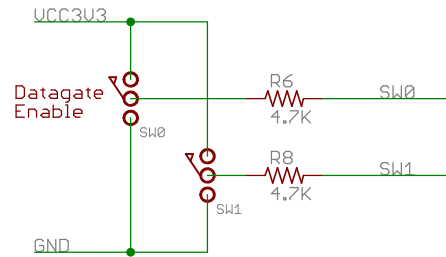
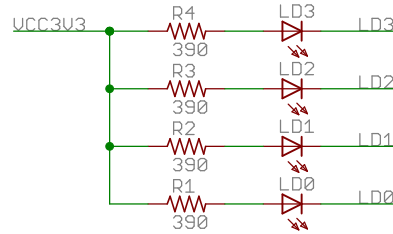


Pmod Connectors

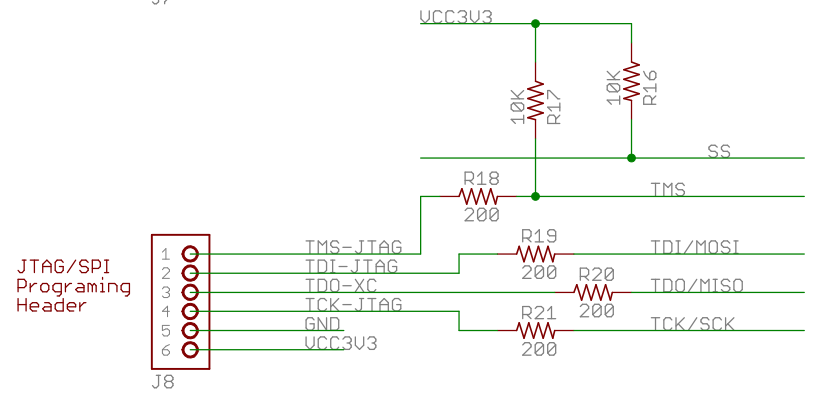
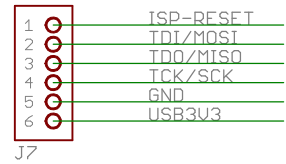
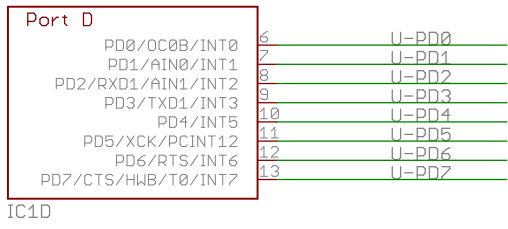
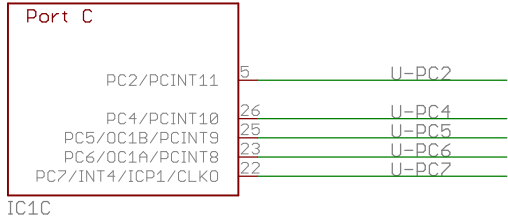
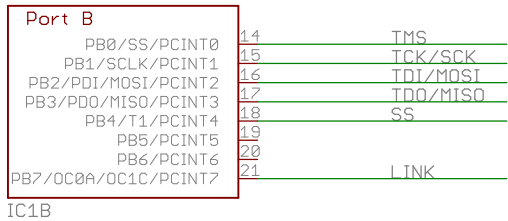
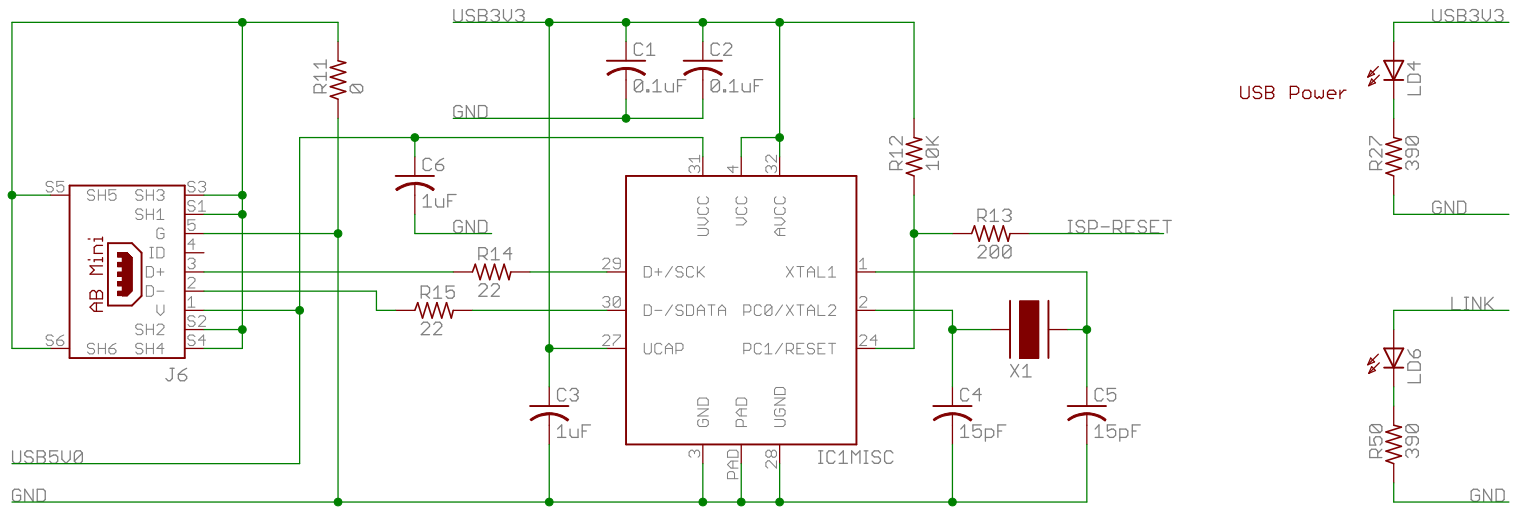


LEDs



CR-II_rev3, Xilinx Inc.		Engineer: CC
Copyright 2011		Author: GMA
SHEET: General IO		Rev: F.0
TITLE: CR-II		Doc#: 500-146
Date: 7/27/2011		Sheet: 1/4

# Atmel AT90USB162 USB Interface



<b>CR-II_rev3, Xilinx Inc.</b>		Engineer: CC
Copyright 2011		Author: GMA
SHEET: USB and Programming		Rev: F.0
TITLE: CR-II		Doc#: 500-146
Date: 7/27/2011		Sheet: 2/4

Xilinx CoolRunner 2

JTAG/POWER

TMS	65	TMS
TDI	63	TDI/MOSTI
TDO	122	TDO/MISO
TCK	67	TCK/SCK

JTAG Interface

UCC*1	1	UCC1U8
UCC*2	37	
UCC*3	84	
UCCI01*1	27	UCC3U3
UCCI01*2	55	
UCCI01*3	73	
UCCI01*4	93	
UCCI02*1	109	UCC3U3
UCCI02*2	127	
UCCI02*3	141	
UAUX	8	UCC3U3
GND*1	29	
GND*2	36	
GND*3	47	
GND*4	62	
GND*5	72	
GND*6	89	
GND*7	90	
GND*8	99	
GND*9	108	
GND*10	123	
GND*11	144	GND

Power

Bank 2

I00103/GSR	143	BTN0
I00104	142	J2-I01
I00106	140	J2-I07
I00112	139	J2-I02
I00113	138	J2-I08
I00114	137	
I00201/GTS2	2	J1-I010
I00203/GTS3	3	J1-I04
I00204	4	J1-I09
I00205/GTS0	5	J1-I03
I00212/GTS1	6	J1-I08
I00213	7	J1-I02
I00214	9	J1-I07
I00215	10	J1-I01
I00301	136	J2-I03
I00302	135	J2-I09
I00303	134	J2-I04
I00305	133	J2-I010
I00314	132	
I00316	131	
I00401	11	
I00402	12	
I00403	13	GI027
I00404	14	GI028
I00405	15	GI029
I00406	16	GI030
I00412	17	GI031
I00414	18	GI032

FB 1-4

IC2

Bank 1

I00502	33	
I00504/GCK1	32	XCCLK
I00505	31	
I00506/GCK0	30	
I00514	28	
I00601	34	
I00602/CDRST	35	U-PC4
I00604/GCK2	38	CLK
I00612/DGE	39	SW0
I00613	40	U-PC5
I00614	41	U-PC6
I00615	42	U-PC7
I00616	43	
I00705	26	U-PD0
I00706	25	U-PD1
I00711	24	U-PD2
I00712	23	U-PD3
I00713	22	U-PD4
I00714	21	U-PD5
I00715	20	U-PD6
I00716	19	U-PD7
I00801	44	GI026
I00802	45	GI025
I00803	46	GI024
I00805	48	GI023
I00806	49	GI022
I00811	50	GI021
I00812	51	GI020
I00813	52	GI019

FB 5-8

XC2C256/144-TQ144

Bank 2

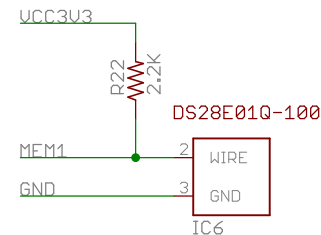
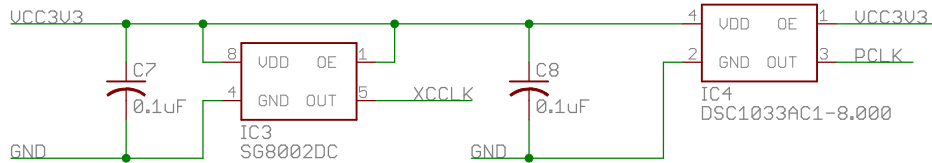
I00901	112	J3-I010
I00902	113	J3-I04
I00904	114	J3-I09
I00906	115	J3-I03
I00912	116	J3-I08
I00913	117	J3-I02
I00914	118	J3-I07
I00915	119	J3-I01
I01001	111	GI037
I01002	110	GI036
I01003	107	GI035
I01004	106	GI034
I01005	105	GI033
I01006	104	J4-I01
I01012	103	J4-I07
I01014	102	J4-I02
I01016	101	J4-I08
I01105	120	
I01106	121	
I01111	124	SW1
I01112	125	MEM1
I01113	126	R-AN4
I01114	128	R-AN3
I01115	129	R-AN2
I01116	130	R-AN1
I01202	100	J4-I03
I01211	98	J4-I09
I01212	97	J4-I04
I01213	96	J4-I010
I01214	95	REG-RST
I01215	94	BTN1

FB 9-12

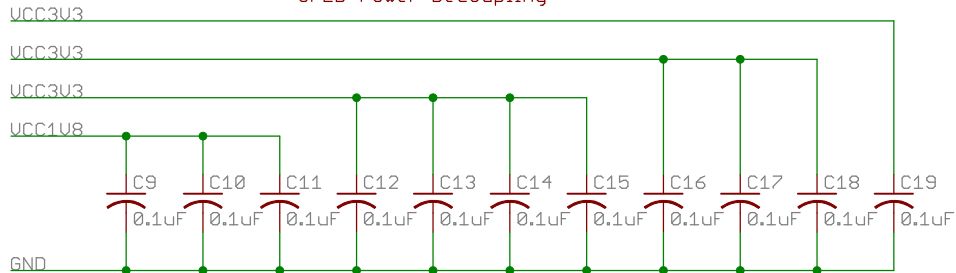
Bank 1

I01301	75	GI015
I01302	76	GI014
I01303	77	GI013
I01305	78	GI012
I01306	79	GI011
I01312	80	GI010
I01313	81	GI09
I01314	82	GI08
I01401	74	GI016
I01402	71	GI017
I01403	70	GI018
I01404	69	LD0
I01406	68	LD1
I01413	66	LD2
I01414	64	LD3
I01416	61	CG
I01502	83	GI07
I01511	85	GI06
I01512	86	GI05
I01513	87	GI04
I01514	88	GI03
I01515	91	GI02
I01516	92	GI01
I01605	60	CC
I01606	59	DP
I01611	58	CD
I01612	57	CF
I01613	56	CA
I01615	54	CF
I01616	53	CB

FB 13-16



CPLD Power Decoupling



CR-II\_rev3, Xilinx Inc.

Copyright 2011

Engineer: CC

SHEET: Coolrunner 2 and decoupling

Author: GMA

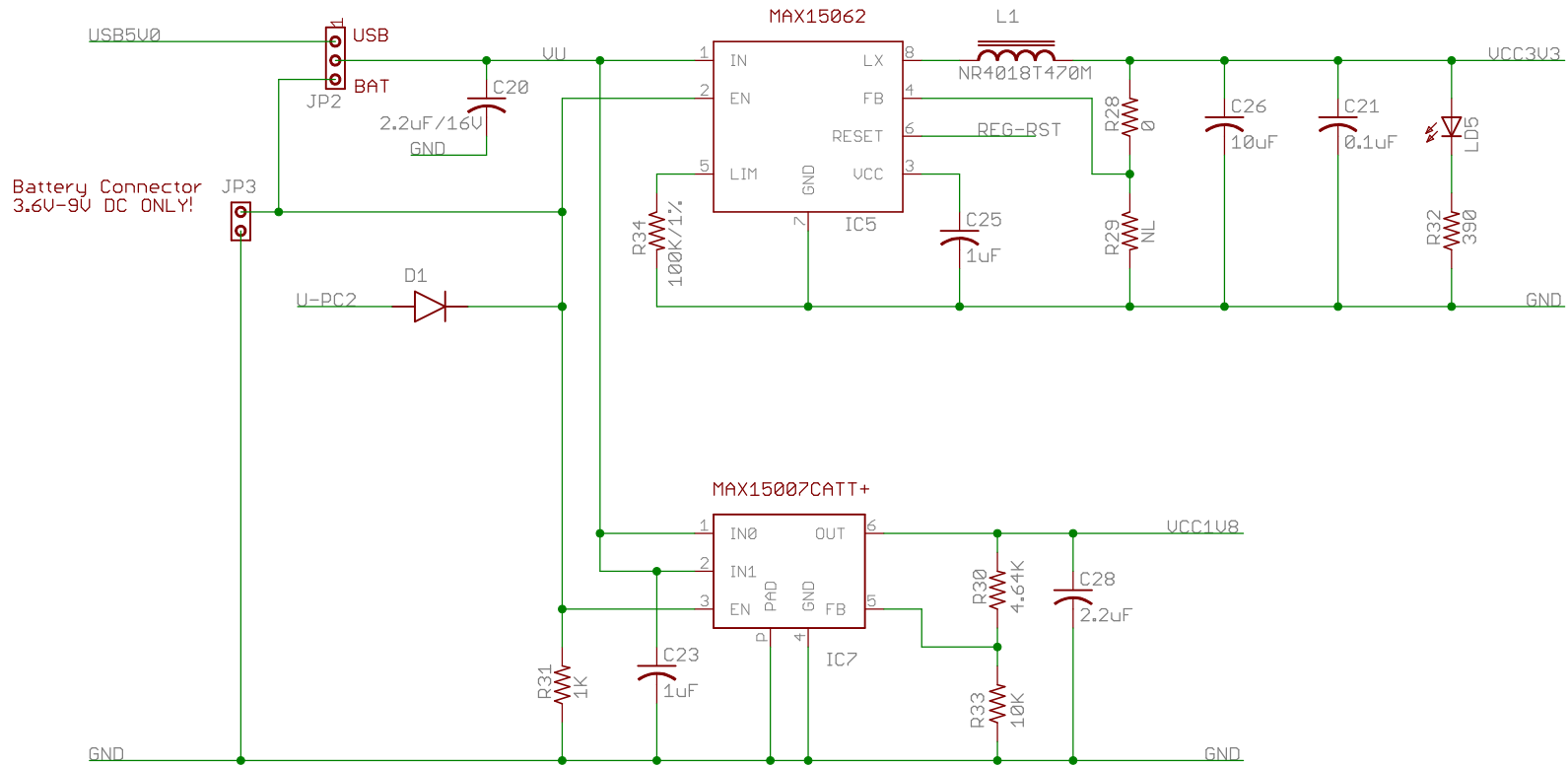
TITLE: CR-II

Rev: F.0

Doc#: 500-146

Date: 7/27/2011

Sheet: 3/4



CR-II_rev3, Xilinx Inc.	
Copyright 2011	Engineer: CC
SHEET: Regulator and Current/Temp Meter	Author: GMA
TITLE: CR-II	Rev: F.0
Doc#: 500-146	Date: 7/27/2011
	Sheet: 4/4